

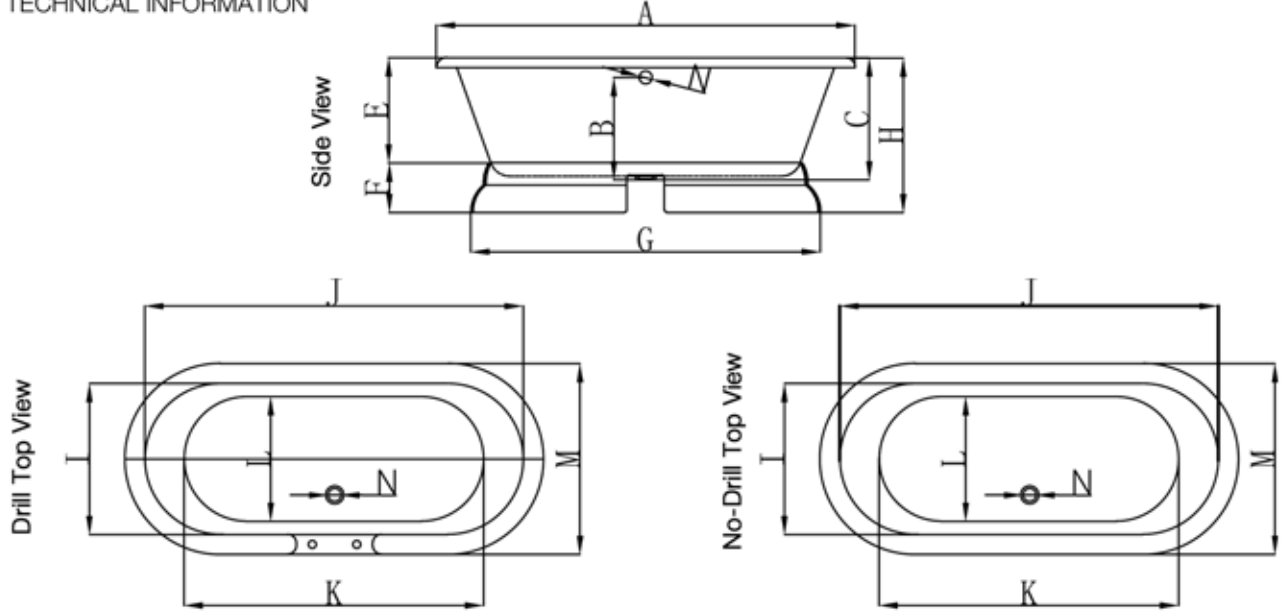


## Double Ended Pedestal Tub by Randolph Morris

Cast Iron

Item #: RM60DE0PED, RM60DE7PED, RM66DE0PED & RM66DE7PED

TECHNICAL INFORMATION



DIMENSIONS (INCHES)

	A	B	C	D	E	F	G	H	I	J	K	L	M	N
60	60	15	18	-	15 <sup>4</sup> / <sub>8</sub>	8 <sup>4</sup> / <sub>8</sub>	48 <sup>1</sup> / <sub>3</sub>	24	23 <sup>4</sup> / <sub>8</sub>	53 <sup>4</sup> / <sub>8</sub>	41 <sup>1</sup> / <sub>3</sub>	18	30	2
66	66	15	18	-	15 <sup>4</sup> / <sub>8</sub>	8 <sup>4</sup> / <sub>8</sub>	54 <sup>1</sup> / <sub>3</sub>	24	23 <sup>4</sup> / <sub>8</sub>	59 <sup>2</sup> / <sub>3</sub>	47 <sup>1</sup> / <sub>8</sub>	18	30	2

	60	66
EMPTY (LB)	372	297
FILLED (LB)	596	781
CAPACITY (GAL)	50	58
WATER DEPTH (IN)	15 <sup>4</sup> / <sub>8</sub>	15 <sup>4</sup> / <sub>8</sub>

Approximate Measurements  
\*Pedestal

All products and specifications are subject to change without notice. Randolph Morris is not responsible for typographical and/or dimensional errors. Typographical errors are subject to correction.

Note: Rough-in dimensions may vary +/- 1/2" and are subject to change. No responsibility is assumed by Randolph Morris.