

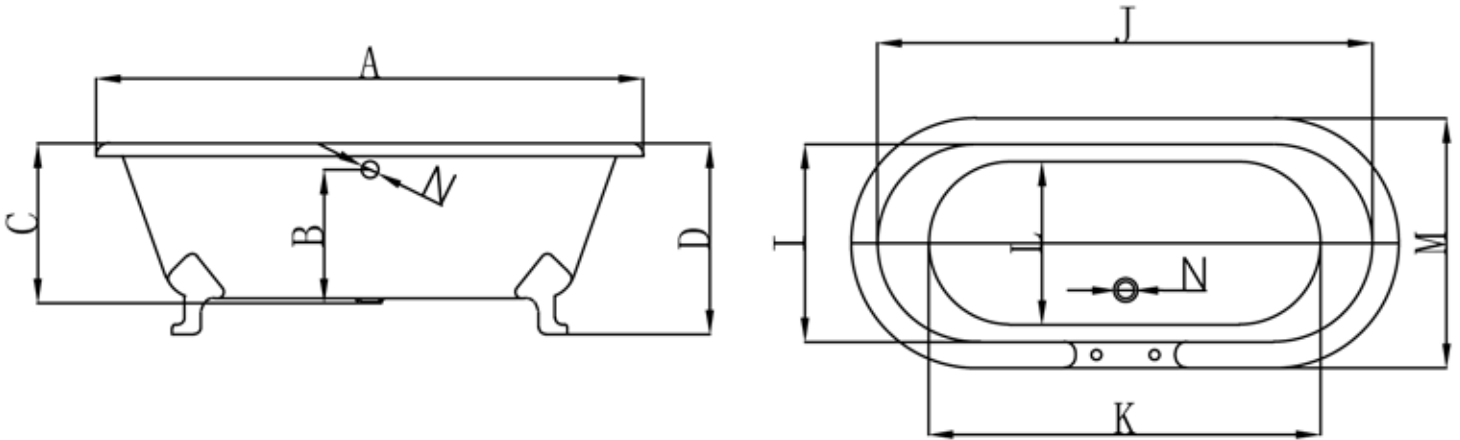


## Double Ended Clawfoot Tub by Randolph Morris

Cast Iron

Item #: RM60DE7 & RM66DE7

### TECHNICAL INFORMATION



### DIMENSIONS (INCHES)

	A	B	C	D	E	F	G	H	I	J	K	L	M	N
60	60	15	18	23 <sup>2</sup> / <sub>3</sub>	-	-	-	-	23 <sup>4</sup> / <sub>5</sub>	55 <sup>1</sup> / <sub>2</sub>	41 <sup>1</sup> / <sub>3</sub>	18	30	2
66	66	15	18	23 <sup>2</sup> / <sub>3</sub>	-	-	-	-	23 <sup>4</sup> / <sub>5</sub>	59 <sup>2</sup> / <sub>3</sub>	47 <sup>1</sup> / <sub>5</sub>	18	30	2

	60	66
EMPTY (LB)	-	337
FILLED (LB)	-	-
CAPACITY (GAL)	-	-
WATER DEPTH (IN)	-	16

Approximate Measurements

All products and specifications are subject to change without notice. Randolph Morris is not responsible for typographical and/or dimensional errors. Typographical errors are subject to correction.

Note: Rough-in dimensions may vary +/- 1/2" and are subject to change. No responsibility is assumed by Randolph Morris.