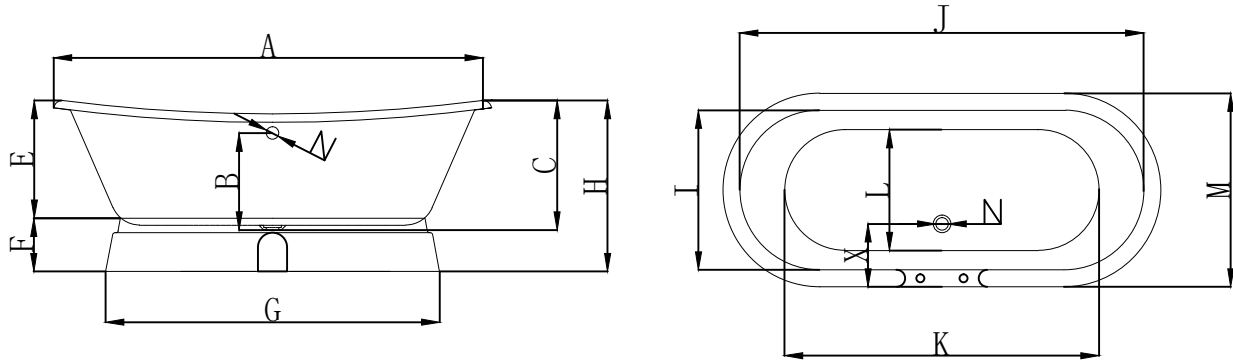


Schematic

Cast Iron Double Slipper Pedestal Tub-RIM FAUCET DRILLINGS

by Randolph Morris

Cast Iron



DIMENSIONS (INCHES)

A B C D E F G H I J K L M N X

	A	B	C	D	E	F	G	H	I	J	K	L	M	N	X
67	67	15	22		19	8	54	27	25 ¹ / ₅	61	47	18 ¹ / ₂	31 ¹ / ₂	2	11 ¹ / ₂
71	71	15	22		19	8	55 ¹ / ₂	27	25 ¹ / ₅	65	50 ² / ₅	18 ¹ / ₂	31 ¹ / ₂	2	11 ¹ / ₂

	67	71
EMPTY (LB)	440	473
FILLED (LB)	957	1023
CAPACITY (GAL)	62	66
WATER DEPTH (IN)	15	15

All products and specifications are subject to change without notice. Randolph Morris is not responsible for typographical and/or dimensional errors. Typographical errors are subject to correction.

Note: Rough-in dimensions may vary +/- 1/2" and are subject to change. No responsibility is assumed by Randolph Morris.