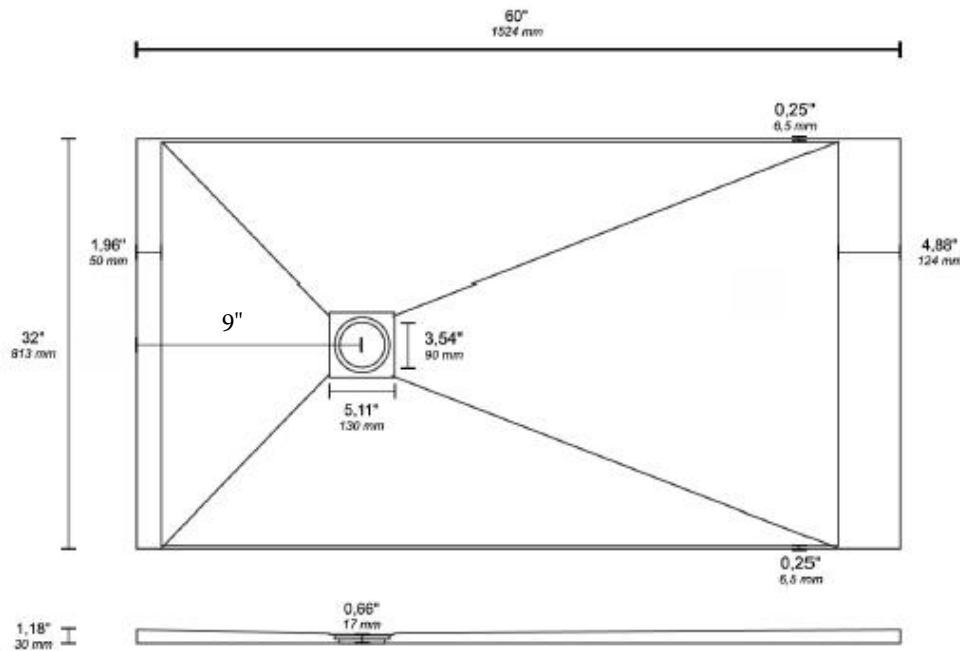




Shower Pan

by Randolph Morris
Item #: RMDPA-6032

Schematic



INCLUDED

- Shower base
- Drain cover
- Tile flange (includes 2 long sides and 1 short side)
- Adhesive tape for sealing flange at the corners
- Installation instructions
- Packaged in wooden packaging box or cardboard box

DRAINS RECOMMENDED (included)

- For 2" drain connection:
- OS&B SD350-LT ABS

FEATURES



All products and specifications are subject to change without notice. Randolph Morris is not responsible for typographical and/or dimensional errors. Typographical errors are subject to correction.

Note: Rough-in dimensions may vary +/- 1/2" and are subject to change. No responsibility is assumed by Randolph Morris.