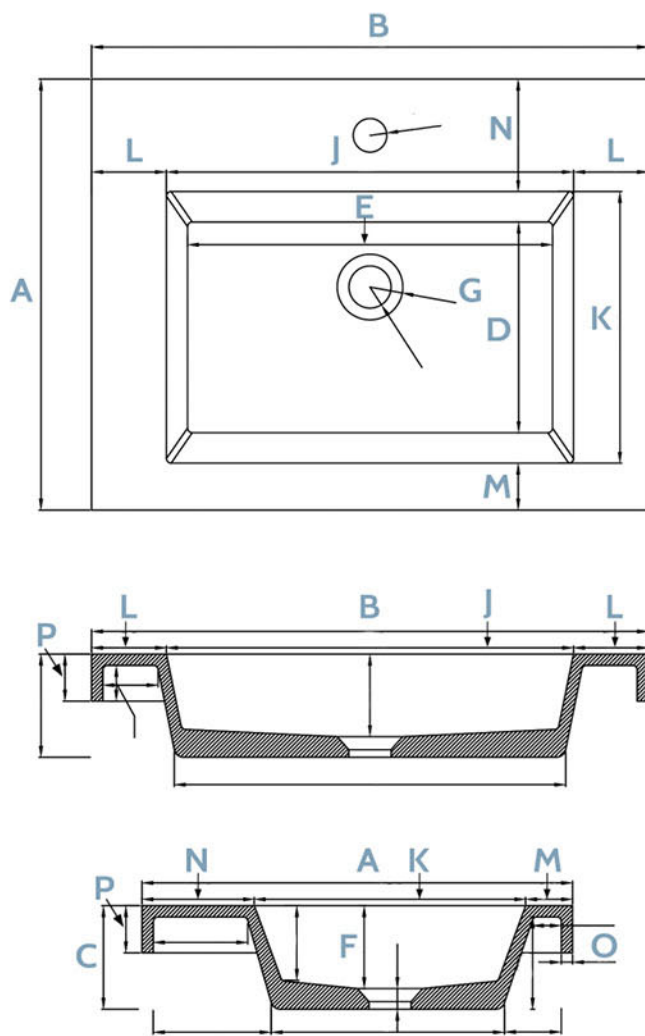


Concrete Semi-Recessed Sink RMCZZ19-8



DIMENSIONS

A: Sink Length
18-1/8"

B: Sink Width
23-7/16"

C: Sink Height
4-5/16"

D: Sink Bottom Length
8-7/8"

E: Sink Bottom Width
15-3/8"

F: Sink Depth
3-1/2"

G: Faucet Drilling Diameter
1-3/8"

J: Sink Top Length
17-1/8"

K: Sink Top Width
11-7/16"

L: Sink L/R Edge
3-3/16"

M: Sink Lower Edge
2"

N: Sink Upper Edge
4-3/4"

O: Sink Thickness
1/2"

P: Sink Ledge Height
2"

VOLUME
2.2 GAL

WEIGHT
25 - LBS

WATER DEPTH
3-1/2"