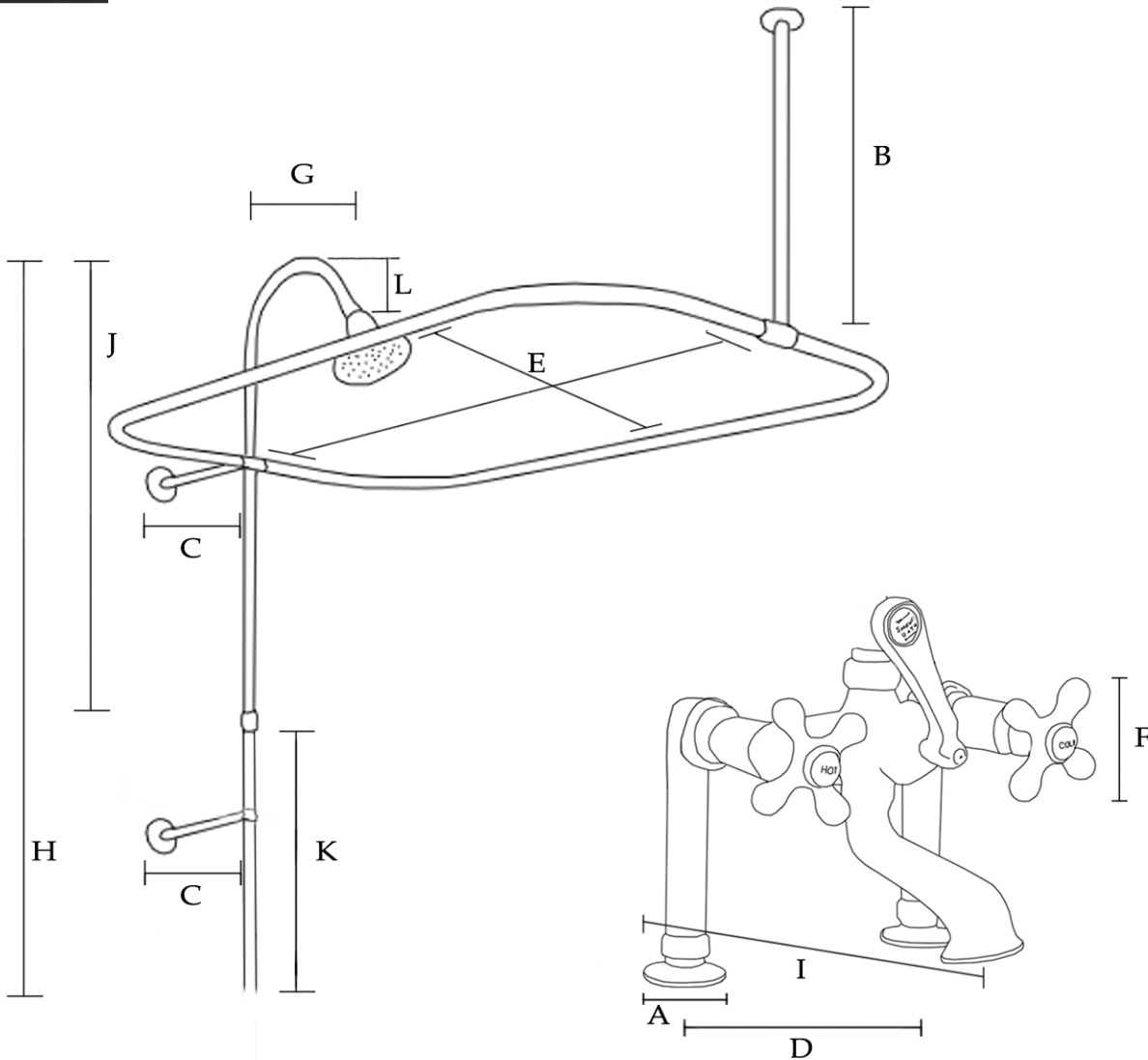




Deck Mount Shower Enclosure with Conversion Unit by Randolph Morris

Item #: RMC730



- | | | |
|----------------------------|--|-----------------------------|
| (A) Base: 2" OD | (E) 48" Frame:* 28" W x 48" L; 3/4" OD | (H) Riser: 76" H; 5/8" OD |
| (B) Brace - Ceiling: 30" L | 54" Frame: 28" W x 54" L; 3/4" OD | (I) Spout: 7" Reach |
| (C) Brace - Wall: 10" L | 60" Frame:* 28" W x 60" L; 3/4" OD | (J) Upper Pipe Riser: 28" L |
| (D) Centers: 7" W | (F) Handle: 3-1/4" L | (K) Lower Riser Pipe: 48" L |
| | (G) Projection: 9" Reach | (L) Riser Curve Drop: 5" L |

*Chrome Only

Flow Rate: 7 gal/min

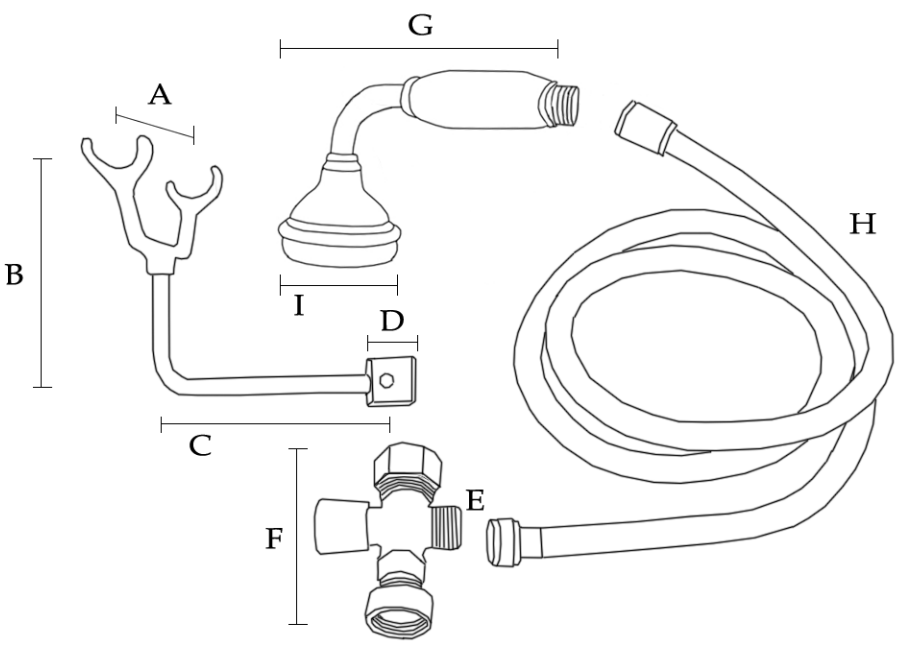
All products and specifications are subject to change without notice. Randolph Morris is not responsible for typographical and/or dimensional errors. Typographical errors are subject to correction.

Note: Rough-in dimensions may vary +/- 1/2" and are subject to change. No responsibility is assumed by Randolph Morris.



Deck Mount Shower Enclosure with Conversion Unit
by Randolph Morris

Item #: RMC730



- | | | |
|--------------------------|----------------------------------|----------------------------|
| (A) Cradle: 5-3/4" W | (D) Cradle Ring: 5/8" OD | (G) Handshower: 7" L |
| (B) Cradle: 4-3/4" H | (E) Diverter Body: 1/2" Male IPS | (H) Hose: 59" L |
| (C) Cradle: 4-1/2" Reach | (F) Diverter Body: 2" H | (I) Shower Head: 2-1/2" OD |

All products and specifications are subject to change without notice. Randolph Morris is not responsible for typographical and/or dimensional errors. Typographical errors are subject to correction.

Note: Rough-in dimensions may vary +/- 1/2" and are subject to change. No responsibility is assumed by Randolph Morris.