

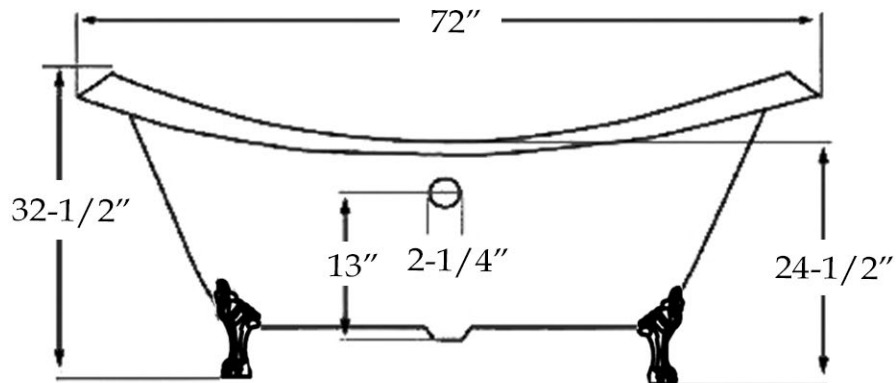
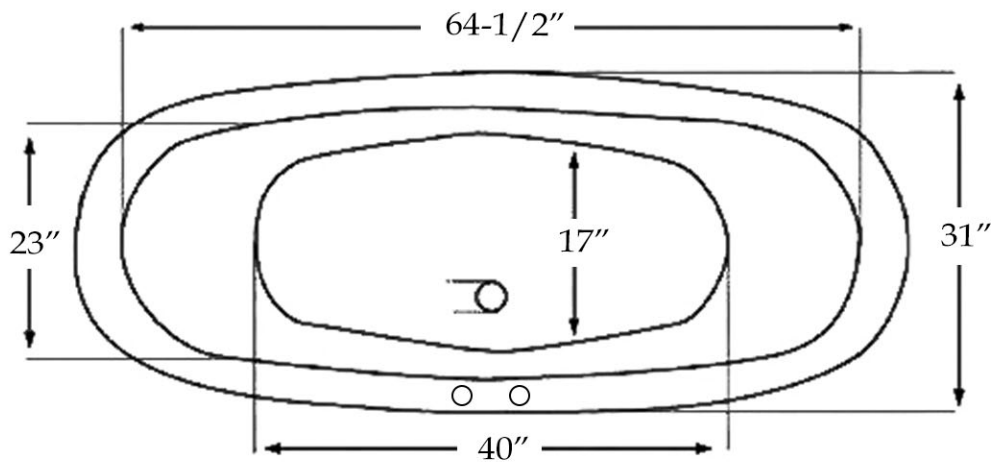


Schematic

Double Slipper Clawfoot Tub by Randolph Morris

Acrylic

Item #: RMA72DS7LP



Volume: 58 gal Weight: 79 lbs Water Depth: 13"

All products and specifications are subject to change without notice. Randolph Morris is not responsible for typographical and/or dimensional errors. Typographical errors are subject to correction.

Note: Rough-in dimensions may vary +/- 1/2" and are subject to change. No responsibility is assumed by Randolph Morris.