

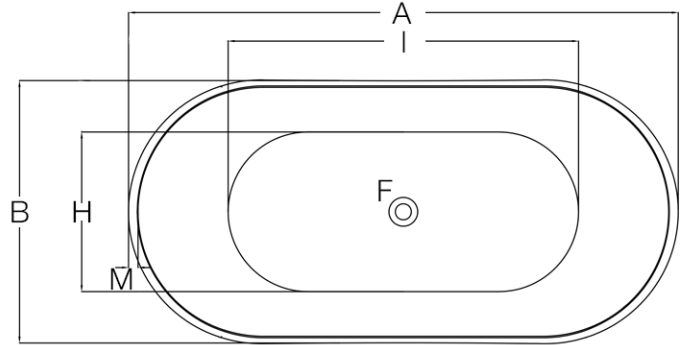
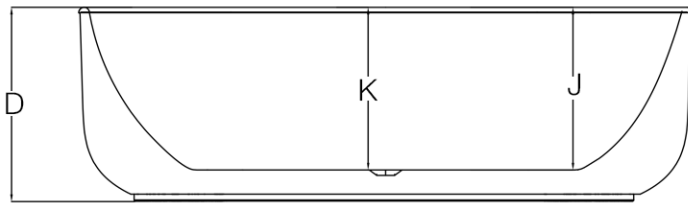


## Double Ended Freestanding Tub by Randolph Morris

Acrylic

Item #: RMD51 (59") & RMD52 (67")

### TECHNICAL INFORMATION



### DIMENSIONS (INCHES)

	A	B	C	D	E	F	G	H	I	J	K
<b>59</b>	59	31 $\frac{1}{2}$	-	23 $\frac{1}{2}$	-	2	-	19 $\frac{3}{10}$	35 $\frac{1}{2}$	18	18 $\frac{1}{2}$
<b>67</b>	67	31 $\frac{1}{2}$	-	23 $\frac{1}{2}$	-	2	-	19 $\frac{3}{10}$	43 $\frac{3}{10}$	18	18 $\frac{1}{2}$

	<b>59</b>	<b>67</b>
<b>EMPTY (LB)</b>	88	99
<b>FILLED (LB)</b>	530	649
<b>CAPACITY (GAL)</b>	53	66
<b>WATER DEPTH (IN)</b>	16	16

Approximate Measurements

All products and specifications are subject to change without notice. Randolph Morris is not responsible for typographical and/or dimensional errors. Typographical errors are subject to correction.

Note: Rough-in dimensions may vary +/- 1/2" and are subject to change. No responsibility is assumed by Randolph Morris.