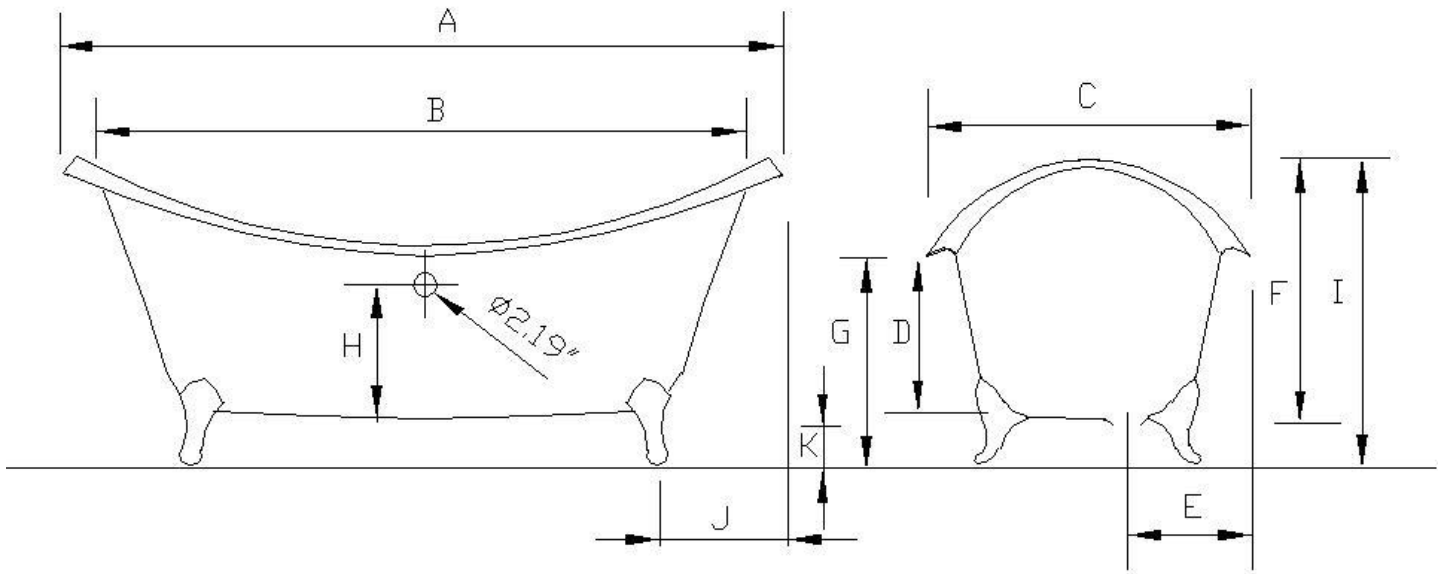
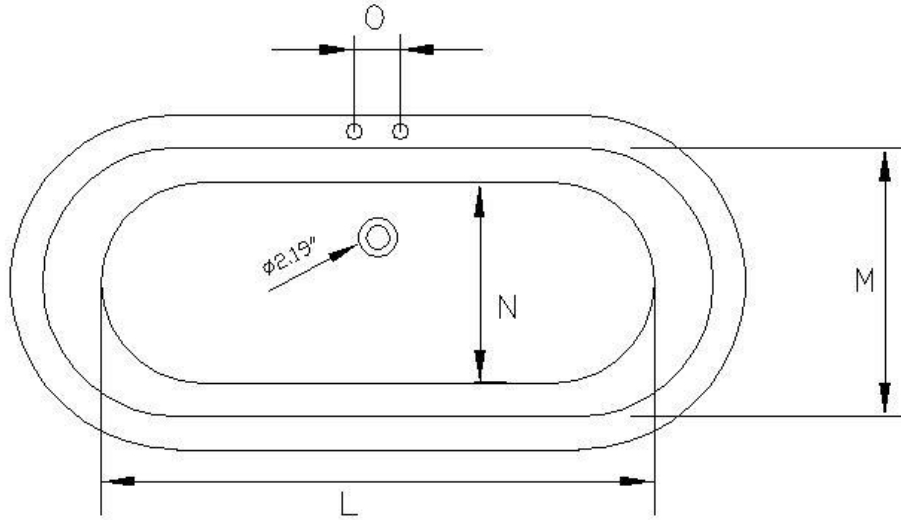


Strom Plumbing



Ph: (916) 638-2722 / Fax: (916) 638-2725

Tub Specifications – Cast Iron Double Ended Crescent Tub on Legs



	A	B	C	D	E	F	G	H	I	J	K	L	M	N	O	VOL	WGHT
P0767	72"	66"	31.5"	16.5"	12"	25.7"	21 1/2"	13.7"	29.5"	20.75"	5.3"	34.6"	24"	15"	7"	68" GAL	418 LBS
P0770	72"	66"	31.5"	16.5"	12"	25.7"	21 1/2"	13.7"	29.5"	20.75"	5.3"	34.6"	24"	15"		68" GAL	462 LBS
P0784	72"	66"	31.5"	16.5"	12"	25.7"	21 1/2"	13.7"	29.5"	20.75"	5.3"	34.6"	24"	15"	7"	68" GAL	418 LBS
P0785	72"	66"	31.5"	16.5"	12"	25.7"	21 1/2"	13.7"	29.5"	20.75"	5.3"	34.6"	24"	15"		68" GAL	462 LBS

SIGN OF THE CRAB, LLC