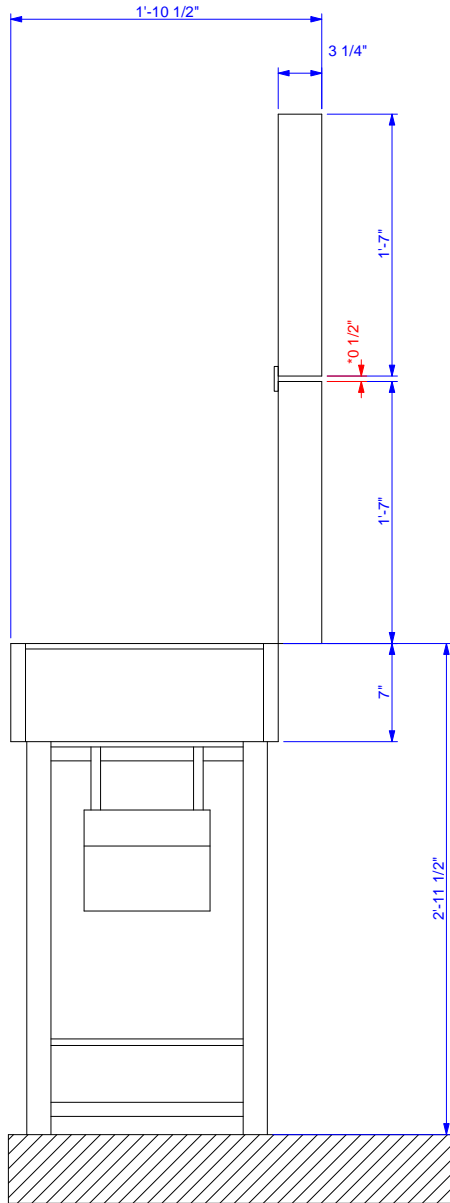
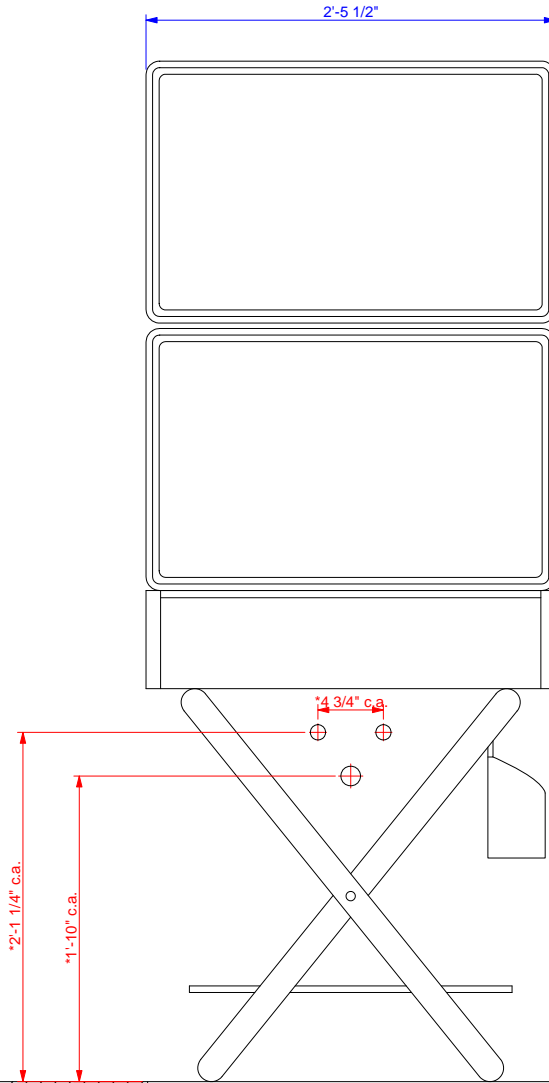


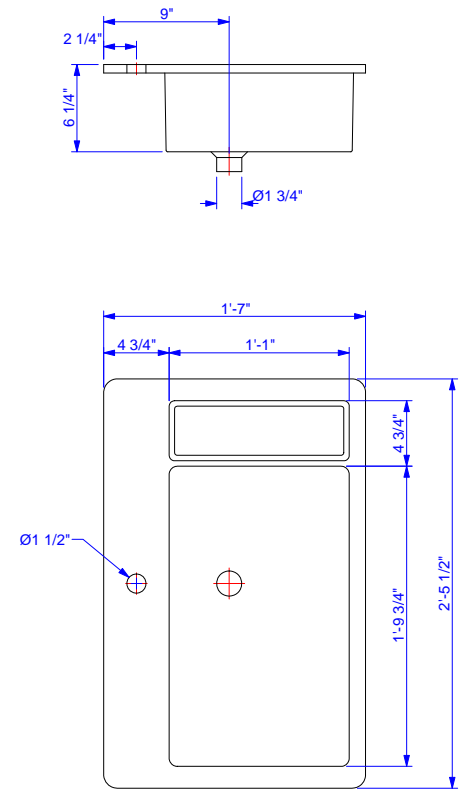
SIDE VIEW




FRONTAL VIEW



BASIN



* Advised measure for installation

DRAWN YURI TYMOCHKO	2016-04-19			
CHECKED				
QA		TITLE <h2 style="text-align: center;">My.Bag</h2>		
APPROVED				
		SIZE C	DWG NO	REV
		SCALE		SHEET 1 OF 1