



BY PREMIER COPPER PRODUCTS

K-PD01ORB

SINGLE HANDLE PULL-DOWN KITCHEN FAUCET

FEATURES:

- All Brass Material
- Ceramic Cartridges
- Max Flow Rate: 2.2GPM(8.3LPM) @ 60PSI
- 100% Factory Tested
- Strainer Available



APPLICABLE STANDARDS/CODES:

- ASME A112.18.1
- CSA B125.1-2005
- NSF/ANSI 61-2007a
- California Lead Plumbing Law
- ADA

FINISHES:

- Oil Rubbed Bronze (ORB)
- Brushed Nickel (BN)



SPECIFIED MODEL:

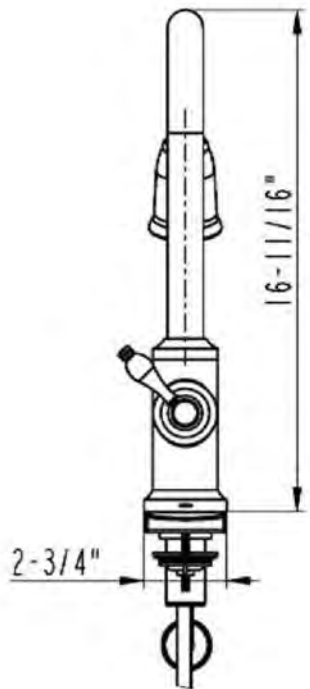
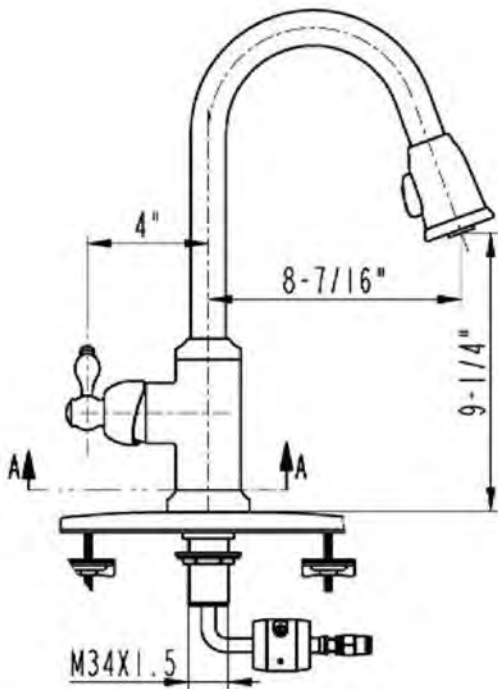
Model	Description	Finish
K-PD01ORB	Single Handle Pull-Down Kitchen Faucet	ORB
K-PD01ORB-D	Single Handle Pull-Down Kitchen Faucet W/ Strainer	ORB
K-PD01ORB-G	Single Handle Pull-Down Kitchen Faucet W/ Garbage Disposal Drain	ORB
K-PD01ORB-DG	Single Handle Pull-Down Kitchen Faucet W/ Disposal-Basket Drains	ORB
K-PD01ORB-DD	Single Handle Pull-Down Kitchen Faucet W/ (2) Basket Drains	ORB

TRÜ[™] Faucets

BY PREMIER COPPER PRODUCTS

PRODUCT SPECIFICATIONS

K-PD010RB

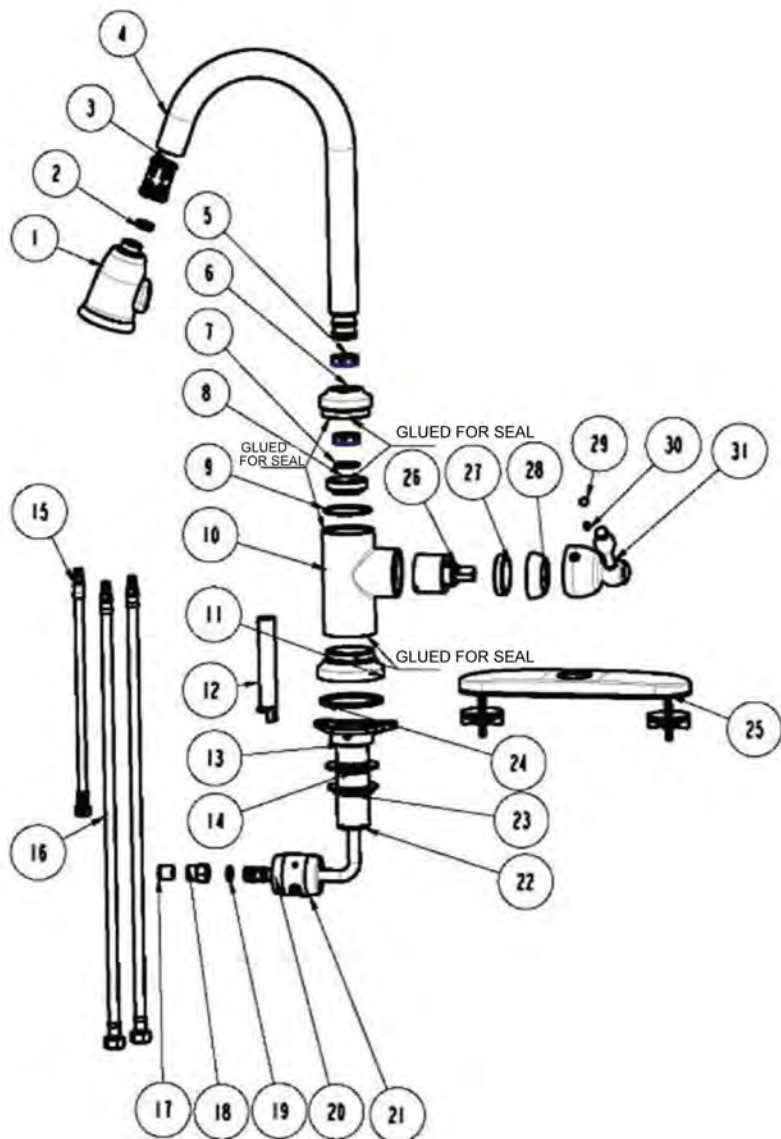


TRÜTM Faucets

BY PREMIER COPPER PRODUCTS

K-PD01ORB

EXPLODED PARTS VIEW





BY PREMIER COPPER PRODUCTS

K-PD01ORB

PARTS LISTING

31	2750377	HANDEL ASSEMBLY
30	2090049	HEXAGONAL MOUNTING SCREW
29	2100093	MARK
28	2110104	CARTRIDGE CAP
27	2110114	RETAINER NUT
26	2710045	40 CARTRIDGE
25	2110169	DECK PLATE
24	2050414	WASHER
23	2120033	MOUNTING NUT
22	2030026	SCREW CONNECTER
21	2000084	ADDITIONAL WEIGHT BLOCK
20	2860314	STAINLESS STEEL HOSE
19	2050171	WASHER
18	2040171	CONNECTER
17	2730006	CHECK VALVE
16	2860148	STAINLESS STEEL FLEXIBLE HOSE
15	2860210	STAINLESS STEEL FLEXIBLE HOSE
14	2180150	WASHER
13	2160081	MOUNTING BASE
12	2150146	HOSE SHELL
11	2160352	BASE SET
10	2132679	BODY
9	2050128	O-RING
8	2120165	MOUNTING NUT
7	2050123	O-RING
6	2110504	PRESS CAP
5	2180337	C-RING
4	2140502	SPOUT PIPE
3	2150147	SHELL
2	2050344	WASHER
1	2800033	SPRAY
NO.	Part NO.	Part Name