

# MODEL INFORMATION

DL-6152

## PRIME

DreamLine Prime 33 in. D x 33 in. W x 76 3/4 in. H Clear Sliding Shower Enclosure with White Acrylic Base and Backwall

### KIT CONTENTS:

- SHOWER ENCLOSURE
- SHOWER BASE
- QWALL BACKWALLS

### CONFIGURATION DIMENSIONS:

**A: 33 in.**

KIT WIDTH

**B: 76 3/4 in.**

KIT HEIGHT

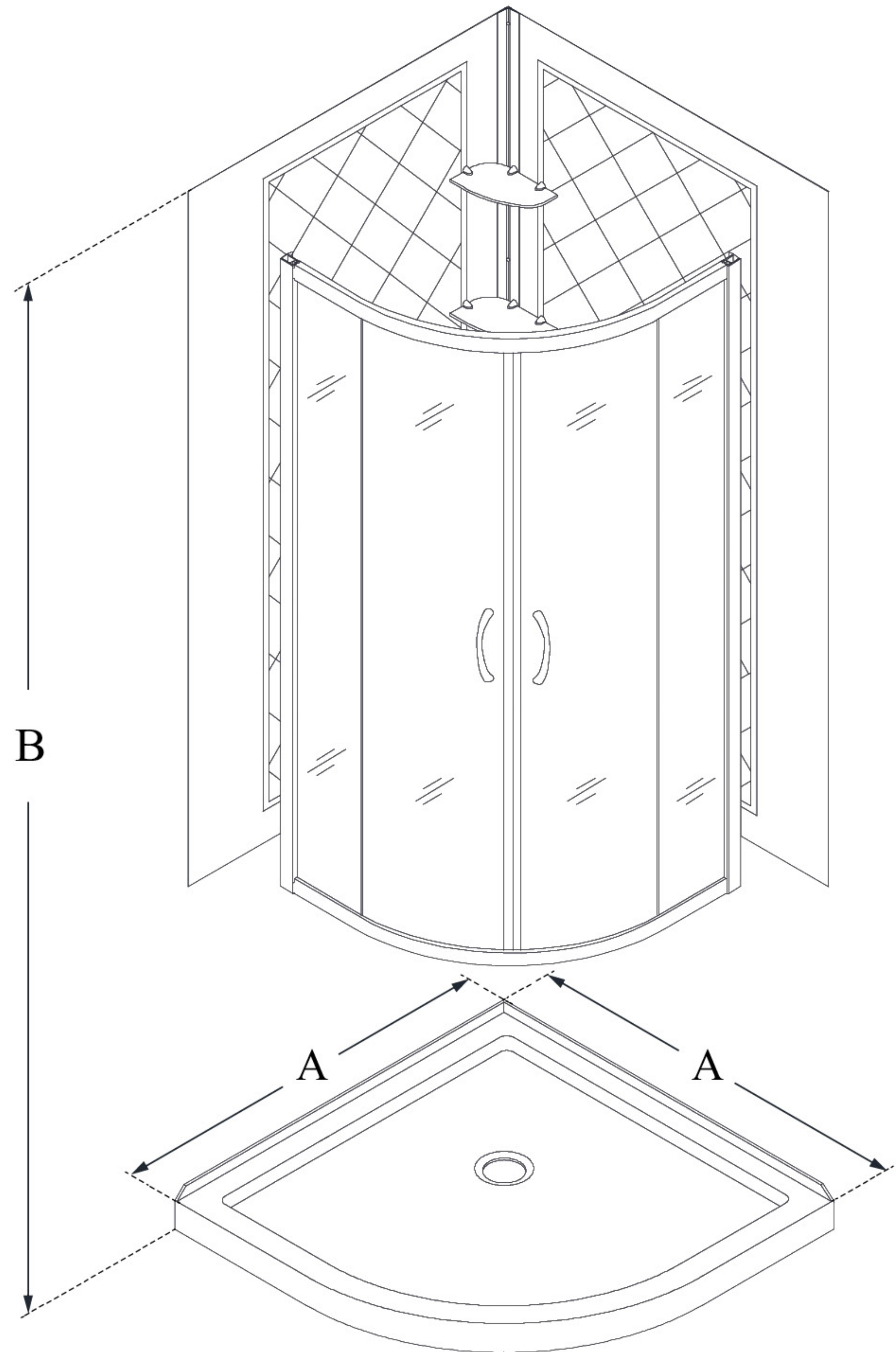
**G: 33 in.**

KIT DEPTH

### AVAILABLE DRAIN LOCATIONS:

- CORNER

For precise drain location, please refer to the included base technical drawing



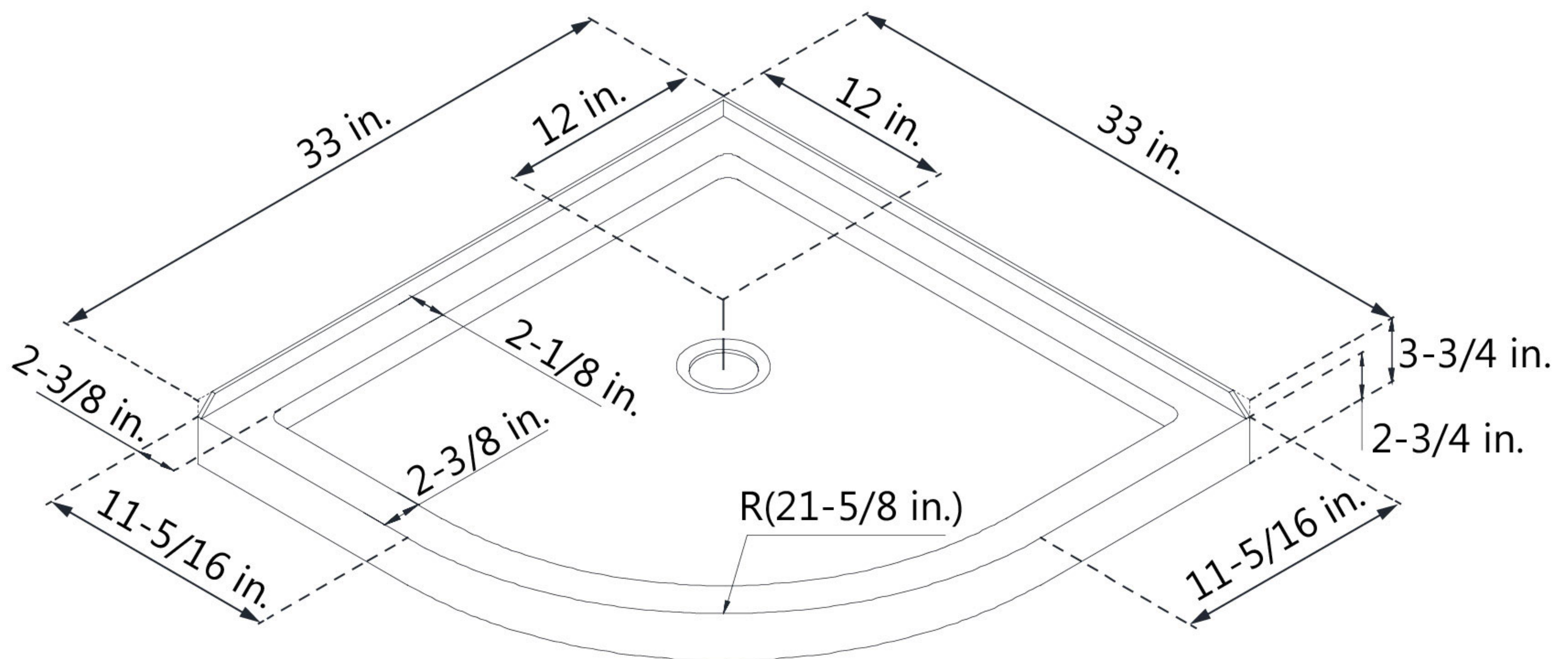
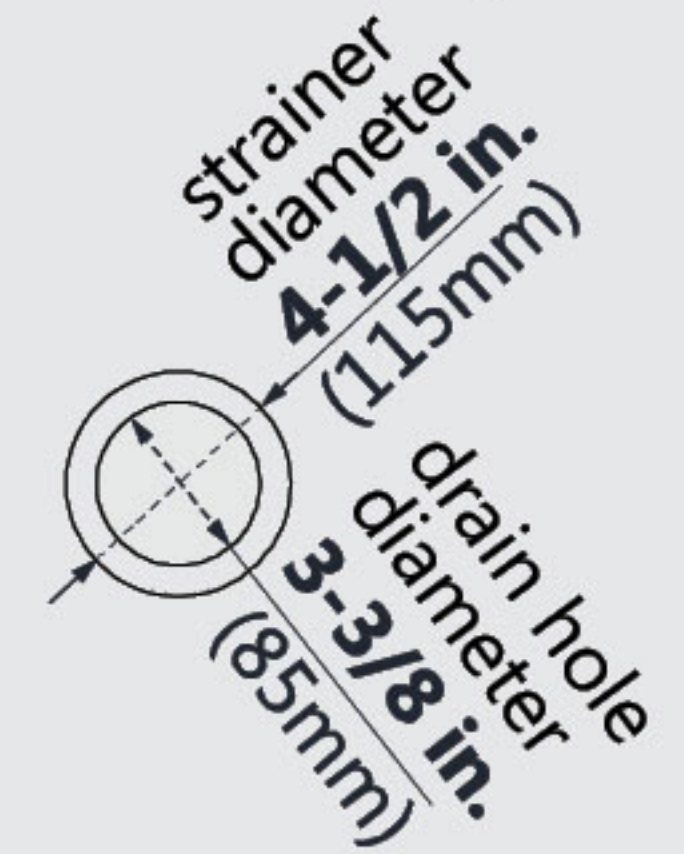
DreamLine reserves the right to update or modify the hardware or materials pictured without prior notice for the purpose of product improvement and customer satisfaction.

# MODEL INFORMATION

## DLT-7033330 SLIMLINE SHOWERBASE QUARTER ROUND

**CORNER DRAIN**

### Drain Hole Specs



DreamLine reserves the right to update or modify the hardware or materials pictured without prior notice for the purpose of product improvement and customer satisfaction.

# MODEL INFORMATION

SHEN-7031310

## PRIME

Please, see overall kit dimensions prior to purchase. Measurement specs provided for technical reference only. Model is not sold separately (part of kit only).

SLIDING DOOR

### CONFIGURATION DIMENSIONS:

**A: 31 3/8 in.**

MODEL WIDTH

**B: 72 in.**

MODEL HEIGHT

**C: 18 11/16 in.**

ACCESS WIDTH

**D: 15 7/16 in.**

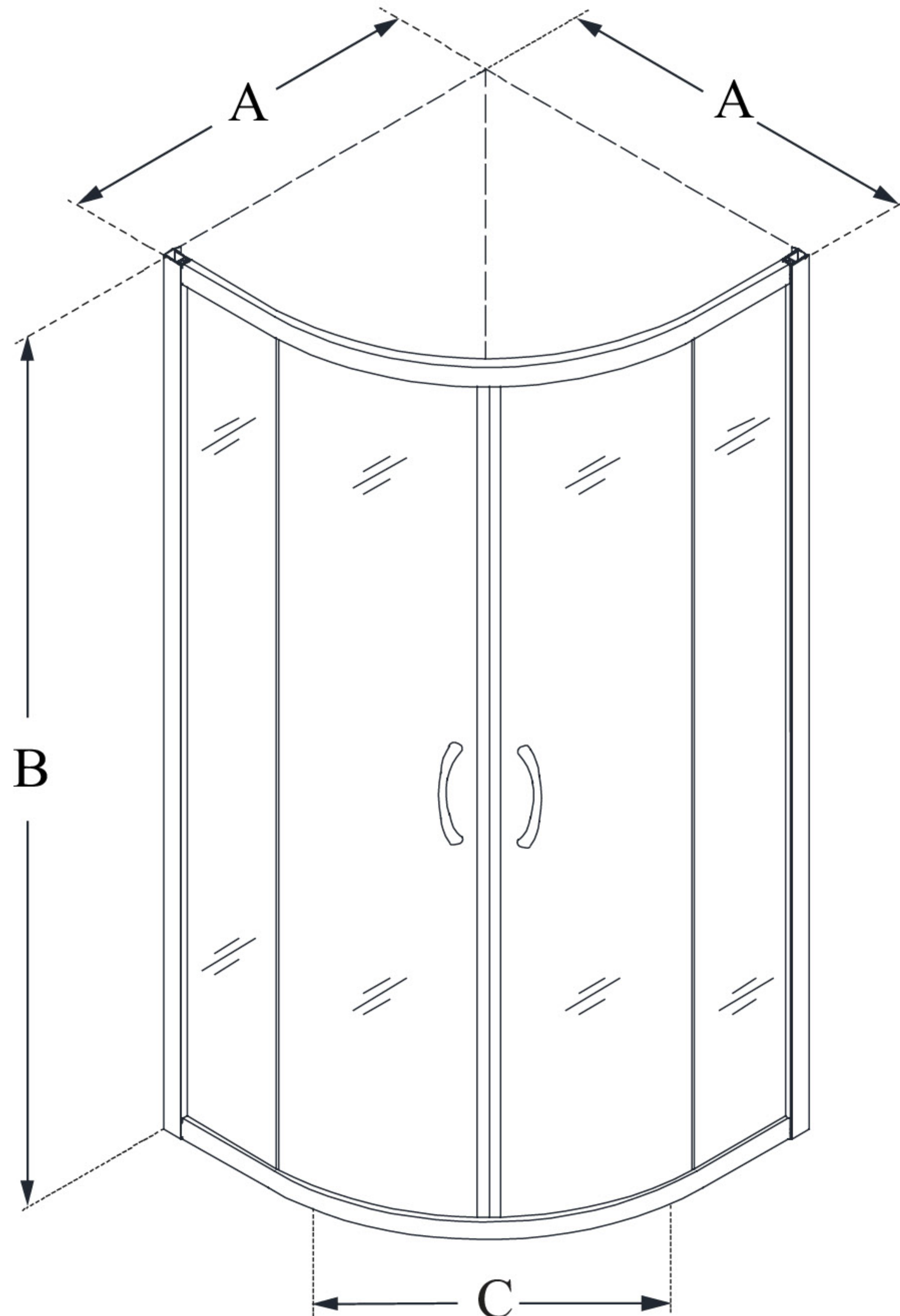
DOOR WIDTH

**A: 31 3/8 in.**

MODEL DEPTH

**G: 10 1/2 in.**

SIDE PANEL WIDTH



DreamLine reserves the right to update or modify the hardware or materials pictured without prior notice for the purpose of product improvement and customer satisfaction.

# MODEL INFORMATION

SHBW-1440742-01

## QWALL-4

DreamLine QWALL-4 30-40 in.  
W x 30-40 in. D x 74 in. H Acrylic  
Backwall Kit

INSTALLATION TYPE:

**CORNER**

### CONFIGURATION DIMENSIONS:

**G: 30 - 40 in.**

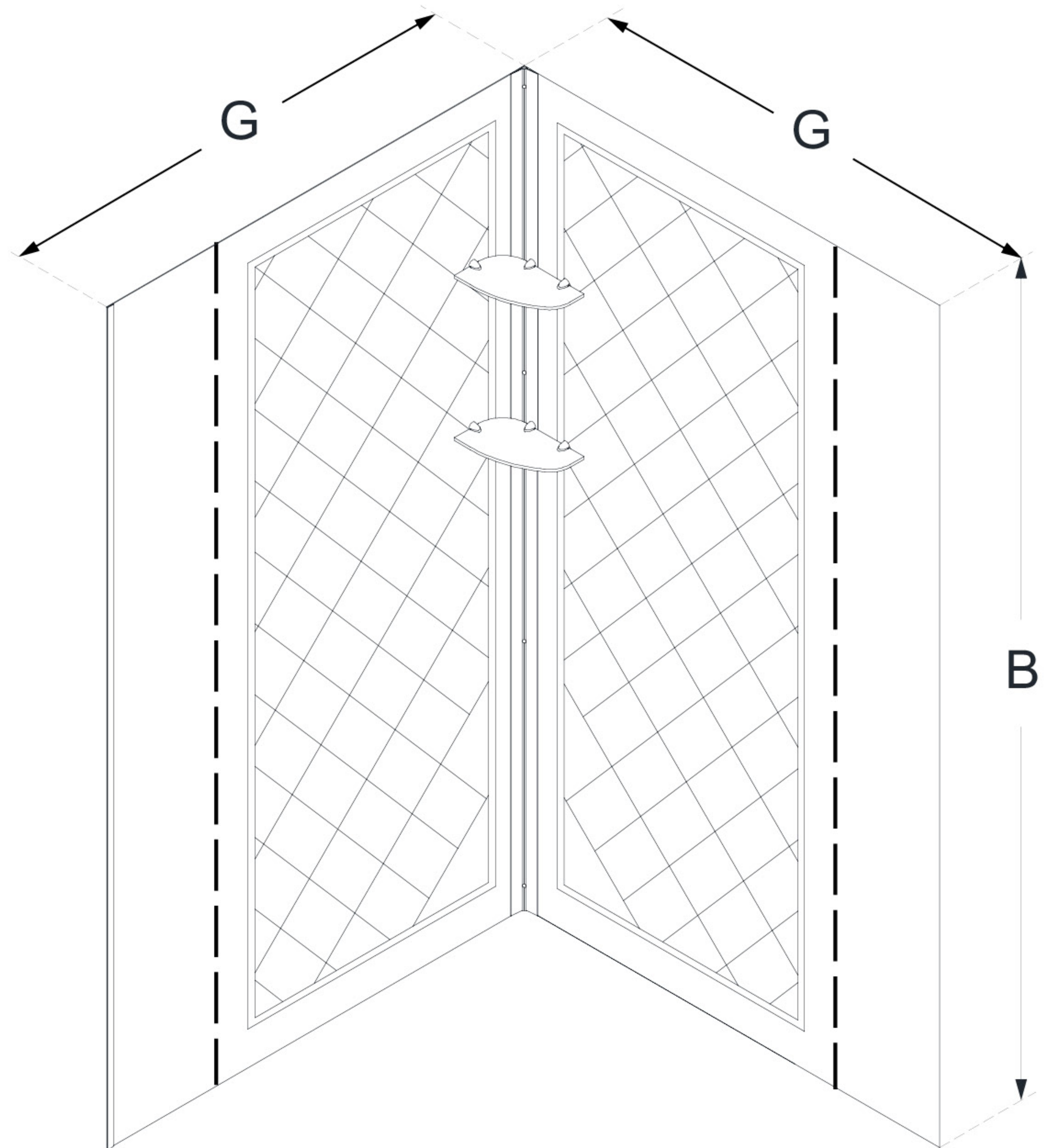
MODEL WIDTH

**G: 30 - 40 in.**

MODEL DEPTH

**B: 74 in.**

MODEL HEIGHT



DreamLine reserves the right to update or modify the hardware or materials pictured without prior notice for the purpose of product improvement and customer satisfaction.