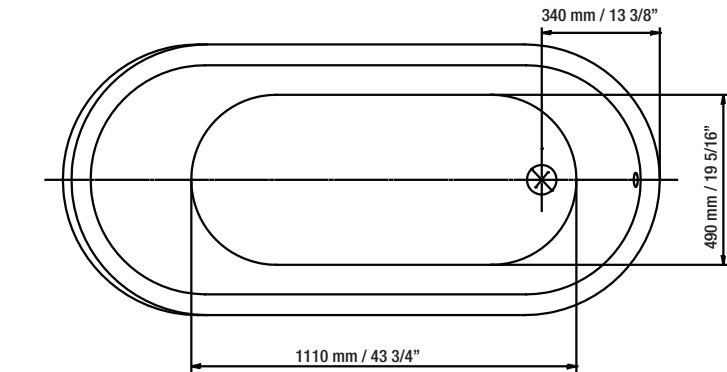




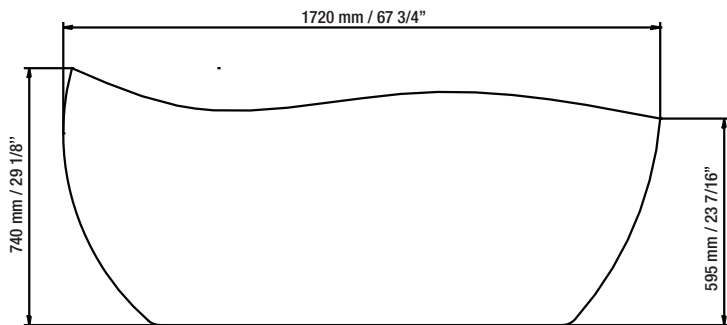
A&E Bath and Shower

6400A St. Jacques West
 Montrea, QC, Canada
 H4B 1T6
 www.aebath.com

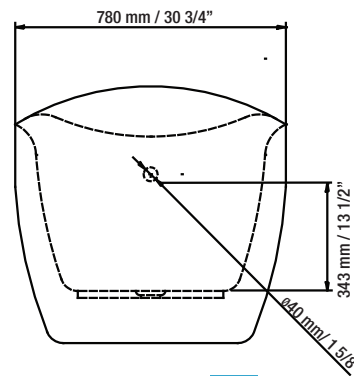
Model Modèle: Axel
 Freestanding bathtub *Baignoire autoportante*



TOP VIEW VUE DE DESSUS



FRONT VIEW VUE DE FACE



* Dimensions may vary +/- 1/4" (6mm) / Les dimensions peuvent varier de +/- 1/4" (6mm)

gallons to overflow /	50 gal.
packaging dimension /	71 x 34 x 32 in
approximated weight /	130lbs
weight with water /	547.5lbs
bathing well at sump /	44 x 19 in

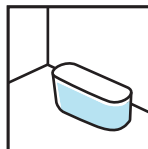


Compliance Certifications:

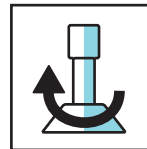
Uniform Plumbing Code
 National Plumbing Code of Canada
 CSA B45.5-17/IAPMO Z124-2017



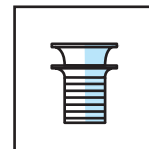
Pure acrylic construction reinforced by fiberglass
Construction en acrylique renforcée de fibre de verre



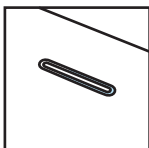
Freestanding installation
Installation autoportante



Adjustable feet
Pattes ajustables



Chrome drain included
Drain chrome inclu



Integrated chrome linear overflow
Trop plein linéaire chrome intégré



CUPC certified
Certifié CUPC