



Specifications

A716 B & R Series

Very Quiet Bathroom Heater Fan

Description: Low noise, low RPM, ceiling mount bathroom heater exhaust fan • Suitable for new construction, or remodeling • Conforms to UL/CUL safety standards when used with GFCI circuit wiring • Includes 4 anti-blast infrared heat lamps and a 60W incandescent bulb • 4-function wall switch included.

Motor/Blower: Permanently lubricated enclosed condenser motor engineered for quiet exhaust operation; power rating 120v/60Hz; motor equipped with thermal shut off; requires a dedicated 15 amp circuit.

Housing: Rust proof paint on steel body; 4” duct connector with built-in back draft dampener; easy installation anti-vibration brackets included; designed for installation in ceilings with minimum of 8” clearance.

Grille: Low maintenance, wipe clean; attaches to housing with torsion springs

Finishes: White (W)

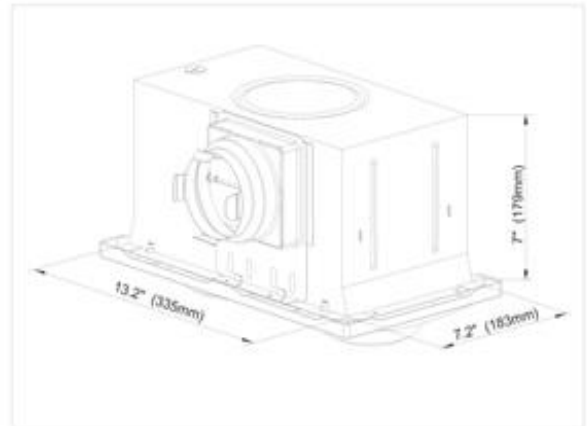
Ventilating Area: For bathrooms up to 100 sq ft.

Installation: Complete installation instructions included

Shipping Weight: 17 lbs

Warranty: -4 Years- Heater and Ceramic Heat Lamp Bulb

Architect’s Specifications: Ventilation fan will be ceiling mount with no less than 100 CFM and no more than 1.2 Sones at 0.1 static pressure in inches water gauge. The motor will be permanently lubricated, engineered for quiet operation with thermal shut off. Duct diameter will be 4” round. Fan, heater (2 or 4 bulb), and light may be wired separately. Fan will not be installed directly over tub/shower enclosure. Fan shall be UL/CUL listed for use in insulated ceiling (Type I.C.).



Listed for use in insulated ceilings (Type I.C.) Do not install directly over tub/shower.



B (W) • R (W)

Model: A716 B & R Series	4” Duct
Static Pressure (inches w.g.)	0.1
Air Volume (CFM)	90
Noise (sones)	1.2
Power Consumption (Watts)	1160
Current (AMPS)	9.6
Housing Dimensions (ins)	7 1/2 x 11 5/8 x 11 5/8
Grille Dimensions (ins)	14 3/8 x 14 3/8



Model	Qty	Comments	Project
			Location
Architect			
Engineer			
Contractor			
Submitted by			
Date			