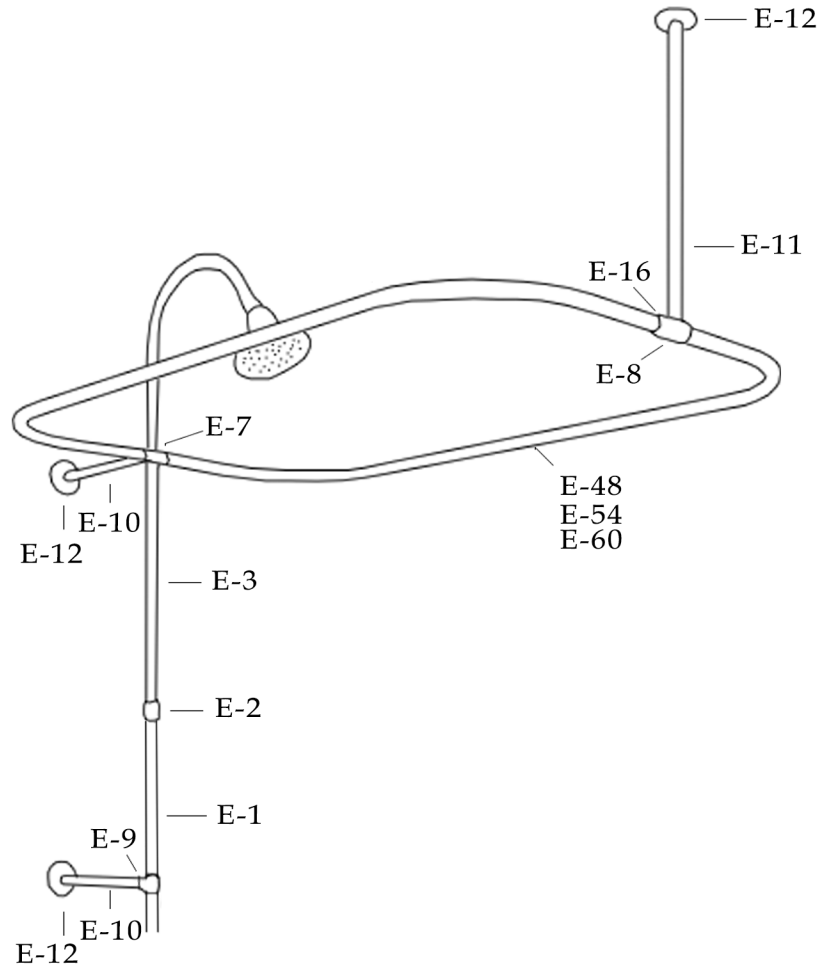




End Mount Shower Conversion Kit with Showerhead

by Randolph Morris

Item#: End Mount Shower Enclosure



Unpack and check all the parts, and read the instructions.

PART NO.	DESCRIPTION	QTY	NOTES
E-1	48" Lower Riser Tube	1	
E-2	Riser Coupler	1	
E-3	28" Upper Riser Tube	1	
E-7	Riser Enclosure Connector	1	
E-8	Enclosure Connector	1	
E-9	5/8" Support Loop	1	Includes Set Screw
E-10	10" Wall Support Tube	2	
E-11	30" Ceiling Support Tube	1	
E-12	Wall/Ceiling Flange	3	Screws Not Included
E-16	Aluminium Compression Sleeve For 5/8" Tubing	1	
E-18	Entire Bag of Screws & Anchors	1	Not Shown
E-48	48" End Mount 'C' Tube	2	
E-54	54" End Mount 'C' Tube	2	
E-60	60" End Mount 'C' Tube	2	
E-DRYWALL SCREW	Drywall Screw (Finished)	6	Not Shown
E-SET SCREW	Set Screw	12	Not Shown
E-ALLEN SCREW	Allen Screw (No-Finish)	1	Not Shown
E-PLASTIC ANCHOR	Plastic Anchor	6	Not Shown
	Showerhead	1	Multiple Options

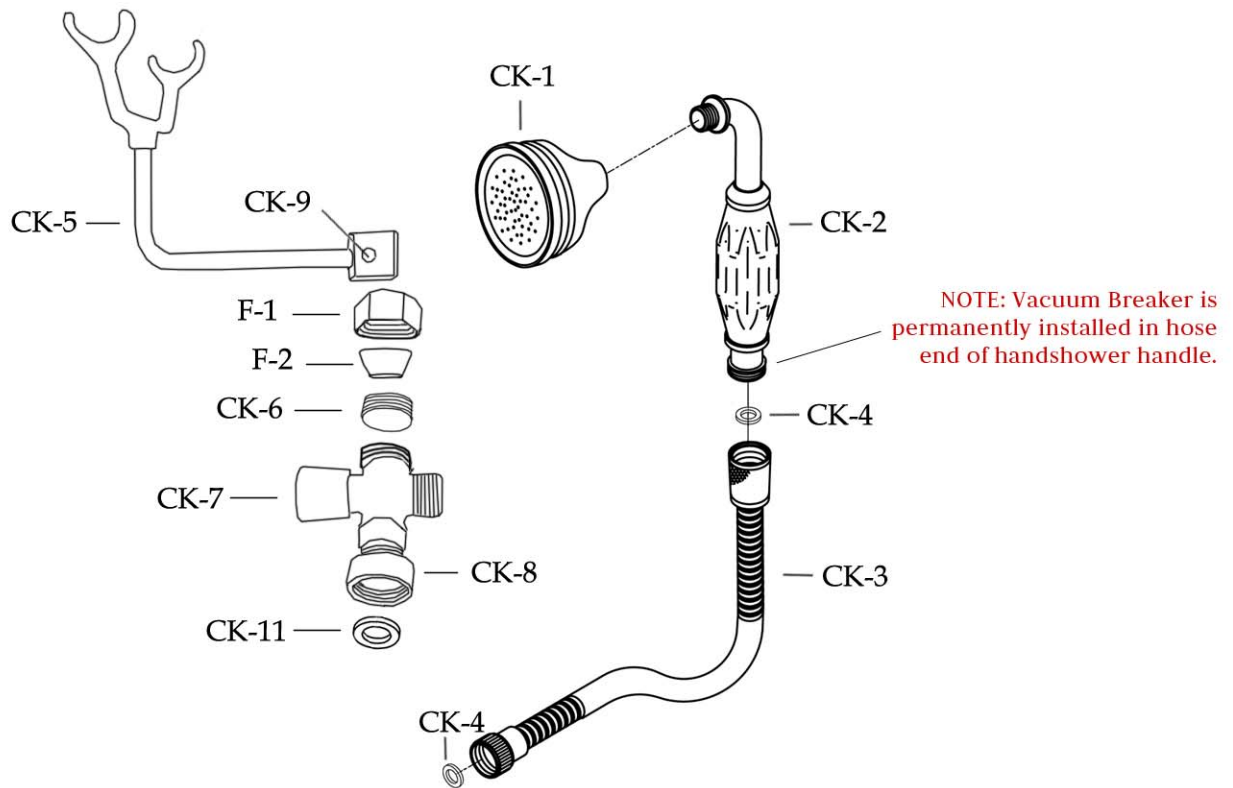
Approximate Measurements. All products and specifications are subject to change without notice. Randolph Morris is not responsible for typographical and/or dimensional errors. Typographical errors are subject to correction. *Note:* Rough-in dimensions may vary +/- 1/2" and are subject to change. No responsibility is assumed by Randolph Morris.



Parts List

Hand Held Shower Conversion Unit for Shower Enclosures by Randolph Morris

Item #: 156



Unpack and check all the parts, and read the instructions.

PART NO.	DESCRIPTION	QTY
CK-1	HANSHOWER HEAD	1
CK-2	HANSHOWER HANDLE	1
CK-3	HANSHOWER HOSE	1
CK-4	HANSHOWER HOSE WASHERS	2
CK-5	HANSHOWER RISER CRADLE	1
CK-6	DIVERTER BODY BUSHING	1

PART NO.	DESCRIPTION	QTY
CK-7	DIVERTER BODY	1
CK-8	DIVERTER BODY ADAPTOR NUT	1
CK-9	CRADLE SET SCREW	1
CK-11	HANSHOWER CRADLE WASHER	1
F-1	FAUCET SLIP NUT	1
F-2	CONE WASHER (LG)	1