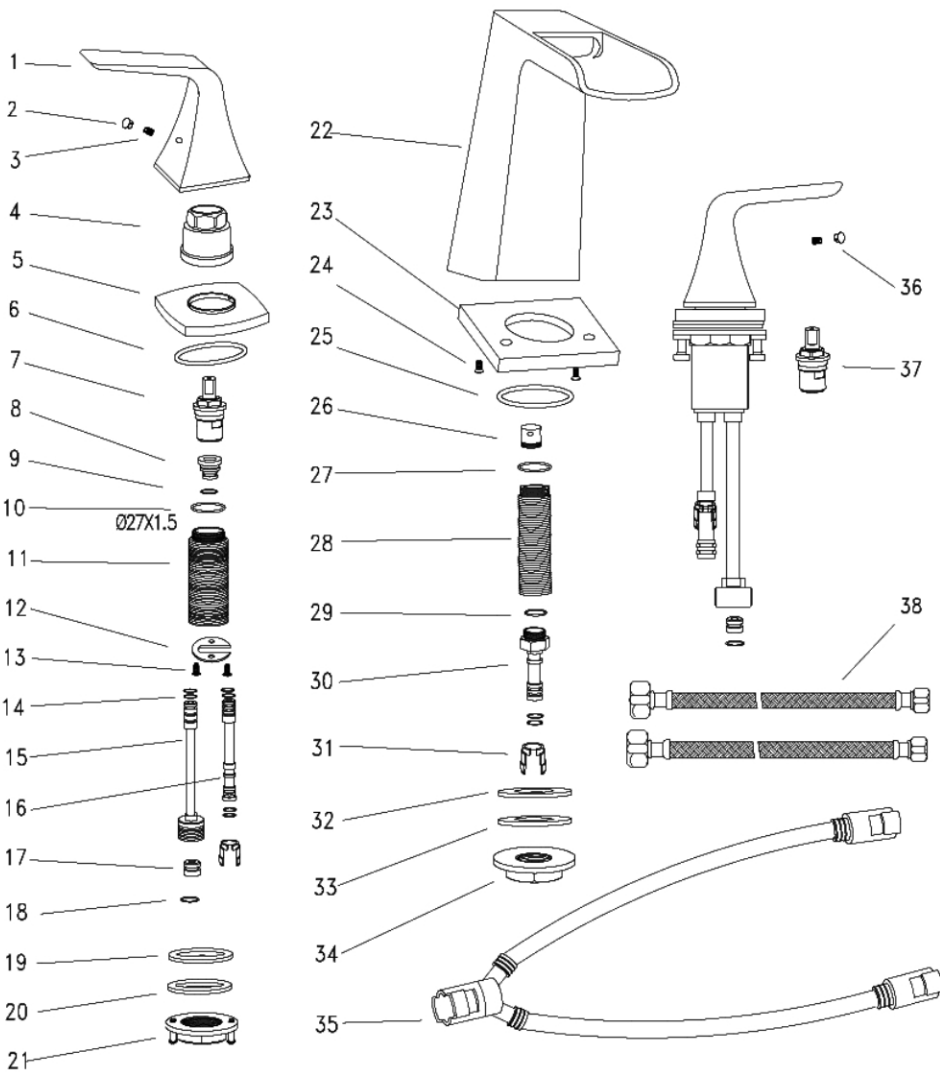




## Widespread Waterfall Faucet by Randolph Morris

Item #: RMX301



POS	PART NO	PART NAME	QTY	MATERIAL						
38	26600700	Braided hose	2	Assembly						
37	24800200	Cartridge	1	ABS						
36	25300600	Color button	1	Rubber						
35	25619200	Outlet hose	1	Rubber						
34	27101500	Lock nut	1	HPb59-1						
33	27101400	Gasket	1	SUS304						
32	25646200	Gasket	1	Rubber						
31	25102600	Card wreath	3	ABS						
30	12410700	Connector	1	HPb59-1						
29	25514100	O ring	1	Rubber						
28	12751100	Inlet pipe	1	HPb59-1						
27	25518100	O ring	1	Rubber						
26	155404000	Water saving seal	1	Rubber						
25	25546300	O ring	1	Rubber						
24	27300500	screw	2	SUS304						
23	12608302	Base	1	Rubber						
22	11103702	water outlet	1	HPb59-1						
21	27100900	Lock nut	2	HPb59-1						
20	27100500	Gasket	2	SUS304						
19	25649100	Gasket	2	Rubber						
18	25512100	O ring	2	Rubber						
17	15403900	Water saving seal	1	ABS						
16	11900300	Exhaust siphon	2	HPb59-1						
15	11802100	Inlet pipe	2	HPb59-1						
14	25510300	O ring	14	Rubber						
13	27301900	screw	4	SUS304						
12	27101900	Gasket	2	SUS304						
11	22003800	Base	2	ABS						
10	25527000	O ring	2	Rubber						
9	25512000	O ring	2	Rubber						
8	25102500	Connector	2	ABS						
7	24800100	Cartridge	1	ABS						
6	25546200	O ring	2	Rubber						
5	22606102	Base	2	Zinc alloy						
4	22701800	Cartridge cover	2	Zinc alloy						
3	27200500	screw	2	SUS304						
2	25300500	Color button	1	ABS						
1	23005802	Handlebar	2	Zinc alloy						
		<b>RMX301</b>								
		<b>CZ310101</b>								
Mark	Part	Rev	Sign	Date	Quantity	Material	WT	Edits	Surface	Processing
App	Eng	App	App	Date				A		Page 1 of 1
Check										
Drawn										
<b>MEGA CASA</b>										

All products and specifications are subject to change without notice. Randolph Morris is not responsible for typographical and/or dimensional errors. Typographical errors are subject to correction.

Note: Rough-in dimensions may vary +/- 1/2" and are subject to change. No responsibility is assumed by Randolph Morris.