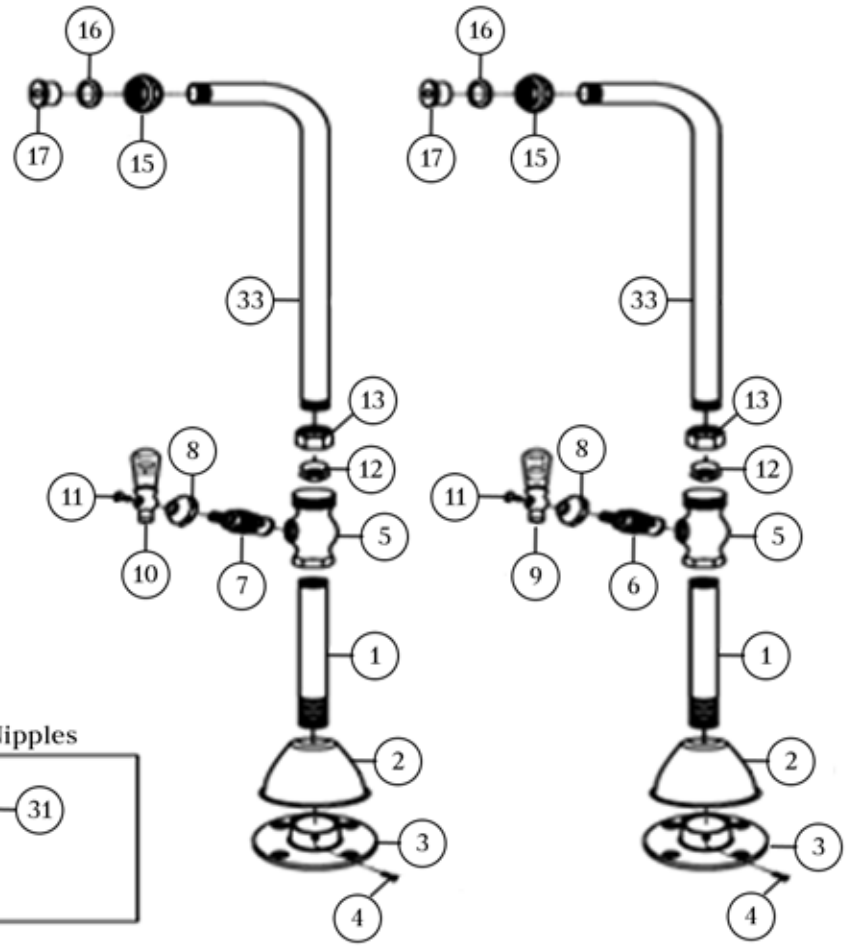




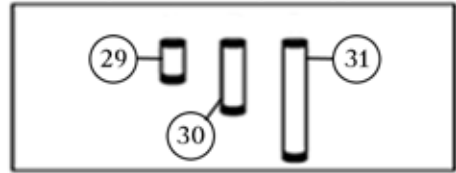
Clawfoot Tub Freestanding Supply Lines

by Randolph Morris

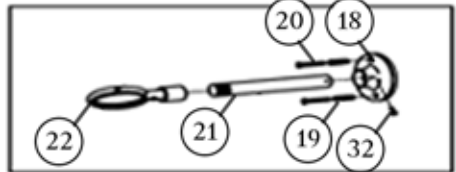
Item#: RMNSL4



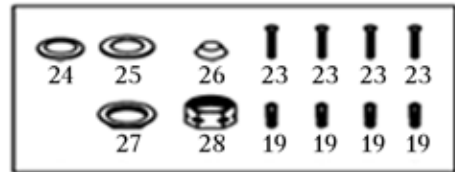
Adjustable Height Nipples



Wall Brace



Parts Below Escutcheon



Unpack and check all the parts, and read the instructions.

ITEM	PART NO.	DESCRIPTION	QTY	NOTES
01	SL4-01	7.5" NIPPLE	2	
02	SL4-02	ESCUTCHEON	2	
03	SL4-03	FLANGE	2	
04	SL4-04	SCREW	2	
05	SL4-05	VALVE	2	
06	SL4-06	COLD STEM	1	
07	SL4-07	HOT STEM	1	
08	SL4-08	BELL NUT	2	
09	SL4-09	COLD HANDLE	1	
10	SL4-10	HOT HANDLE	1	
11	SL4-11	SCREW	2	
12	SL4-12	RUBBER	2	
13	SL4-13	NUT	2	
15	SL4-15	NUT	2	
16	SL4-16	RUBBER WASHER	2	
17	SL4-17	RUBBER	2	
18	SL4-18	FLANGE	2	
19	SL4-19	GENERAL FITTINGS	12	
20	SL4-20	SCREW (FINISHED)	4	
21	SL4-21	TUBE	2	
22	SL4-22	LOOP	2	
23	SL4-23	SCREW (FLOOR FLANGE)	8	
24	SL4-24	RUBBER WASHER	2	
25	SL4-25	RUBBER WASHER	2	
26	SL4-26	CONE WASHER	2	
27	SL4-27	LOCK NUT	4	
28	SL4-28	NUT	2	
29	SL4-29	3" NIPPLE	2	
30	SL4-30	6" NIPPLE	2	
31	SL4-31	9" NIPPLE	2	
32	SL4-32	SCREW (FINISHED)	2	
33	SL4-33	SHORT THROW TUBE	2	

Approximate Measurements. All products and specifications are subject to change without notice. Randolph Morris is not responsible for typographical and/or dimensional errors. Typographical errors are subject to correction. *Note:* Rough-in dimensions may vary +/- 1/2" and are subject to change. No responsibility is assumed by Randolph Morris.