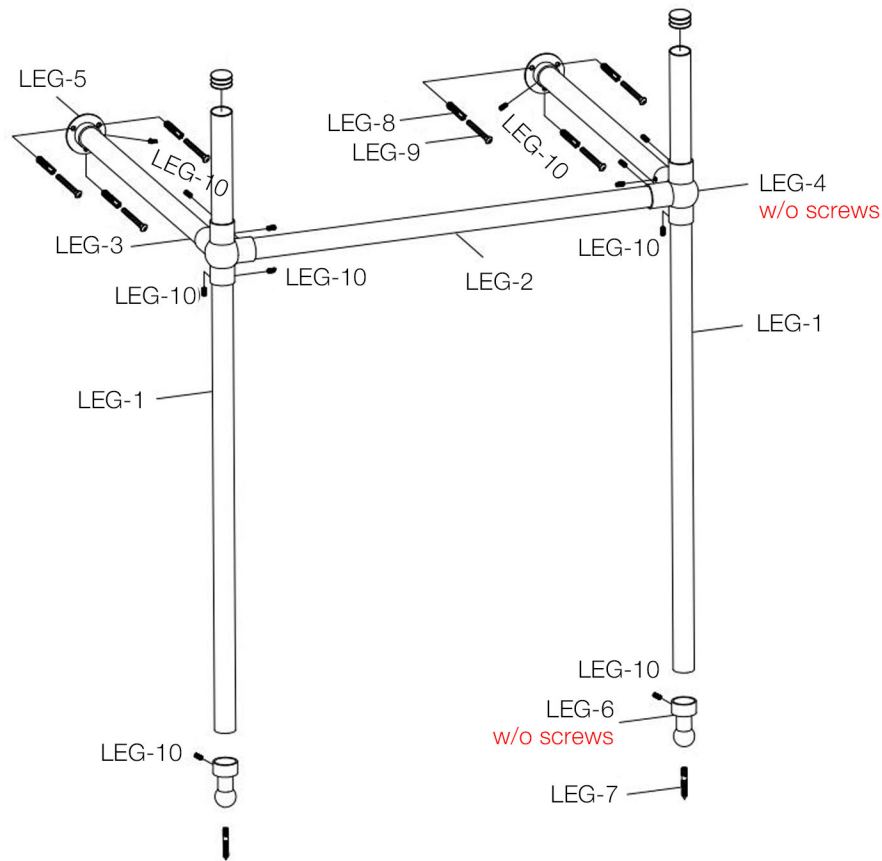




## Metal Legs

by Randolph Morris

Item#: RMNLEG



Unpack and check all the parts, and read the instructions.

PART NO.	DESCRIPTION	QTY
LEG-1	TUBE 1" x 31"	2
LEG-2	TUBE 1" x 24"	1
LEG-3	TUBE 1" x 17.5"	2
LEG-4	4-WAY CONNECTORS	2
LEG-5	WALL FLANGE	1
LEG-6	FLOOR STAND SUPPORT FLANGE	1
LEG-7	SCREW	2
LEG-8	ANCHOR BOLT SLEEVE	6
LEG-9	SCREW	6
LEG-10	SET SCREW	6
LEG-11	CLIP	2

**Approximate Measurements.** All products and specifications are subject to change without notice. Randolph Morris is not responsible for typographical and/or dimensional errors. Typographical errors are subject to correction.