



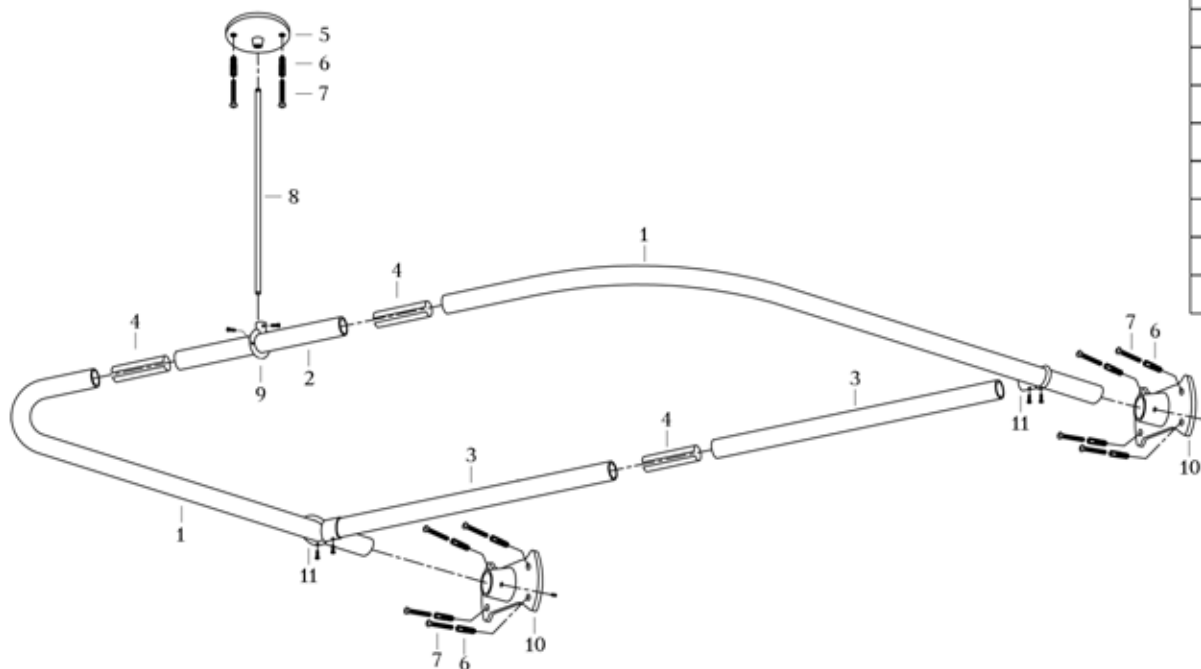
D-Ring Shower Curtain Enclosure Ring

by Randolph Morris

Item#: RMND500

Unpack and check all the parts, and read the instructions.

PART NO.	DESCRIPTION	QTY	NOTES
D500-1	9-1/2"x26" L TUBE	2	1" DIAMETER
D500-2	41-3/8" TUBE	1	1" DIAMETER
D500-3	29-1/2" TUBE	2	1" DIAMETER
D500-4	CONNECTOR	3	1" DIAMETER
D500-5	ROD FLANGE	1	
D500-6	ANCHOR BOLT SLEEVE	10	
D500-7	SCREW	10	
D500-8	36" ROD	1	1/4" DIAMETER x 36"
D500-9	1" LOOP	1	SCREW KIT
D500-10	JUMBO FLANGE	2	
D500-11	1" DIAMETER D LOOP	2	SCREW KIT



Approximate Measurements. All products and specifications are subject to change without notice. Randolph Morris is not responsible for typographical and/or dimensional errors. Typographical errors are subject to correction. *Note:* Rough-in dimensions may vary +/- 1/2" and are subject to change. No responsibility is assumed by Randolph Morris.