



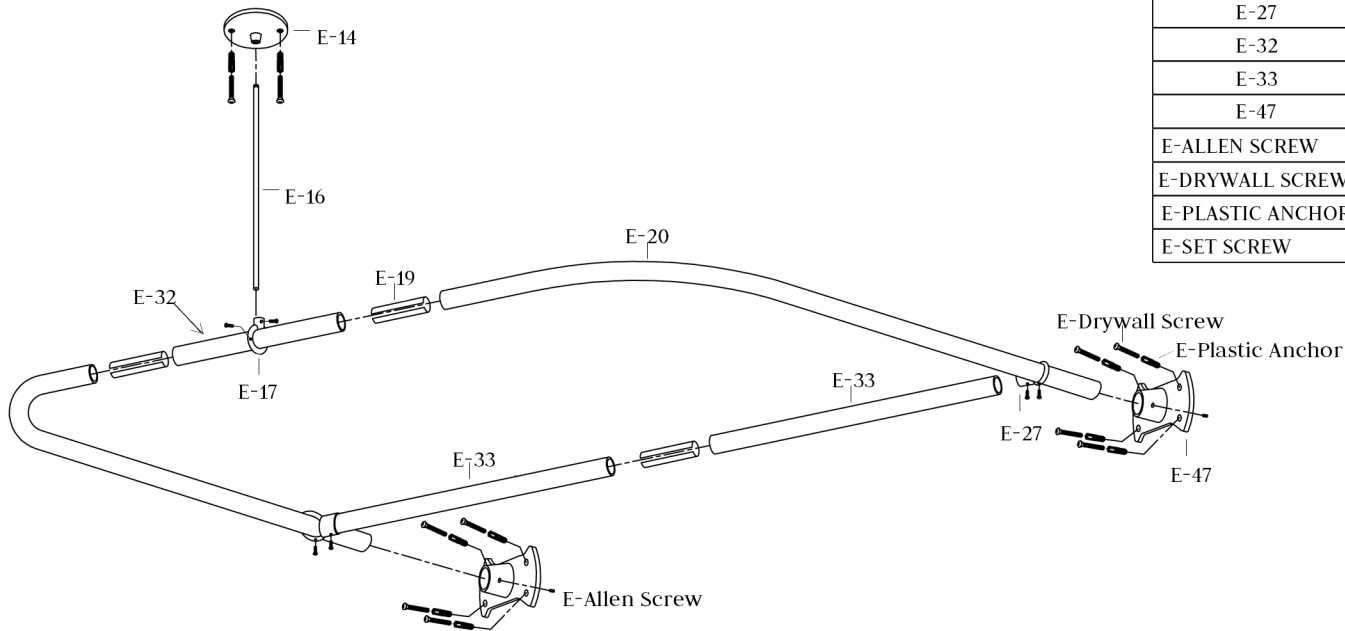
# D-Rod Shower Enclosure Ring

by Randolph Morris

Item#: RMND4854

Unpack and check all the parts, and read the instructions.

PART NO.	DESCRIPTION	QTY	NOTES
E-14	ROD FLANGE	1	
E-16	36" ROD	1	1/4" DIAMETER x 36"
E-17	1" LOOP	1	E-SET SCREW INCLUDED
E-19	CONNECTOR	3	1" DIAMETER
E-20	12" x 48" L TUBE	2	1" DIAMETER
E-27	1" DIAMETER D LOOP	2	E-SET SCREW INCLUDED
E-32	30-3/8" TUBE	1	1" DIAMETER
E-33	26-1/2" TUBE	2	1" DIAMETER
E-47	JUMBO FLANGE	2	E-ALLEN SCREW INCLUDED
E-ALLEN SCREW	ALLEN SCREW	2	
E-DRYWALL SCREW	SCREW	10	
E-PLASTIC ANCHOR	ANCHOR BOLT SLEEVE	10	
E-SET SCREW	SET SCREW	6	



**Approximate Measurements.** All products and specifications are subject to change without notice. Randolph Morris is not responsible for typographical and/or dimensional errors. Typographical errors are subject to correction. *Note:* Rough-in dimensions may vary +/- 1/2" and are subject to change. No responsibility is assumed by Randolph Morris.