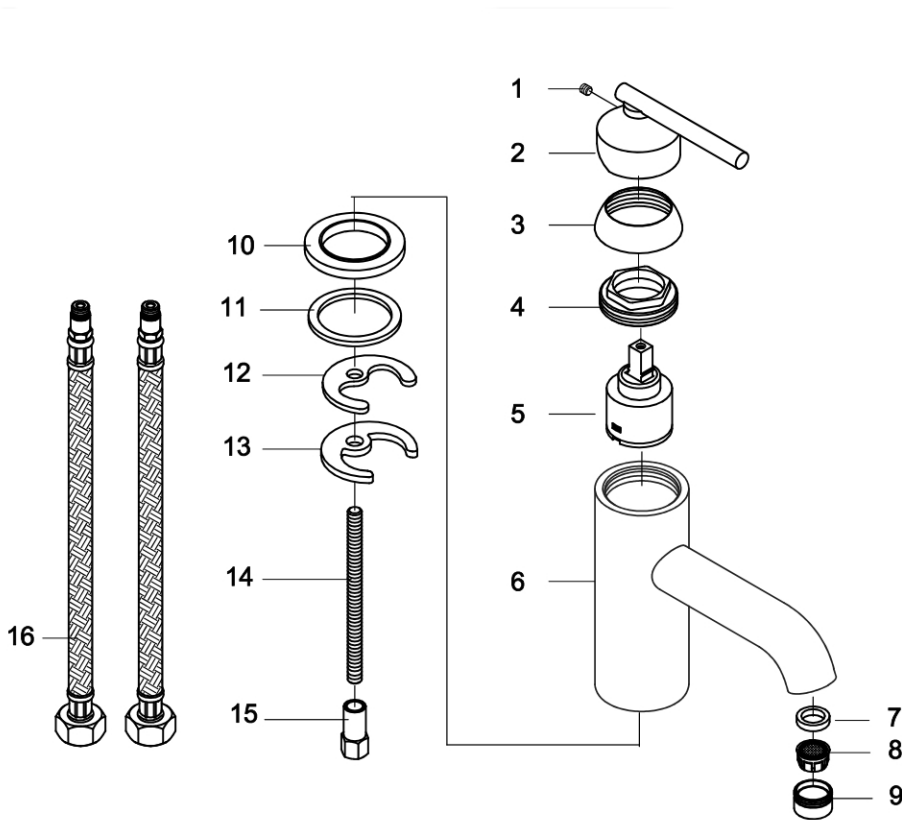




Single Post Bathroom Sink Faucet by Randolph Morris

Item #: RMNAB205



ITEM	PART NO.	DESCRIPTION	Q'TY	NOTE
01	RMNAB205-01	SET SCREW	1	SS-03001451
02	RMNAB205-02	HANDLE	1	310103
03	RMNAB205-03	CAP	1	BR-0610235
04	RMNAB205-04	ADJUSTRING	1	BR-0610135
05	RMNAB205-05	CARTRIDGE	1	CC-35LPJ
06	RMNAB205-06	BODY	1	110101N
07	RMNAB205-07	WASHER	1	OR-L281
08	RMNAB205-08	FILTER	1	ABS-0103G10C
09	RMNAB205-09	AERATOR CAP	1	BR-0610601
10	RMNAB205-10	ESCUTSHEON	1	ZI-0210035
11	RMNAB205-11	O-RING	1	OR-A332
12	RMNAB205-12	WASHER	1	OR-M567
13	RMNAB205-13	WASHER	1	SS-0400101JT
14	RMNAB205-14	SCREW	1	SS-0400212
15	RMNAB205-15	SET NUT	1	BR-0610000
16	RMNAB205-16	HOSE	2	SS-400201YC

All products and specifications are subject to change without notice. Randolph Morris is not responsible for typographical and/or dimensional errors. Typographical errors are subject to correction.

Note: Rough-in dimensions may vary +/- 1/2" and are subject to change. No responsibility is assumed by Randolph Morris.