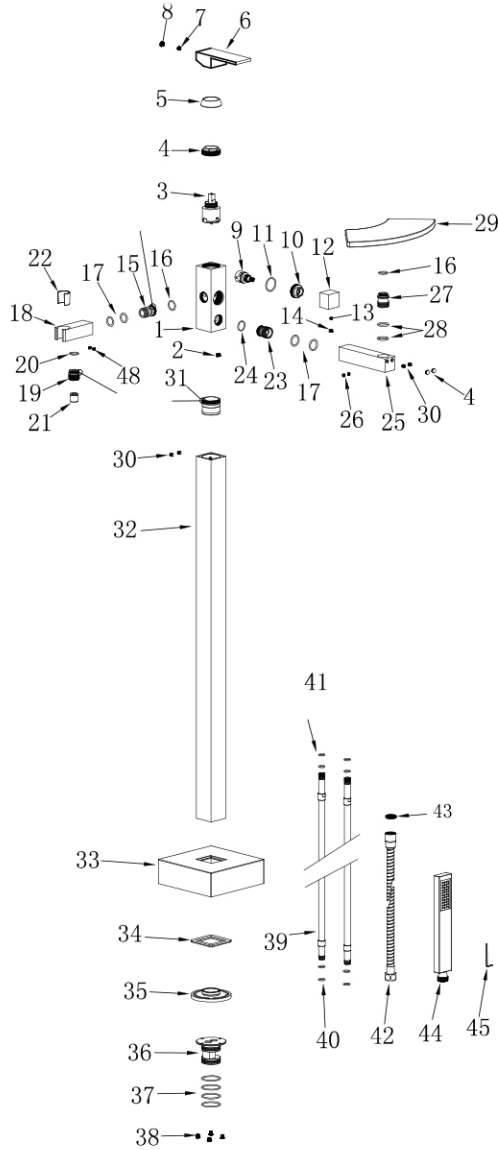




Freestanding Tub Faucet by Randolph Morris

Item #: RML10



45	P20B0008XX	2.5MM Hex Wrench	1	SUS
44	P26T0002PCR	Square Handshower	1	Brass
43	P23A0021XX	Flow Rate Restrictor	1	POM
42	P25B001SPCR	150CM Shower Hose	1	SUS
41	P24X0046XX	O-ring	4	NBR
40	P24X0058XX	O-ring	4	NBR
39	P25T060DSOCR	Brass Inlet Pipes	2	Brass
38	P20B0010XX	Screw	4	SUS
37	P24X0063XX	O-ring	4	NBR
36	P16T0058XX	Brass Rough-in Valve Connector	1	Brass
35	P19T0037XX	Brass Floor Tube Connector 02011	1	Brass
34	P29G0008XX	Rubber-ring 02018	1	NBR
33	P17T0009PCR	Decorative Base 02018	1	Brass
32	P13T0004PCR	Floor Tube 02011	1	Brass
31	P16T0009XCR	Body Connector	1	Brass
30	P20B0013XX	Screw	4	SUS
29	P12T0006PCR	Spout 02010-2	1	Brass
28	P24X0016XX	O-ring	2	NBR
27	P18T0004XX	Water Fall Spout Connector 02010-2	1	Brass
26	P20B0012XX	Screw	2	SUS
25	P12T0005PCR	Connection Spout 02012-2	1	Brass
24	P24X0009XX	O-ring	1	NBR
23	P18T0005XX	Spout Connector 02010	1	Brass
22	P29A0089XX	Handshower Lining	1	ABS
21	P23A0010XX	Check Valve	1	ABS
20	P24X0028XX	O-ring	1	NBR
19	P18T0019XCR	Shower Outlet Connector	1	Brass
18	P14T0006PCR	Shower Holder 02018	1	Brass
17	P24X0013XX	O-ring	4	NBR
16	P24X0008XX	O-ring	2	NBR
15	P18T0020XX	Shower Holder Connector	1	Brass
14	P22A0013XCR	Button Trim	3	ABS
13	P20B0017XX	Screw	1	SUS
12	P15T0058PCR	Diverter Knob	1	Brass
11	P24X0019XX	O-ring	1	NBR
10	P19T0007XCR	Diverter Gland	1	Brass
9	P21A0014XX	Diverter	1	ABS
8	P22A0012XCR	Red and Blue Button	1	ABS
7	P20B0011XX	Screw	3	SUS
6	P15Z0059PCR	Handle 02018	1	Zinc
5	P28T0003PCR	Decorative Cartridge Cap	1	Brass
4	P19T0004XX	Cartridge Gland	1	Brass
3	P21A0052XX	Cartridge	1	ABS
2	P20B0025XX	Screw	1	SUS
1	P11T0007PCR	Faucet Body 02010	1	Brass
NQ.	Component Model	Name of Component	QTY	Material

All products and specifications are subject to change without notice. Randolph Morris is not responsible for typographical and/or dimensional errors. Typographical errors are subject to correction.

Note: Rough-in dimensions may vary +/- 1/2" and are subject to change. No responsibility is assumed by Randolph Morris.