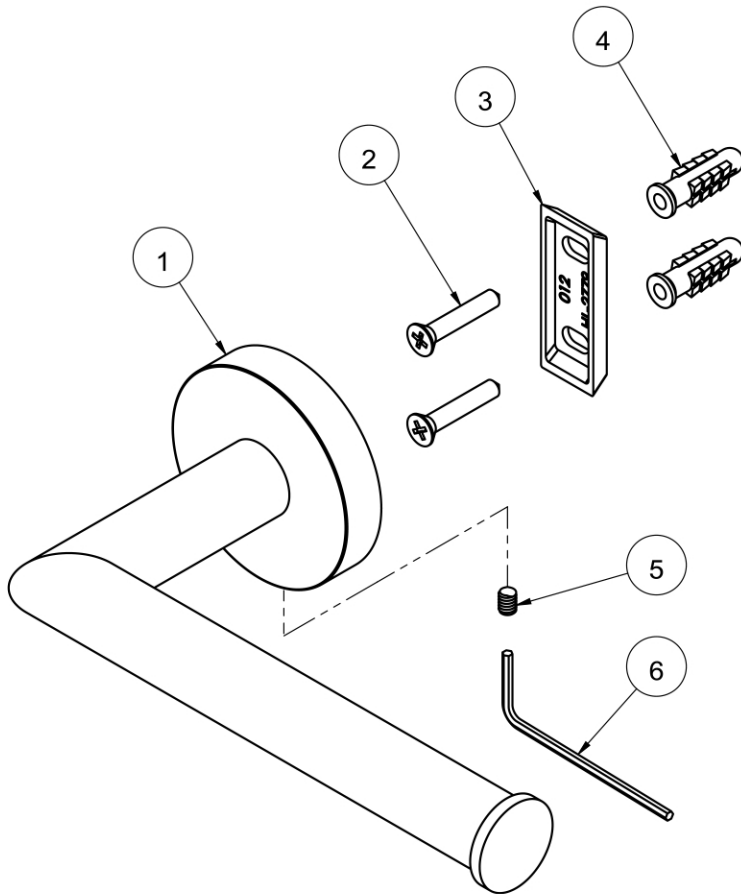




## Toilet Paper Holder by Randolph Morris

Item #: RMHTOILET-SN



No.	Part Name	Part No.	FINISH
1	TP holder	HL-020-2	Y
2	Screw	HL-1430	
3	Bracket	HL-2779	
4	Anchor	HL-1429	
5	Set screw	HL-1406-6.5V	
6	Allen key	HL-2310	

All products and specifications are subject to change without notice. Randolph Morris is not responsible for typographical and/or dimensional errors. Typographical errors are subject to correction.

Note: Rough-in dimensions may vary +/- 1/2" and are subject to change. No responsibility is assumed by Randolph Morris.