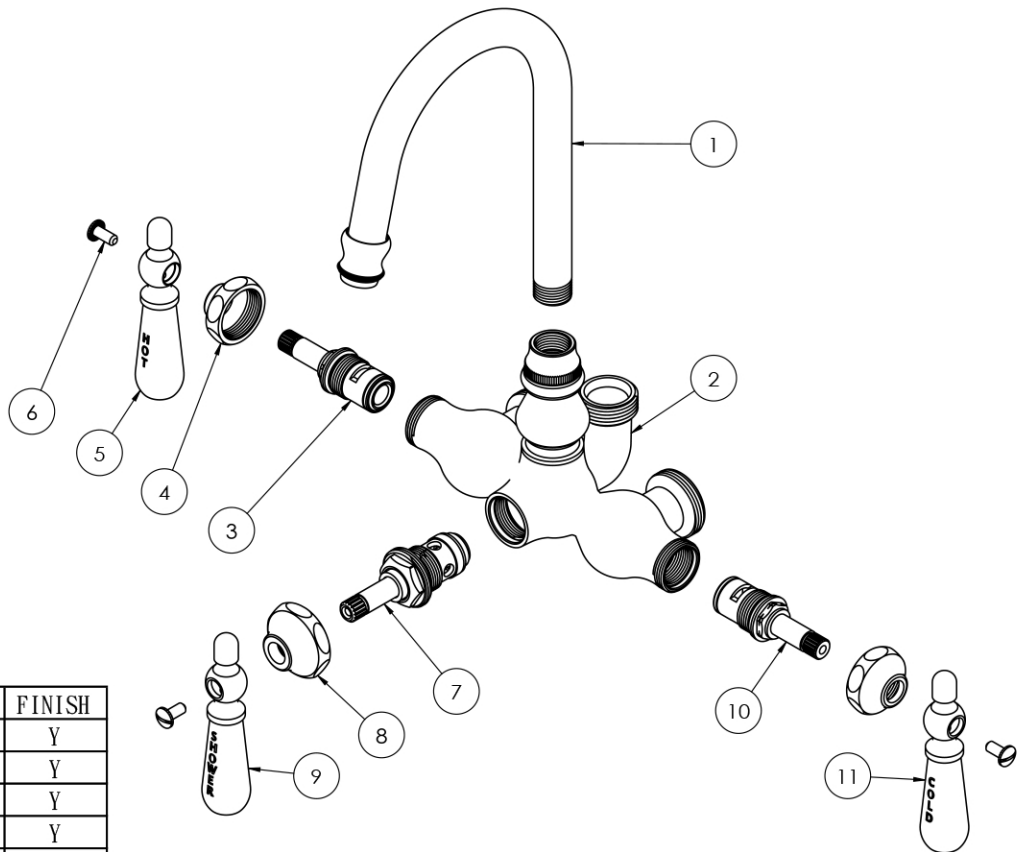




Tub Faucet Body by Randolph Morris

Item #: RMHGSE



No.	Part Name	Part No.	FINISH
1	Spout	HL-2940	Y
2	Faucet body	HLP-0402-BD	Y
3	Cartridge - Hot	HL-160M-32TH	Y
4	Escutcheon	HL-2014	Y
5	Handle - Hot	HL-2113+2333	Y
6	Screw	HL-1414	Y
7	Diverter	HL-1714+1611	Y
8	Escutcheon	HL-2003	Y
9	Handle - Shower	HL-2113+2335	Y
10	Cartridge - Cold	HL-160M-32TC	Y
11	Handle - Cold	HL-2113+2334	Y

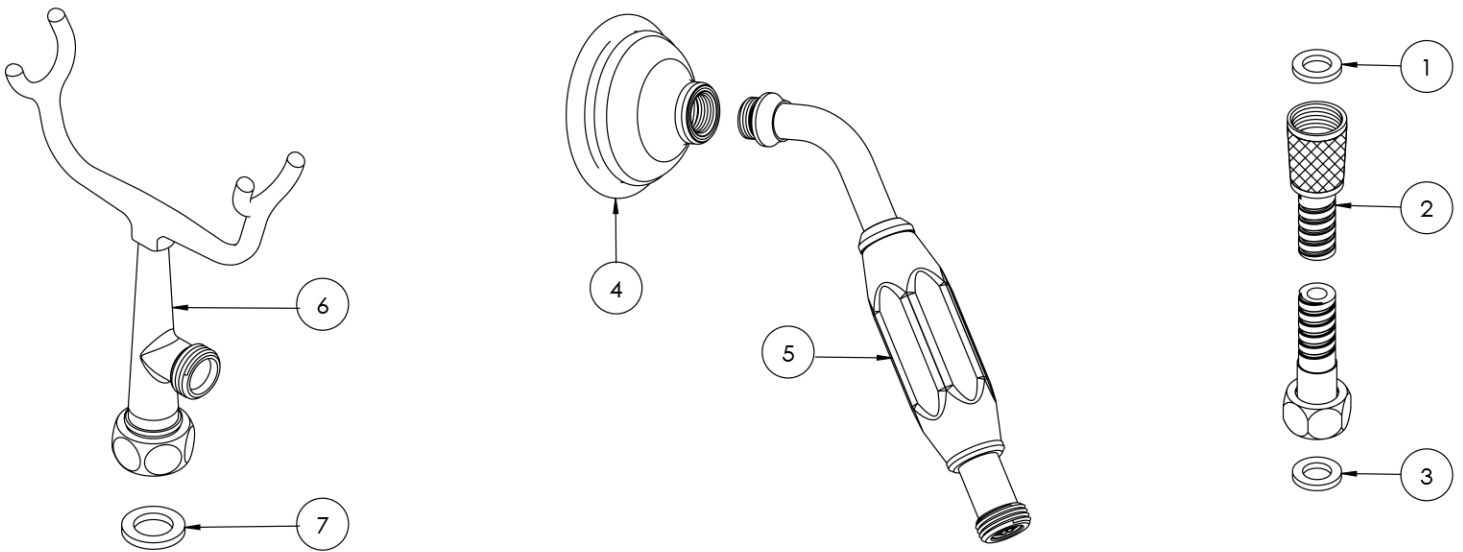
All products and specifications are subject to change without notice. Randolph Morris is not responsible for typographical and/or dimensional errors. Typographical errors are subject to correction.

Note: Rough-in dimensions may vary +/- 1/2" and are subject to change. No responsibility is assumed by Randolph Morris.



Cradle, Hand shower, and Hose by Randolph Morris

Item #: RMH308-



No.	Part Name	Part No.	FINISH
1	Washer	HL-5002-1	
2	Hose	HL-5002	Y
3	Washer	HL-5002-1	
4	Shower head	HL-3710	Y
5	Hand held	HL-4364+5702	Y
6	Cradle	HLP-0144I	Y
7	Washer	HL-1830	

All products and specifications are subject to change without notice. Randolph Morris is not responsible for typographical and/or dimensional errors. Typographical errors are subject to correction.

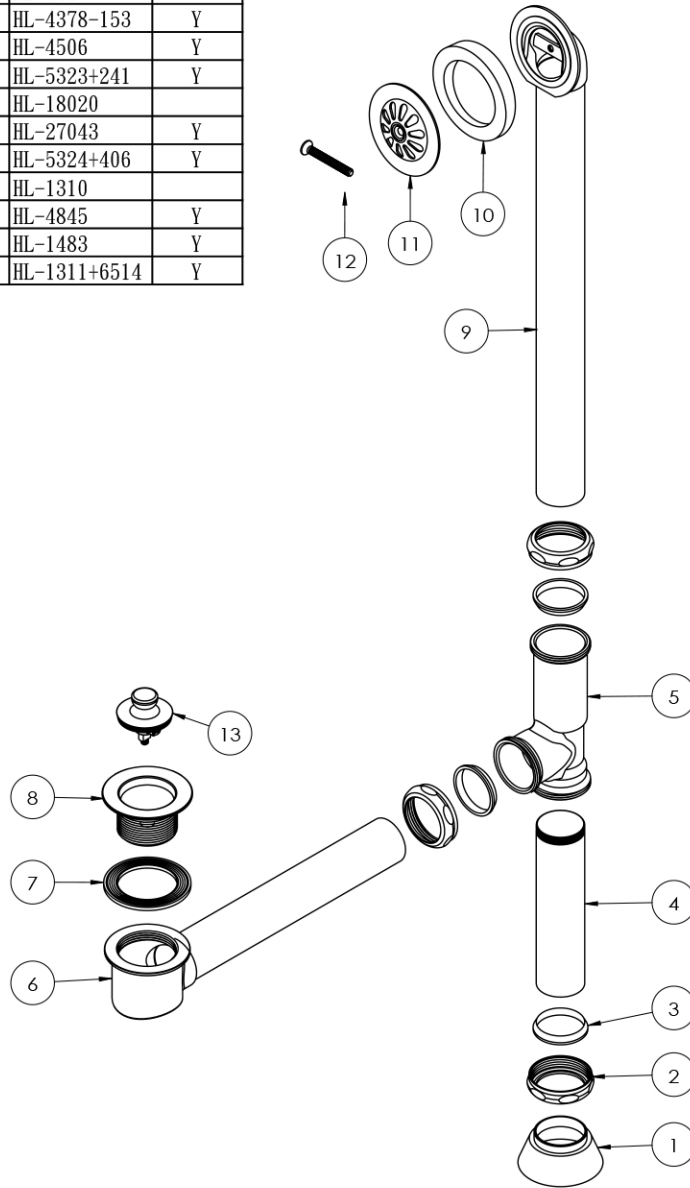
Note: Rough-in dimensions may vary +/- 1/2" and are subject to change. No responsibility is assumed by Randolph Morris.



Life & Turn Clawfoot Tub Drain by Randolph Morris

Item #: RMH6LTD-

No.	Part Name	Part No.	FINISH
1	Escutcheon	HL-4493	Y
2	Nut	HL-3442	Y
3	Sleeve	HL-6428	
4	Tail piece	HL-4378-153	Y
5	3 Way tee	HL-4506	Y
6	Bottom pipe	HL-5323+241	Y
7	Rubber washer	HL-18020	
8	Drain grid	HL-27043	Y
9	Overflow pipe	HL-5324+406	Y
10	Spong washer	HL-1310	
11	Overflow grid	HL-4845	Y
12	Screw	HL-1483	Y
13	Lift & turn	HL-1311+6514	Y



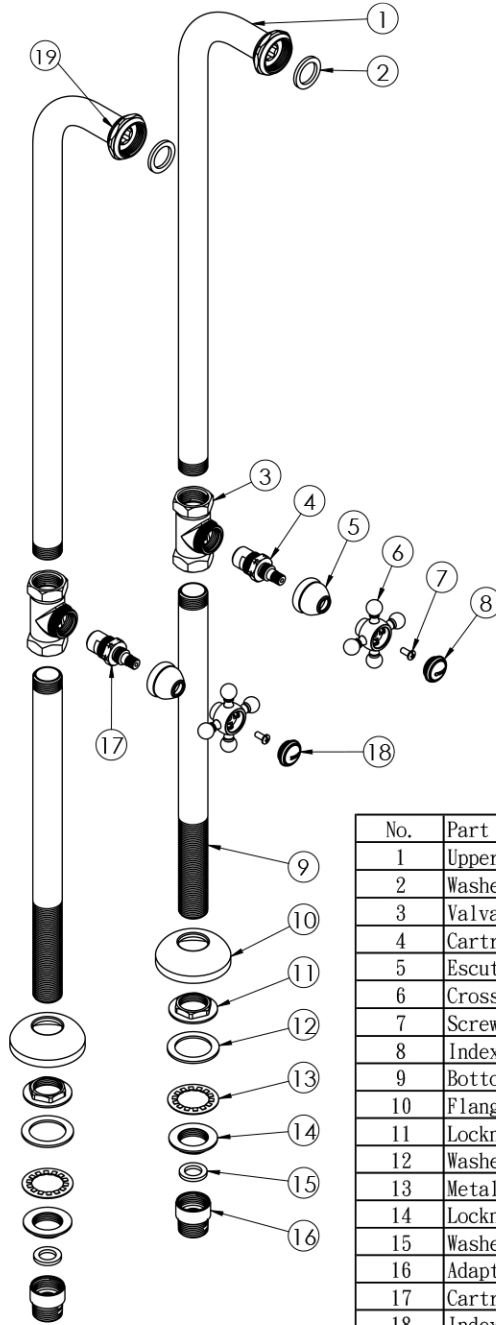
All products and specifications are subject to change without notice. Randolph Morris is not responsible for typographical and/or dimensional errors. Typographical errors are subject to correction.

Note: Rough-in dimensions may vary +/- 1/2" and are subject to change. No responsibility is assumed by Randolph Morris.



Freestanding Tub Supply Lines by Randolph Morris

Item #: RMH399-



No.	Part Name	Part No.	FINISH
1	Upper pipe	HL-43080S	Y
2	Washer	HL-1831	
3	Valva body	HL-4551	Y
4	Cartridge - cold	HL-162M-32TC	
5	Escutcheon	HL-2020	Y
6	Cross handle	HL-23021-BD	Y
7	Screw	HL-1405	
8	Index - cold	HL-2514-C	Y
9	Bottom pipe	HL-43090-13	Y
10	Flange	HL-4808	Y
11	Locknut	HL-3401	
12	Washer	HL-1859	
13	Metal washer	HL-5401	
14	Locknut	HL-3401	
15	Washer	HL-1830	
16	Adaptor	HL-46030-3/4	
17	Cartridge - hot	HL-162M-32TH	
18	Index - hot	HL-2514-H	Y
19	Nut	HL-3418	Y

All products and specifications are subject to change without notice. Randolph Morris is not responsible for typographical and/or dimensional errors. Typographical errors are subject to correction.

Note: Rough-in dimensions may vary +/- 1/2" and are subject to change. No responsibility is assumed by Randolph Morris.