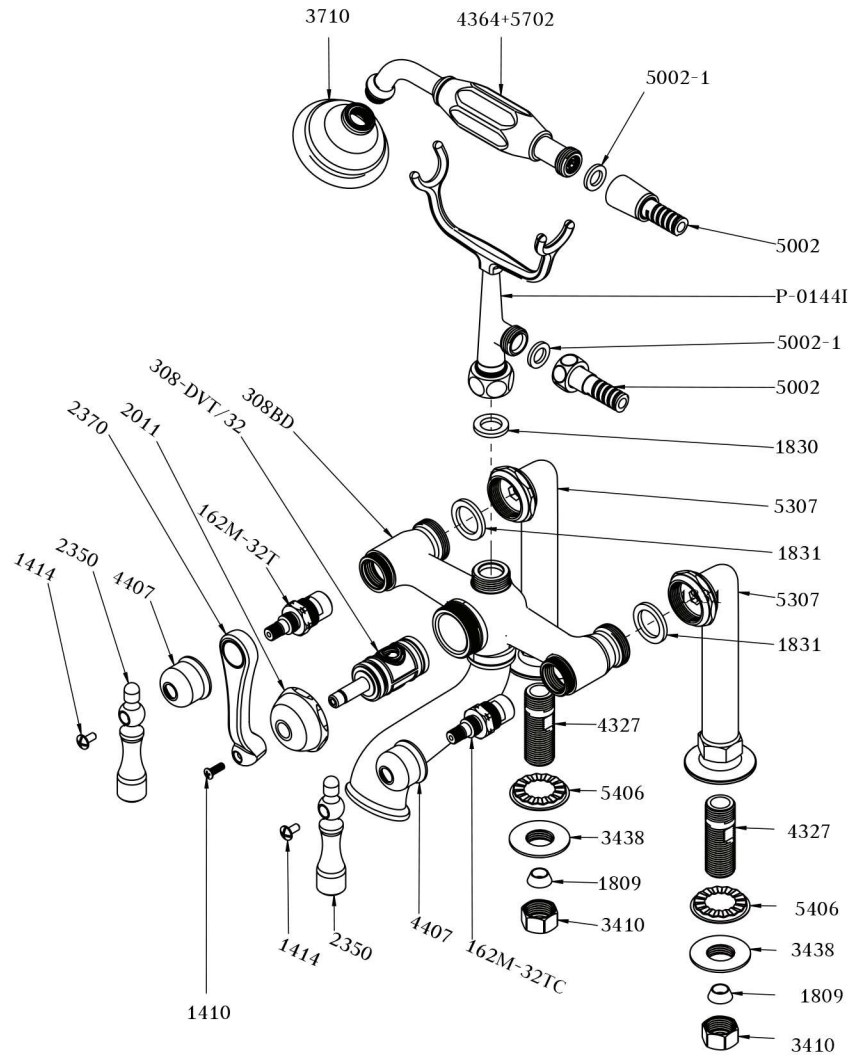




Deck Mount Tub Faucet

by Randolph Morris

Item#: RMH777



Unpack and check all the parts, and read the instructions.

| PART NO. | DESCRIPTION |
|------------|------------------|
| 3710 | SHOWER HEAD |
| 4364+5702 | HAND HELD |
| 5002-1 | WASHER |
| 5002 | HOSE |
| P-0144I | CRADLE |
| 1830 | WASHER |
| 5307 | DECK COUPLER |
| 1831 | WASHER |
| 4327 | NIPPLE |
| 5406 | WASHER |
| 3438 | LOCKNUT |
| 1809 | CONE WASHER |
| 3410 | NUT |
| 308BD | FAUCET BODY |
| 308-DVT/32 | DIVERTER |
| 2011 | ESCUTCHEON |
| 2370 | HANDLE |
| 1410 | SCREW |
| 162M-32TH | CARTRIDGE - HOT |
| 4407 | ESCUTCHEON |
| 2350 | LEVER HANDLE |
| 1414 | SCREW |
| 162M-32TC | CARTRIDGE - COLD |

Approximate Measurements. All products and specifications are subject to change without notice. Randolph Morris is not responsible for typographical and/or dimensional errors. Typographical errors are subject to correction.