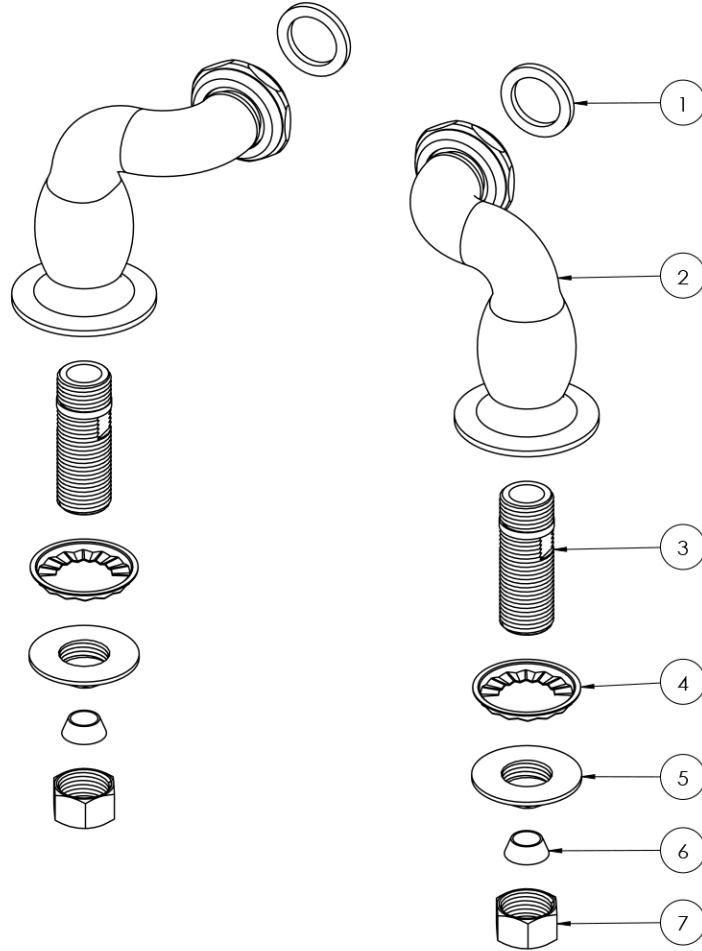




Angled Deck Couplers  
by Randolph Morris

Item #: RMH5317-



| No. | Part Name    | Part No. | FINISH |
|-----|--------------|----------|--------|
| 1   | Washer       | HL-1831  |        |
| 2   | Coupler-Hot  | HL-5317L | Y      |
| 3   | Shank        | HL-4327  |        |
| 4   | Metal washer | HL-5406  |        |
| 5   | Locknut      | HL-3438  |        |
| 6   | Cone Washer  | HL-1809  |        |
| 7   | Nut          | HL-3410  |        |
| 8   | Coupler-Cold | HL-5317R | Y      |

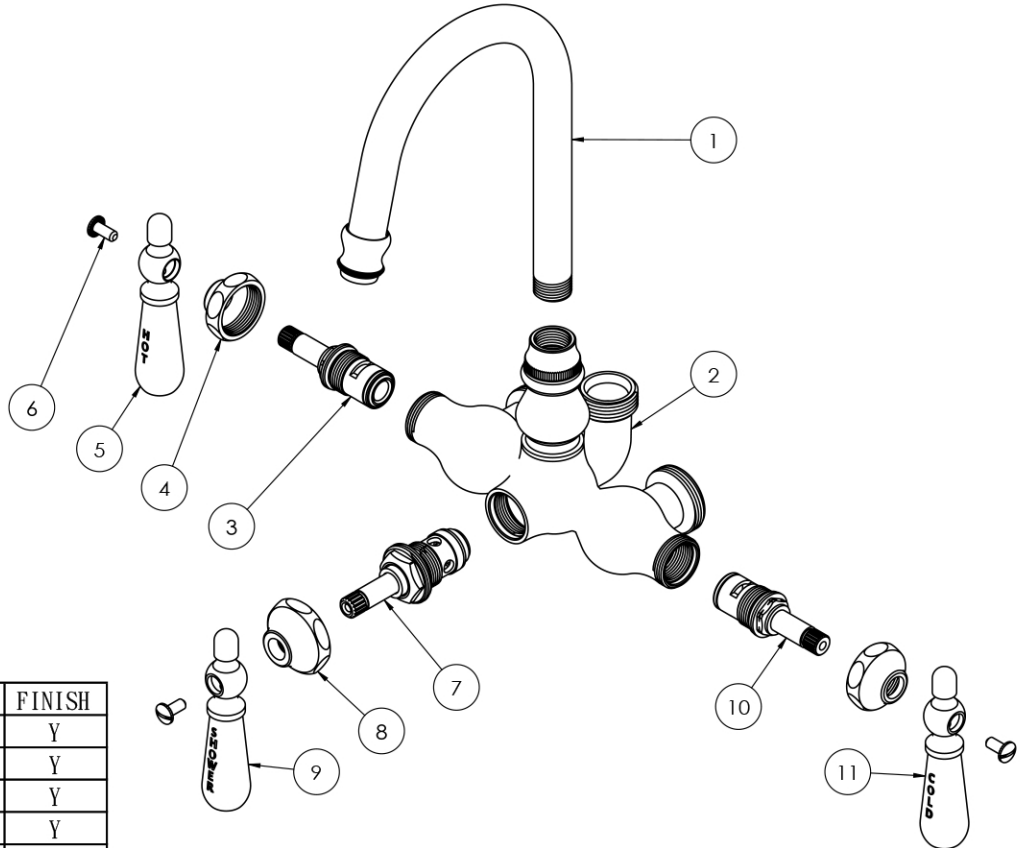
All products and specifications are subject to change without notice. Randolph Morris is not responsible for typographical and/or dimensional errors. Typographical errors are subject to correction.

Note: Rough-in dimensions may vary +/- 1/2" and are subject to change. No responsibility is assumed by Randolph Morris.



## Tub Faucet Body by Randolph Morris

Item #: RMHGSE



| No. | Part Name        | Part No.     | FINISH |
|-----|------------------|--------------|--------|
| 1   | Spout            | HL-2940      | Y      |
| 2   | Faucet body      | HLP-0402-BD  | Y      |
| 3   | Cartridge - Hot  | HL-160M-32TH | Y      |
| 4   | Escutcheon       | HL-2014      | Y      |
| 5   | Handle - Hot     | HL-2113+2333 | Y      |
| 6   | Screw            | HL-1414      | Y      |
| 7   | Diverter         | HL-1714+1611 | Y      |
| 8   | Escutcheon       | HL-2003      | Y      |
| 9   | Handle - Shower  | HL-2113+2335 | Y      |
| 10  | Cartridge - Cold | HL-160M-32TC | Y      |
| 11  | Handle - Cold    | HL-2113+2334 | Y      |

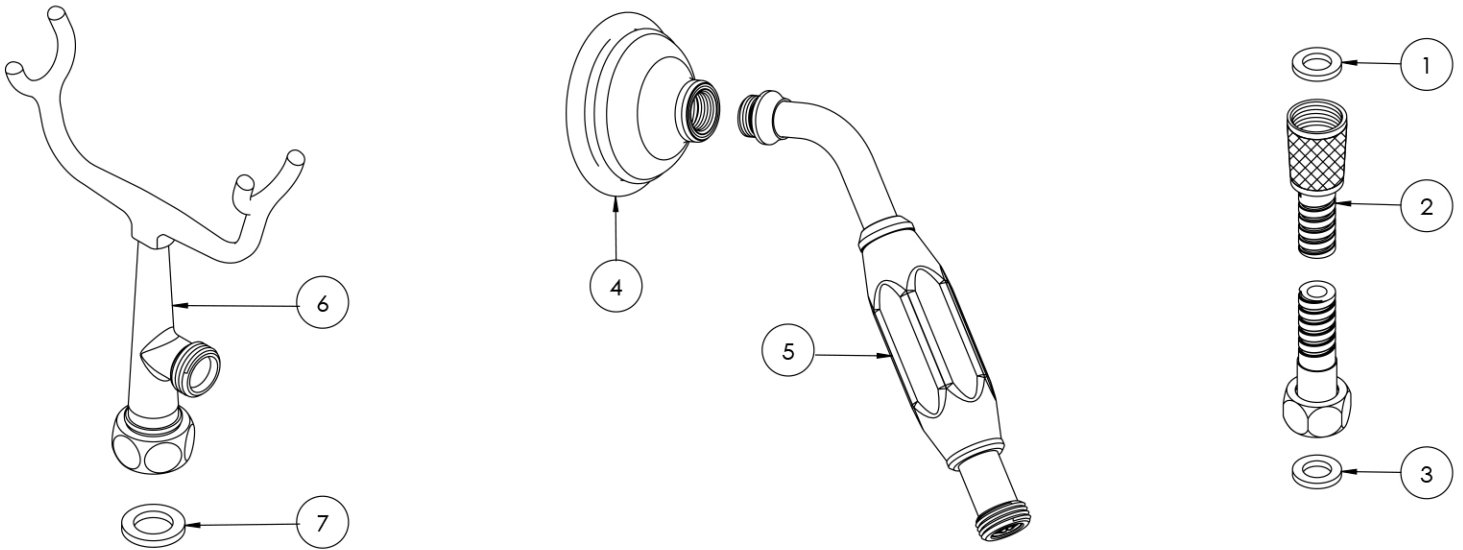
All products and specifications are subject to change without notice. Randolph Morris is not responsible for typographical and/or dimensional errors. Typographical errors are subject to correction.

Note: Rough-in dimensions may vary +/- 1/2" and are subject to change. No responsibility is assumed by Randolph Morris.



## Cradle, Hand shower, and Hose by Randolph Morris

Item #: RMH308-



| No. | Part Name   | Part No.     | FINISH |
|-----|-------------|--------------|--------|
| 1   | Washer      | HL-5002-1    |        |
| 2   | Hose        | HL-5002      | Y      |
| 3   | Washer      | HL-5002-1    |        |
| 4   | Shower head | HL-3710      | Y      |
| 5   | Hand held   | HL-4364+5702 | Y      |
| 6   | Cradle      | HLP-0144I    | Y      |
| 7   | Washer      | HL-1830      |        |

All products and specifications are subject to change without notice. Randolph Morris is not responsible for typographical and/or dimensional errors. Typographical errors are subject to correction.

Note: Rough-in dimensions may vary +/- 1/2" and are subject to change. No responsibility is assumed by Randolph Morris.