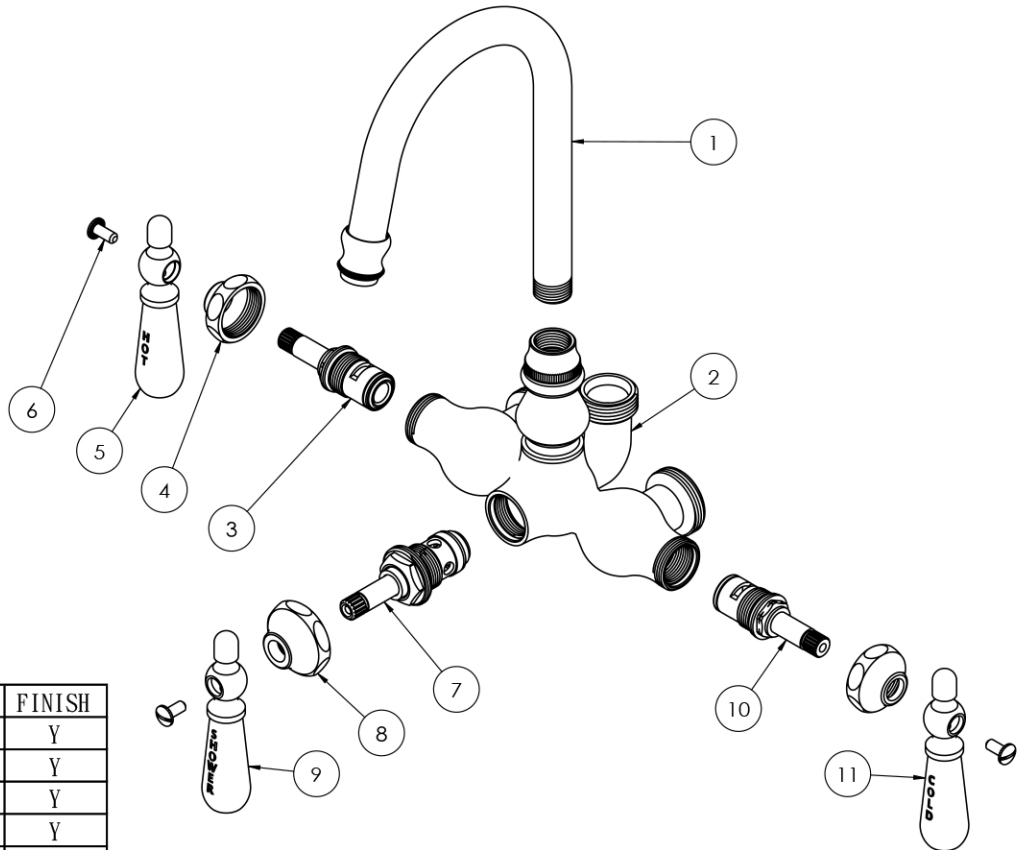




Tub Faucet Body by Randolph Morris

Item #: RMHGSE



No.	Part Name	Part No.	FINISH
1	Spout	HL-2940	Y
2	Faucet body	HLP-0402-BD	Y
3	Cartridge - Hot	HL-160M-32TH	Y
4	Escutcheon	HL-2014	Y
5	Handle - Hot	HL-2113+2333	Y
6	Screw	HL-1414	Y
7	Diverter	HL-1714+1611	Y
8	Escutcheon	HL-2003	Y
9	Handle - Shower	HL-2113+2335	Y
10	Cartridge - Cold	HL-160M-32TC	Y
11	Handle - Cold	HL-2113+2334	Y

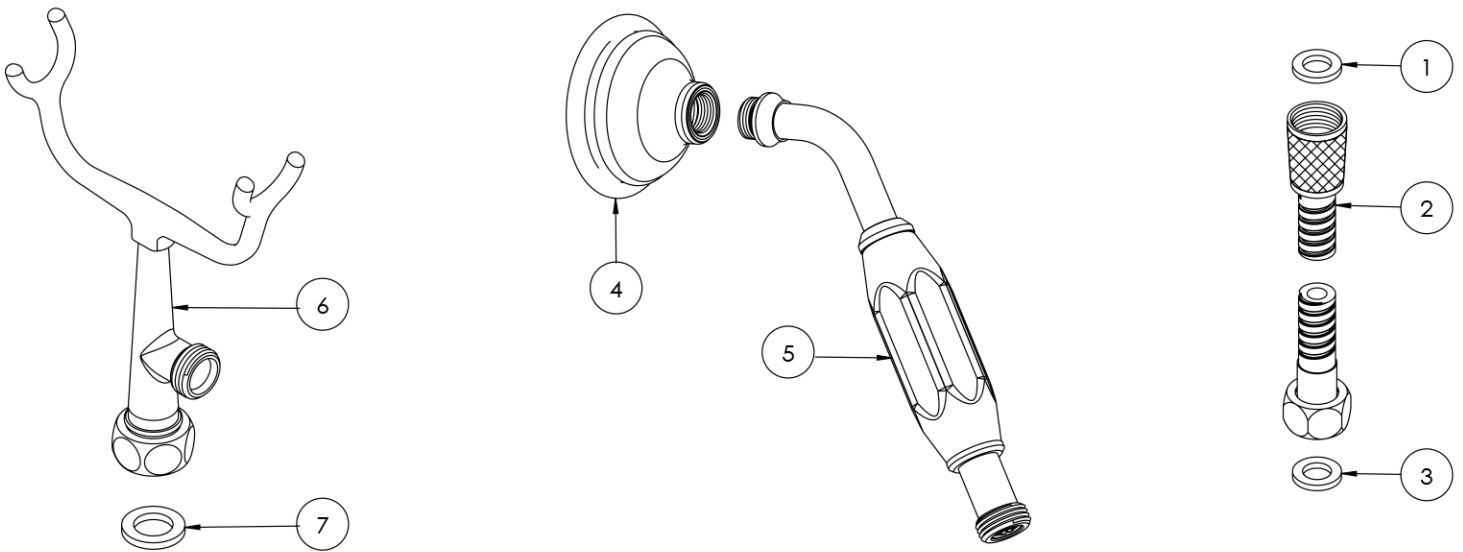
All products and specifications are subject to change without notice. Randolph Morris is not responsible for typographical and/or dimensional errors. Typographical errors are subject to correction.

Note: Rough-in dimensions may vary +/- 1/2" and are subject to change. No responsibility is assumed by Randolph Morris.



Cradle, Hand shower, and Hose by Randolph Morris

Item #: RMH308-



No.	Part Name	Part No.	FINISH
1	Washer	HL-5002-1	
2	Hose	HL-5002	Y
3	Washer	HL-5002-1	
4	Shower head	HL-3710	Y
5	Hand held	HL-4364+5702	Y
6	Cradle	HLP-0144I	Y
7	Washer	HL-1830	

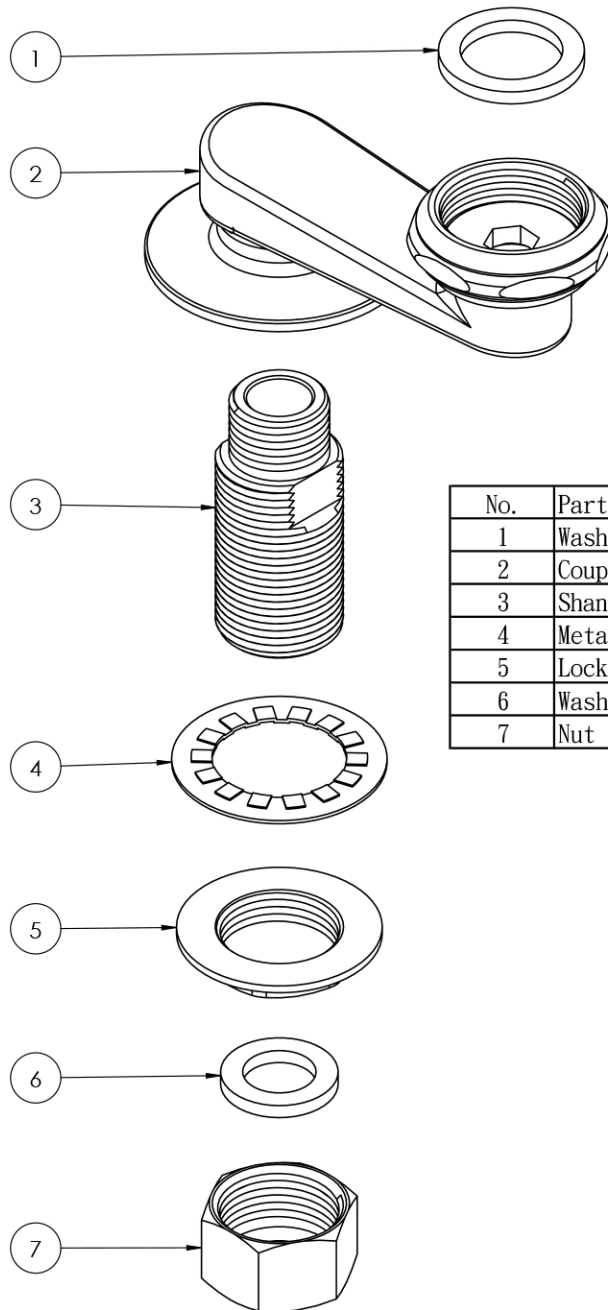
All products and specifications are subject to change without notice. Randolph Morris is not responsible for typographical and/or dimensional errors. Typographical errors are subject to correction.

Note: Rough-in dimensions may vary +/- 1/2" and are subject to change. No responsibility is assumed by Randolph Morris.



Wall Mount Swing Couplers
by Randolph Morris

Item #: RMH5303-



No.	Part Name	Part No.	FINISH
1	Washer	HL-1831	
2	Coupler	HL-5303	Y
3	Shank	HL-4324	
4	Metal washer	HL-5401	
5	Locknut	HL-3401	
6	Washer	HL-1830	
7	Nut	HL-3417	

All products and specifications are subject to change without notice. Randolph Morris is not responsible for typographical and/or dimensional errors. Typographical errors are subject to correction.

Note: Rough-in dimensions may vary +/- 1/2" and are subject to change. No responsibility is assumed by Randolph Morris.