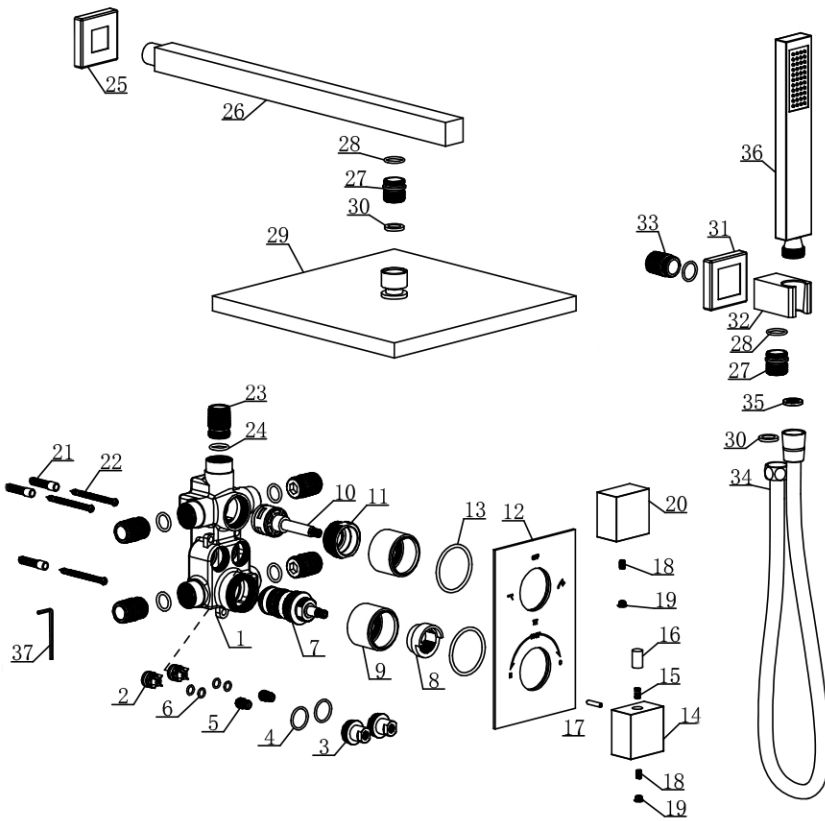




Ceiling Mounted 12" Square Shower by Randolph Morris

Item #: RMFLSHSQ12MB



37	P20B0008XX	2.5MM Hex Nut	1	SUS
36	P26T0002PCR	Square Hand Shower	1	Brass
35	P23A0021XX	Flow Rate Restrictor	1	POM
34	P25B001SPCR	150CM Shower Hose	1	SUS
33	P18T002XX	Wall Connector	1	Brass
32	P14T001PCR	Shower Holder	1	Brass
31	P17T002PCR	Decorative Cover	1	Brass
30	P29X0103XX	Washer	2	NBR
29	P27T001PCR	Shower Head	1	Brass
28	P24X0015XX	O-ring	3	NBR
27	P18T001XCR	Shower Head Connector	2	Brass
26	P12T001PCR	Wall Mounted Shower Arm	1	Brass
25	P17T001PCR	Decorative Cover	1	Brass
24	P24X0060XX	O-ring	5	NBR
23	P18T0080XX	NPT Connector	5	Brass
22	07129-10	Screw	3	SUS304
21	07129-11	Plastic Screw Sleeve	3	ABS
20	P15T0094PCR	Knob	1	Brass
19	P22A0013XCR	Trim	2	ABS
18	P20B0017XX	Screw	2	SUS
17	P15T0096XX	Staple Bolt	1	Brass
16	P15T0095PCR	Knob Button	1	Brass
15	07129-12	Knob Spring	1	SUS
14	P15T0093PCR	Knob	1	Brass
13	07129-9	O-ring	2	NBR
12	P17B0053PCR	Panel	1	SUS
11	07129-8	Connector	1	Brass
10	07129-7	Diverter Cartridge	1	ABS
9	P16T0062PCR	Concealing Sleeve	2	Brass
8	07129-6	Fixing Ring	1	ABS
7	07129-5	Thermostatic Cartridge	1	Brass
6	P24X0067XX	O-ring	4	NBR
5	07129-4	Screw Bolt	2	Brass
4	P24X0017XX	O-ring	2	NBR
3	07129-3	Switch Valve Sleeve	2	Brass
2	07129-2	Check Valve	2	ABS
1	07129-1	Valve Body	1	Brass
NO.	Component Model	Name of Component	QTY	Material

All products and specifications are subject to change without notice. Randolph Morris is not responsible for typographical and/or dimensional errors. Typographical errors are subject to correction.

Note: Rough-in dimensions may vary +/- 1/2" and are subject to change. No responsibility is assumed by Randolph Morris.