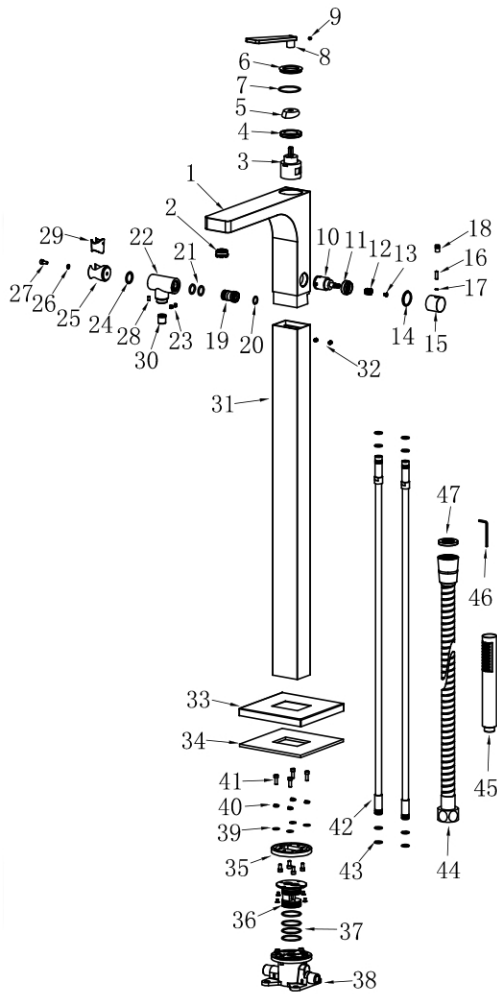




## Freestanding Tub Faucet by Randolph Morris

Item #: RMF2048



No.	Component Model	Name of Component	QTY	Material
47	P23A0021XX	Flow Restrictor	1	ABS
46	P20B0008XX	2.5MM Hex Wrench	1	SUS
45	P26T0001PCR	Round Handshower	1	Brass
44	P25B001SPCR	150CM Shower Hose	1	SUS
43	P24X0054XX	O-ring	8	NBR
42	P25T049DS4CR	Brass Pipe	2	Brass
41	P20B0051XX	Screw	4	SUS
40	P29B0066XX	Φ10 Spring	4	SUS
39	P29B0065XX	Φ12 Washer	4	SUS
38	CB0004	Brass Concealed Box	1	Brass
37	P24X0063XX	O-ring	4	NBR
36	P16T0047XX	Φ14.8 Concealed Box Connector	1	Brass
35	P19T0054XX	Floor Tube Connector 02048	1	Brass
34	P29X0068XX	Protector 02048	1	EPE
33	P17T0047PCR	Decorative Base 02048	1	Brass
32	P20B0013XX	Screw	2	SUS
31	P13T0046PCR	Floor Tube 02048	1	Brass
30	P23A0010XX	Check Valve	1	ABS
29	P29A0075XX	Handshower Protector	1	ABS
28	P20B0032XX	Screw	1	SUS
27	P20B0020XX	Screw	5	SUS
26	P29A0087XX	Washer	1	ABS
25	P14T0035PCR	Swivel Shower Holder 02044	1	Brass
24	P29A0048XX	Shower Holder Friction Washer 02044	1	ABS
23	P20B0012XX	Screw	2	SUS
22	P14T0042PCR	Shower Holder 02048	1	Brass
21	P24X0013XX	O-ring	2	NBR
20	P24X0008XX	O-ring	1	NBR
19	P18T0020XX	Square Shower Holder Connector	1	Brass
18	P15T0071PCR	Handle Level 02042	1	Brass
17	P24X0050XX	O-ring	1	NBR
16	P20B0036XX	Screw	1	SUS
15	P15T0104PCR	Knob 02048	1	Brass
14	P29A0088XX	Wear Resistant Ring	1	ABS
13	P20B0010XX	Screw	5	SUS
12	P29A0090XX	Spline	1	ABS
11	P19T0053XX	Handshower Cartridge Gland 02048	1	Brass
10	P21A0049XX	Handshower Cartridge	1	ABS
9	P20B0017XX	Screw	1	SUS
8	P15T0103PCR	Handle 02048	1	Brass
7	P24X0045XX	O-ring	1	NBR
6	P28T0014PCR	Decorative Cover 02047	1	Brass
5	P28T0022PCR	Decorative Cap 02048	1	Brass
4	P19T0034XX	Cartridge Gland 02030	1	Brass
3	P21A0053XX	Cartridge	1	ABS
2	P23A0026XX	Aerator	1	ABS
1	P11T0118PCR	Body 02048	1	Brass
No.	Component Model	Name of Component	QTY	Material

All products and specifications are subject to change without notice. Randolph Morris is not responsible for typographical and/or dimensional errors. Typographical errors are subject to correction.

Note: Rough-in dimensions may vary +/- 1/2" and are subject to change. No responsibility is assumed by Randolph Morris.