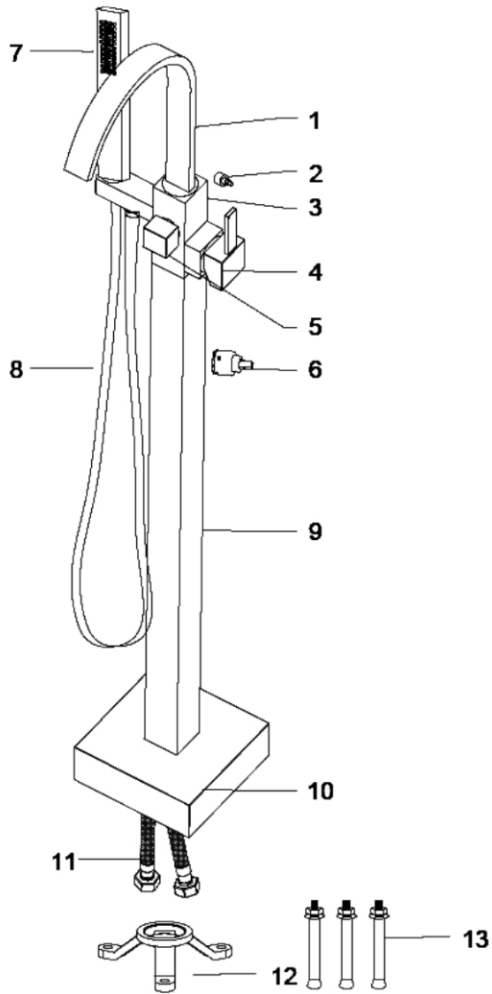




Freestanding Faucet by Randolph Morris

Item #: RMBBF-04



Accessory List

Part Name	Part No.
1、 Tub filler spout	15101
2、 Diverter cartridge	HT15F4010
3、 Assembled body	15102
4、 Zinc handle	15103
5、 Handle	15104
6、 Main cartridge	WHD35-5
7、 Hand shower	8303SQ
8、 Shower hose 2*G1/2	17107.1
9、 Upper escutcheon	15105
10、 Floor escutcheon	15106
11、 Flexible hosesX2	15107
12、 Permanent Seat	15108
13、 Expansion screwX3	17107

All products and specifications are subject to change without notice. Randolph Morris is not responsible for typographical and/or dimensional errors. Typographical errors are subject to correction.

Note: Rough-in dimensions may vary +/- 1/2" and are subject to change. No responsibility is assumed by Randolph Morris.