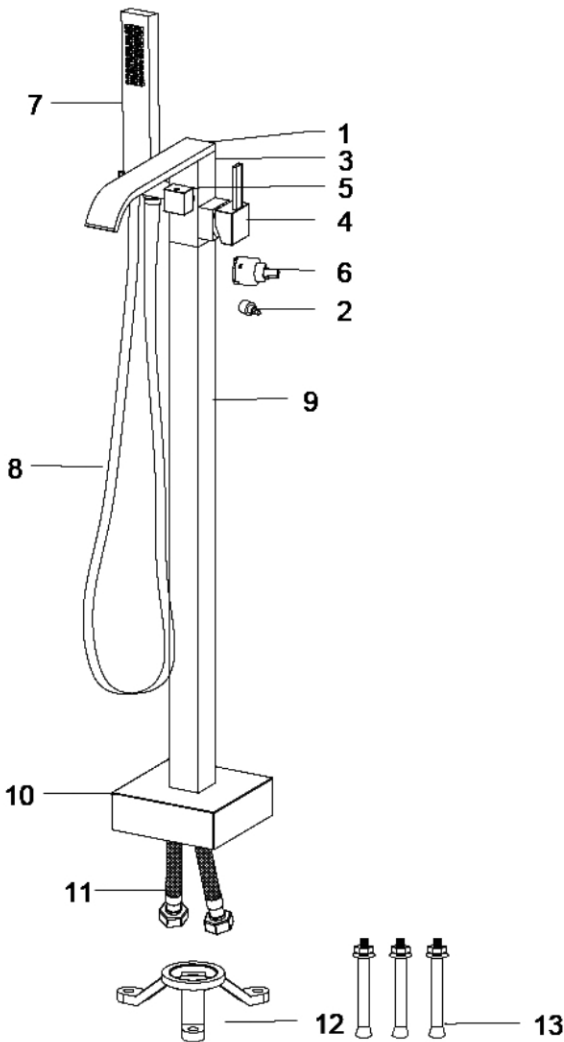




Waterfall Freestanding Faucet by Randolph Morris

Item #: RMBBF-02



Accessory List

Part Name	Part No.
1、 Tub filler spout	12101
2、 Diverter cartridge	WHD22
3、 Assembled body	12102
4、 Zinc handle	12103
5、 Handle	12104
6、 Main caridge	WHD35-1FX
7、 Hand shower	8303SQ
8、 Shower hose 2*G1/2	17107. 1
9、 Upper escutcheon	12106
10、 Floor escutcheon	12107
11、 Flexible hosesX2	17104
12、 Permanent Seat	12108
13、 Expansion screwX3	17107

All products and specifications are subject to change without notice. Randolph Morris is not responsible for typographical and/or dimensional errors. Typographical errors are subject to correction.

Note: Rough-in dimensions may vary +/- 1/2" and are subject to change. No responsibility is assumed by Randolph Morris.