

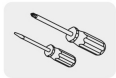
## REQUIREMENT OF USE & MAINTENANCE

- ☒ Please be careful to open the packaging, install and clean products to avoid surface damage.
- ☒ Please use water or neutral detergent to clean the surface of products, and then dry them by the soft towel.
- ☒ Do not use detergent containing scouring powder, polishing powder, or any corrosive substance, or rough cloth to clean the products
- ☒ When you use acidic (alkaline) detergent to clean the objects beside products, it may damage the surface of products, please exercise extra caution.
- ☒ To be suggesting cleaning products regularly to maintain the product appearance bright permanently.

## RECOMMENDED TOOLS



Drill



Screwdrivers

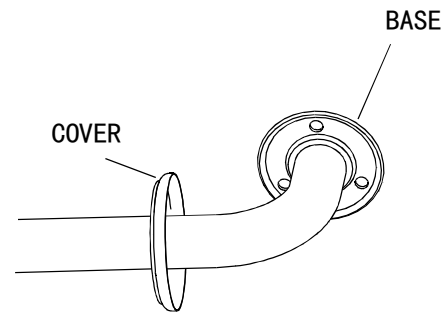


Allen Key

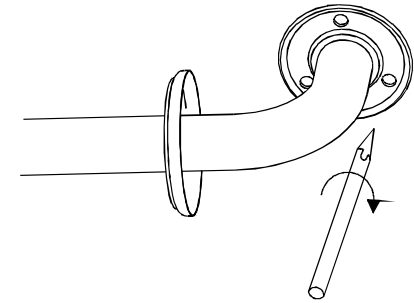


Tapeline

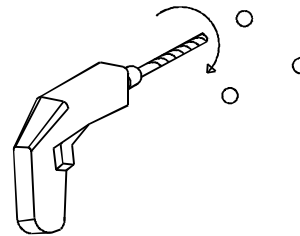
## INSTALLATION



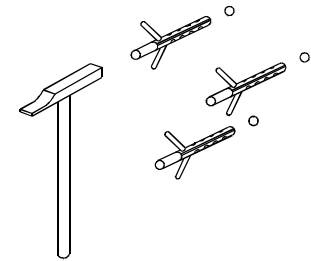
1. Separate the cover from the base.



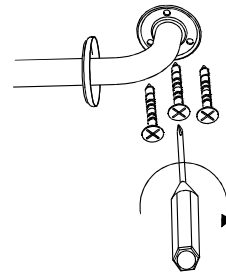
2. Put the grab bar on the install place, draw the mounting screws hole.



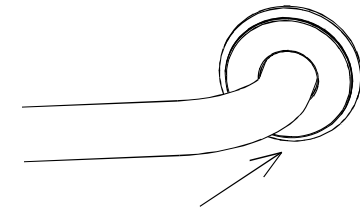
3. Drill the suited mounting holes for plastic fixing.



4. Put the plastic fixings in the holes.



5. Install the grab bar by screws on the wall.



6. Press the cover to the base.