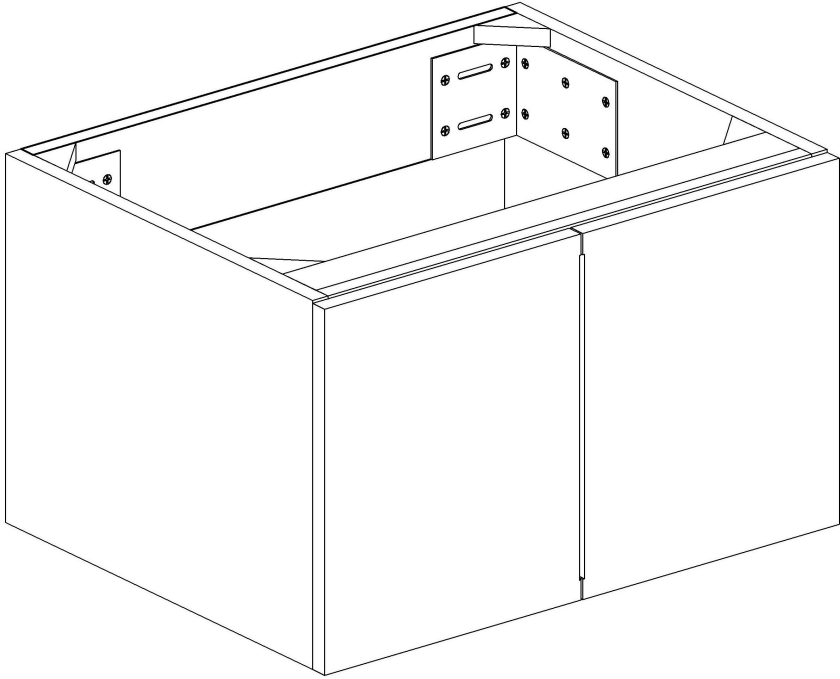


INSTALLATION-Wall Mounted Bathroom Vanity



Model:JM-30

## BEFORE YOU BEGIN

We recommend consulting a professional if you are unfamiliar with installing plumbing fixtures. Manufacturer accepts no liability for any damage to the vanity, plumbing, countertop, sink, wall, or for personal injury during installation.

Observe all local plumbing and building codes.

Unpack and inspect the product for shipping damage. If any damage is found.

## GETTING STARTED

Ensure that you have gathered all of the required tools that are needed for the installation.

Because wall construction and materials vary from home to home, Manufacturer does not always provide all the tools in needed. The appropriate tools and hardware can be purchased from your local hardware store.

The vanity must be fastened to studs behind the finished wall. If the studs do not align with the vanity, proper wood blocking must be installed between the studs where the vanity will mount.

## Tools request not in the box



**Pencil**



**Level**



**Tape Measure**



**Drill**

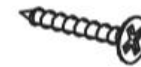


**Stud Finder**



**Phillips Screwdriver**

## Tools in the box

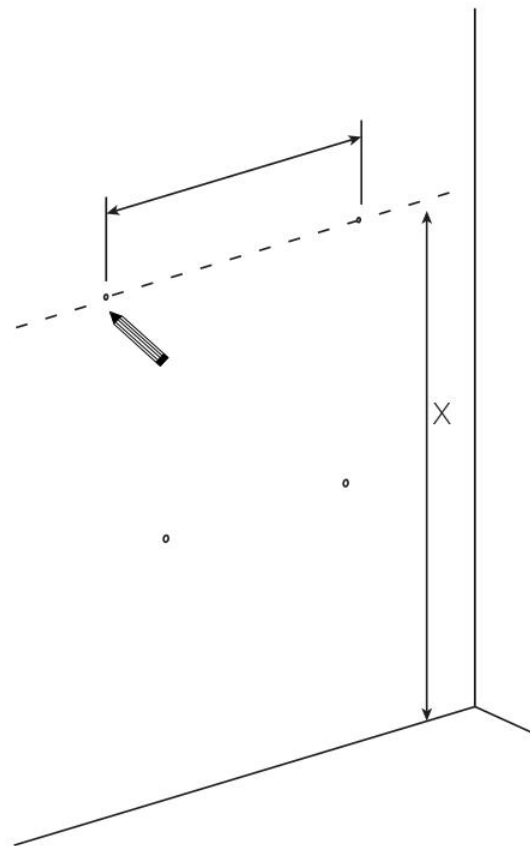


**Screw 4x40 - 6pcs**

## CABINET INSTALLATION

1. Mark the position of the mounting holes on the wall by measuring the space between the centers of the mounting brackets on the back of the vanity. Vertical position (X) is decided by the purchaser. Remember to mark low enough to accommodate the sink on the top of the vanity counter or it will be too high when installed. Use a level to ensure the screw holes are horizontal.

**Important:** If the studs in your bathroom do not line up to the mounting location for your vanity, wood blocking can be installed between the studs using standard 2 x 4's. If the wood blocking needs to be installed behind the finished wall, we recommend consulting a professional if you are unfamiliar with this type of installation



# CABINET INSTALLATION

2. Drill pilot holes at marked mounting points. Insert wall anchors into the mounting holes for reinforcement. Align mounting brackets with pilot holes and secure with provided hardware.

**Note:**Installation can vary depending on wall material, be sure to use the appropriate hardware for your installation. We recommend consulting a professional if you are unfamiliar with this type of installation

