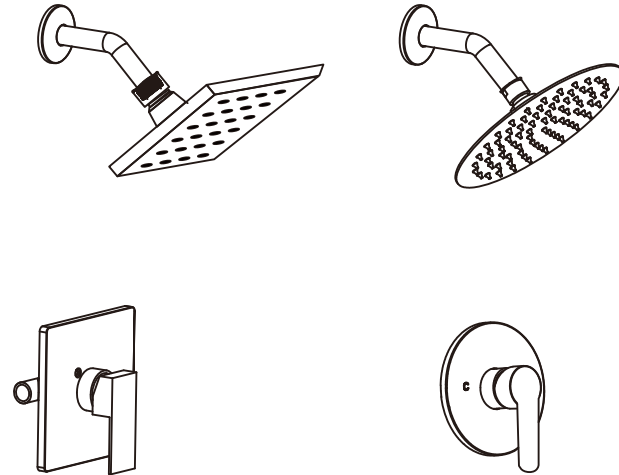
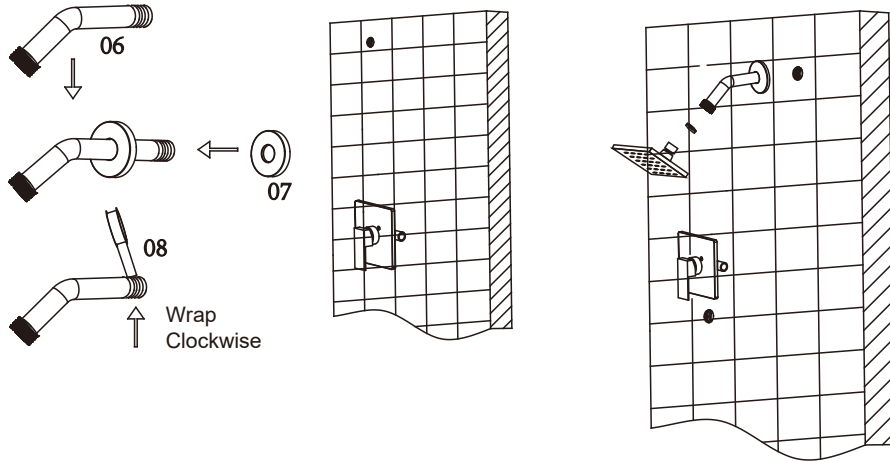


## INSTALLATION STEPS

### Step 5. Install Escutcheon (#07) on Shower Arm (If included)

Wrap all male threaded ends (Clockwise) with Teflon tape (or apply thread sealant).  
Install shower arm and shower head.



Applicable for one, two and three-function shower faucets (As shown above)

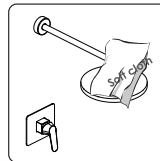
## CARE AND MAINTENANCE

To keep your shower hardware looking like new:

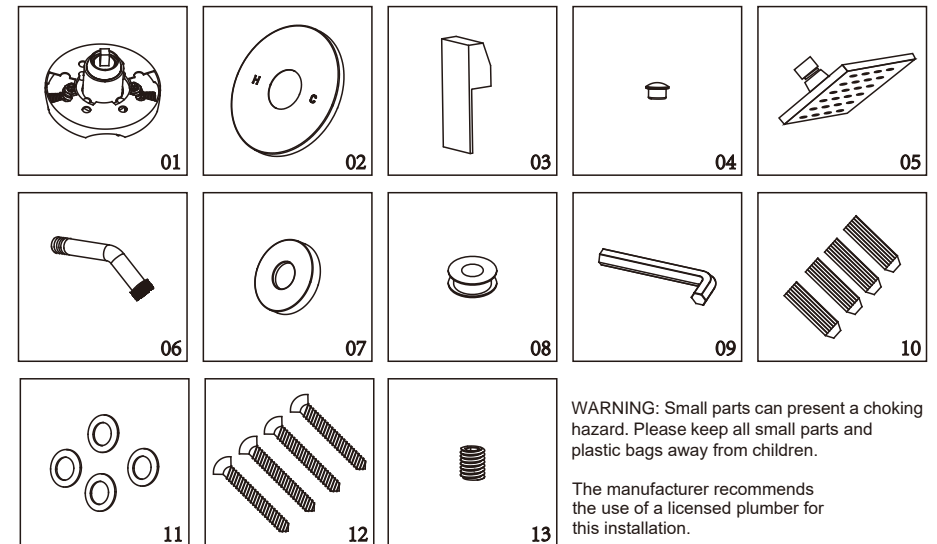
- Regularly wipe all hardware with a damp, soft cloth.
- Use non-abrasive, neutral-ph cleansers; avoid glass cleaners with ammonia.

If doing extensive cleaning, follow these procedures.

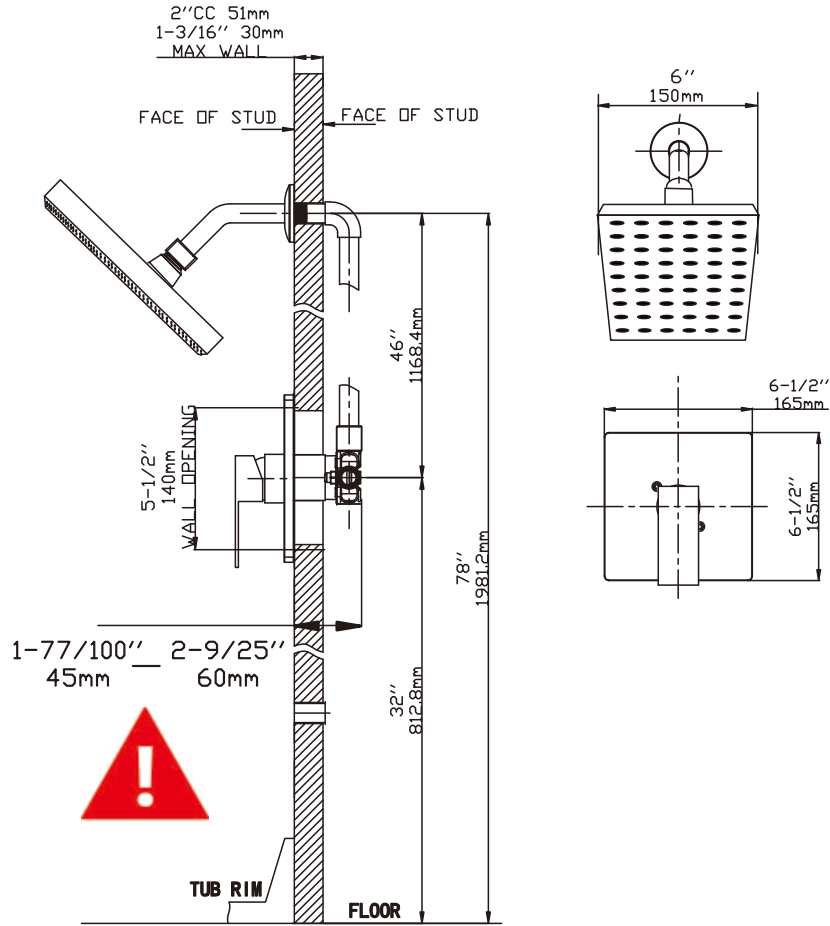
1. Use clean water and a soft cloth. Wipe away mineral deposits and soap residue.
2. Products using diluted vinegar are effective at cleaning stubborn areas.
3. Rinse with clean water only, and wipe with a soft cloth.



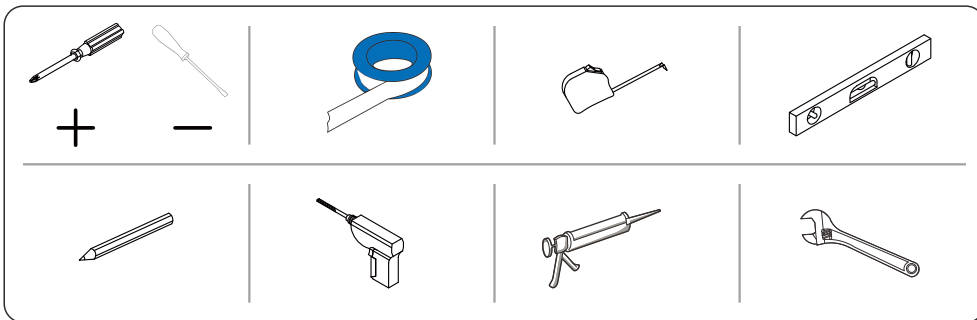
## PRODUCTLIST



## PRODUCT SIZE

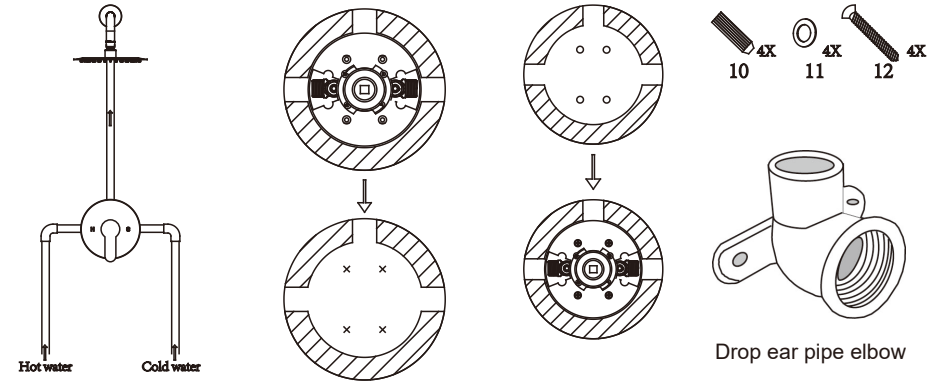


## PRE-INSTALLATION PREPARATION



## INSTALLATION STEPS

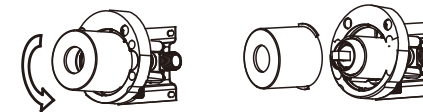
Step 1: The depth pictured is for reference only. A copper drop ear pipe elbow (1/2" -14NPT) is recommended for shower arm installation.



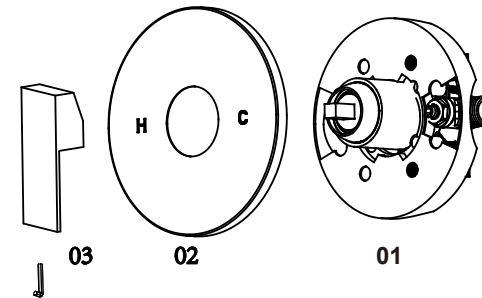
Step 2: Clean the insides of all water pipes and fittings. This product can be installed using Pex, Copper or PVC pipe). Check for leakage and/or blockage on both hot and cold water supplies. (The shower valve must be connected to both hot and cold water supplies for the unit to function correctly.)

Step 3. Do Not exceed tile and wall thickness recommendations and limitations (Pg. 2)

Remove cap



Install Plate and Handle



Step 4. Single Function shower

