

R
A
D
I
A
N
T

H
A
R
D
W
I
R
E
D

I
N
S
T
A
L
L
A
T
I
O
N

I
N
S
T
R
U
C
T
I
O
N
S

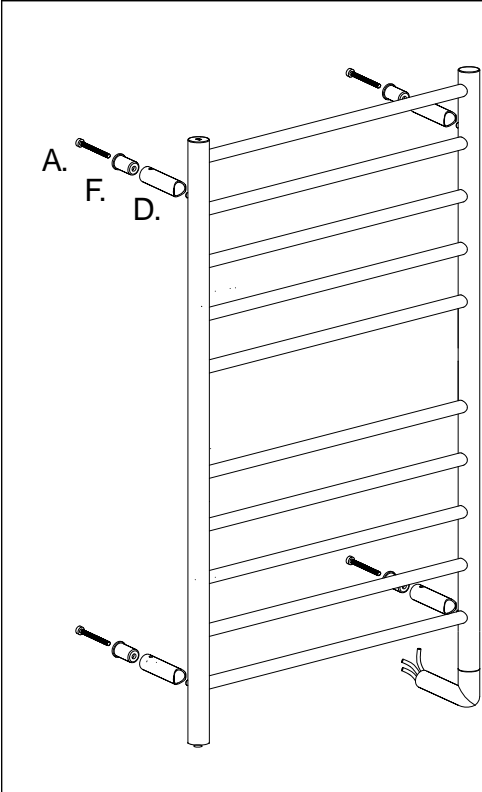


Diagram illustrating the initial assembly of the radiator. It shows a vertical frame with horizontal tubes. Components labeled A (screw), F (plastic bush), and D (tube) are shown being inserted into the tubes. A screwdriver is used to tighten the screw (A) into the tube (D) through the plastic bush (F).

Step 1:
Before you start assembly make sure components listed below are in the package.

Step 2:
Insert plastic bush (F) in tube (D).

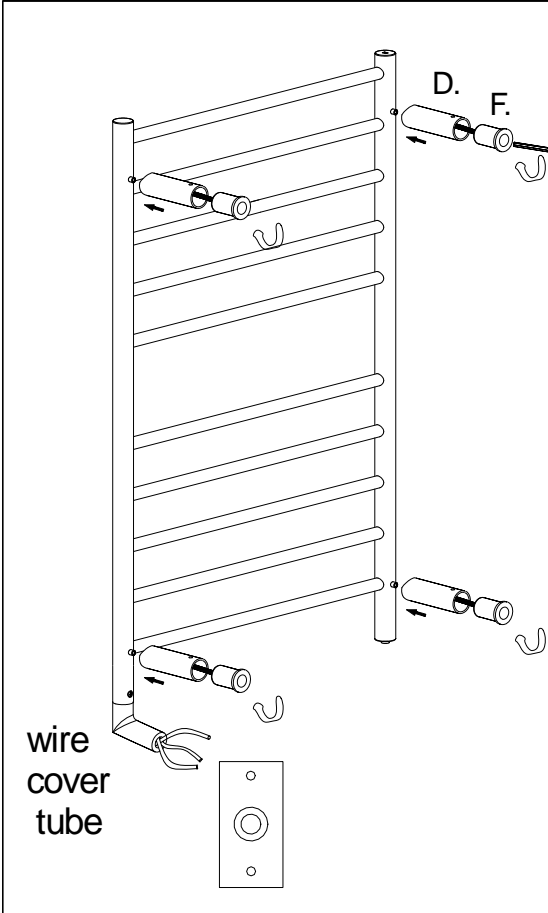


Diagram illustrating the final assembly steps. It shows the radiator frame with tubes. Components labeled D (tube), F (plastic bush), and I (allen key) are shown being attached to the back of the frame. A screw (A) is used to secure the tube (D) to the back of the frame. A wire cover tube is shown being placed over the junction box. A junction box is also shown.

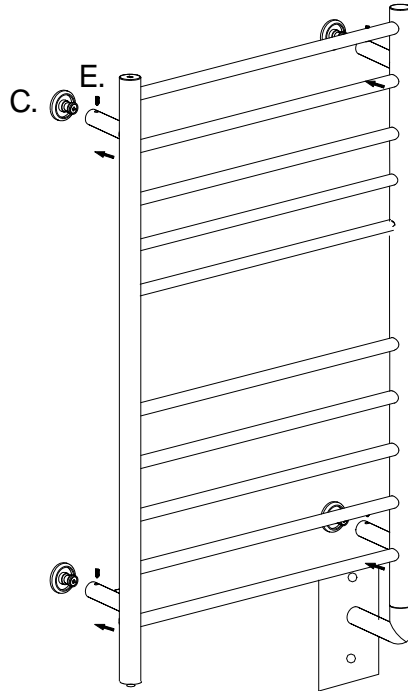
Step 3:
Using screw (A) attach the tube to the nut on the back of the frame with allen key (I).

Step 4:
Place the cover plate over the wire cover tube and position it so that it fits junction box.

wire cover tube

R
A
D
I
A
N
T

H
A
R
D
W
I
R
E
D

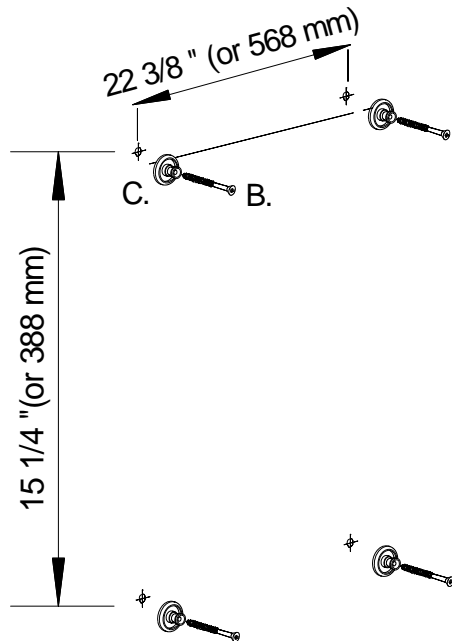


Step 5:

Insert metal bushing (C) in each tube and place frame against wall. Make sure the frame is level and that the wall plate provided is lined up with the junction box on the wall.

Step 6:

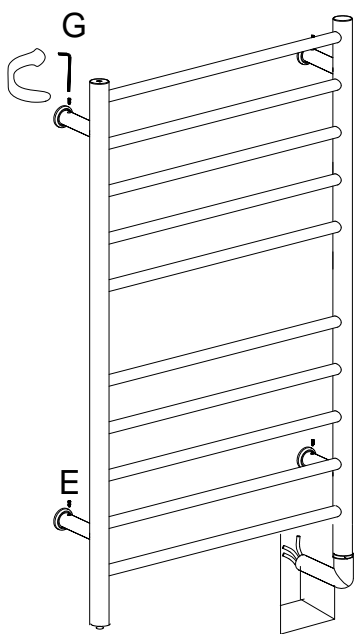
Using a pencil, mark the position of the bushings on the wall.



Step 7:

Remove bushings (C) from tube and using the screws (B) fix the bushings to the wall. Make sure screws are secured in a header or a stud in the wall.

R A D I A N T H A R D W I R E D

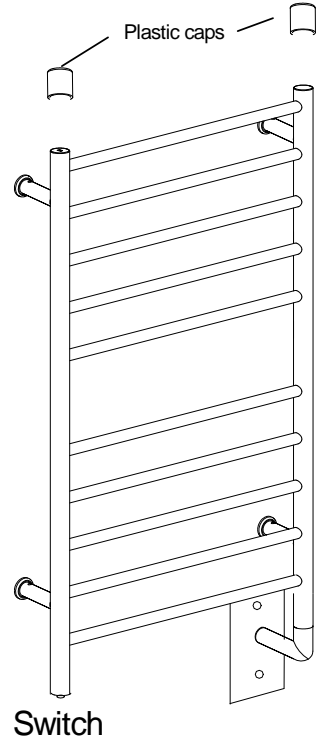


Step 8:

Mount the frame onto the bushings (C) that are fixed to the wall and make sure the tubes are flush against the bushing.

Step 9:

Tighten all the set screws (E) with the allen key (G). Do not over tighten. Make sure frame is firmly fixed to wall.



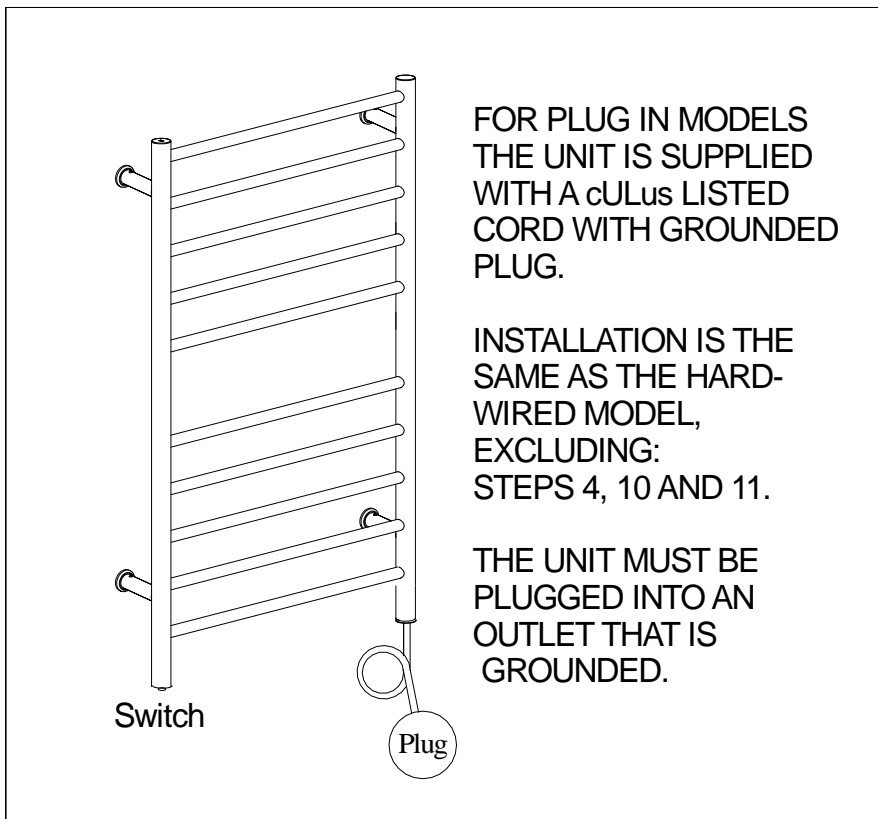
Step 10:

Attach the cover plate (I) to the wire cover tube. Make sure the power is disconnected and then connect the electrical wires in the junction box.

Step 11:

Fasten the cover plate (I) to the junction box. Remove the white plastic caps on top of the vertical posts. Turn the unit on at the switch at the bottom of the left vertical post.

R A D I A N T P L U G I N



FOR PLUG IN MODELS THE UNIT IS SUPPLIED WITH A cULus LISTED CORD WITH GROUNDED PLUG.

INSTALLATION IS THE SAME AS THE HARDWIRED MODEL, EXCLUDING: STEPS 4, 10 AND 11.

THE UNIT MUST BE PLUGGED INTO AN OUTLET THAT IS GROUNDED.

THIS INFORMATION APPLIES TO THE MODELS BELOW:

RWH-SB
RWH-SP
RWH-CB
RWH-CP
RWP-SB
RWP-SP
RWP-CB
RWP-CP

RWH - WALL MOUNTED & HARDWIRED
RWP - WALL MOUNTED & PLUG-IN

C - CURVED
S - STRAIGHT
B - BRUSHED
P - POLISHED

IMPORTANT: READ SAFETY MEASURES BELOW

1. Types of Safety Measures

1.1 Warning: States a hazard which may pose serious injury or death if exact installation instructions are not followed.

1.2 Caution: States a hazard which may pose minor injury and/or product damage if installation instructions are not followed.

1.3 Note: Helpful information which will facilitate installation.

2. Warnings:

2.1. These units should be installed by a certified electrician.

2.2. Follow these installation instructions carefully to ensure unit is properly attached to the wall.

2.3. To avoid a possible fire hazard, it is essential unit is mounted in accordance with guidelines stated in these instruction.

2.4. Unit is intended for indoor use only.

2.5. Do not place units inside a shower, sauna, steam room, or wherever unit would be exposed to water.

2.6. Do not place unit where, if the mounting hardware were to loosen, it could potentially fall into water (i.e., a bathtub, whirlpool, etc.)

3. Cautions:

3.1. Ensure that unit is securely fixed to the wall. Unit is designed for drying towels. Under no circumstances should anybody climb on or hang on unit.

3.2. The fasteners provided with the installation kit are for convenience only and are not suitable for all installation conditions – it is the ultimate responsibility of the installer to ensure proper mounting hardware is employed in attaching the unit to the wall.

3.3. Surface of unit is hot when on.

4. Care and Instructions:

4.1. Towels which contain soap or detergent residue may appear to have scorch marks; however, this is simply discoloration of the residue in the towels themselves. The unit does not reach a temperature sufficient to scorch towels.

4.2. The heated towel rails are constructed from 304 stainless steel. They are extremely durable. To maintain a good appearance follow these simple care instructions:

4.2.1. For routine cleaning, simply switch off the unit, allow to cool to room temperature, wipe with a damp cloth and buff with a soft, dry cloth.

4.2.2. Light scratches and blemishes may be removed by polishing the unit. Unit should be switched off and allowed to cool, before polishing with a commercially available metal polish.

4.2.3. Under no circumstances should abrasive cleaners be used to clean the unit.

Contact us:

If you have any questions or comments please contacts us at:

Email: info@ambaproducts.com Tel: 404-3509738 Fax: 404-3550166

Website: www.ambaproducts.com

Warranty: Two year limited warranty, with proof of purchase, will apply if all Terms and Conditions of Sale are met and Installation Instructions are adhered to.