

WASH STAND INSTALLATION GUIDE



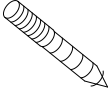
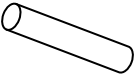

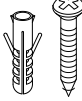
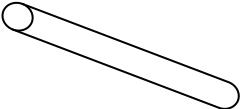
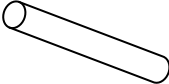
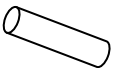

BEFORE YOU BEGIN **** IMPORTANT ****

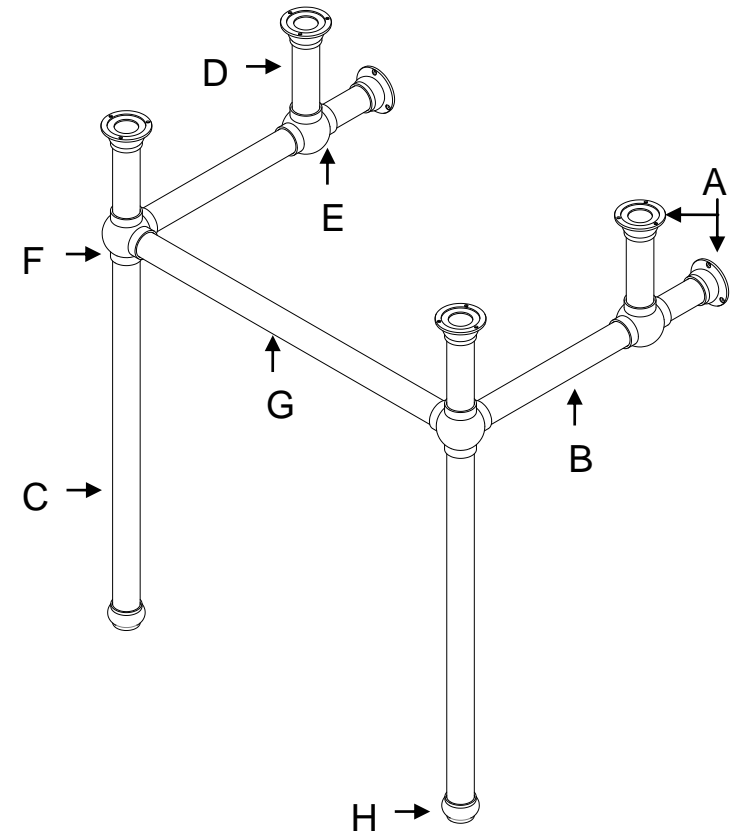
- 1) Professional installation by two-person crew is required for this fixture
- 2) Assembly this fixture on a blanket or smooth cardboard.
- 3) We do recommend installing wood blocking inside your wall to add support to your stand. If you choose not to insert wood blocking, you will need to use heavy duty anchors (such as steel or toggles).
- 4) Slide the joint onto support bar slightly to avoid scratch.

Recommended Tools:

- Drill
- Level
- Hammer
- Pencil
- Silicone
- Phillips head screwdriver
- Safety Glasses

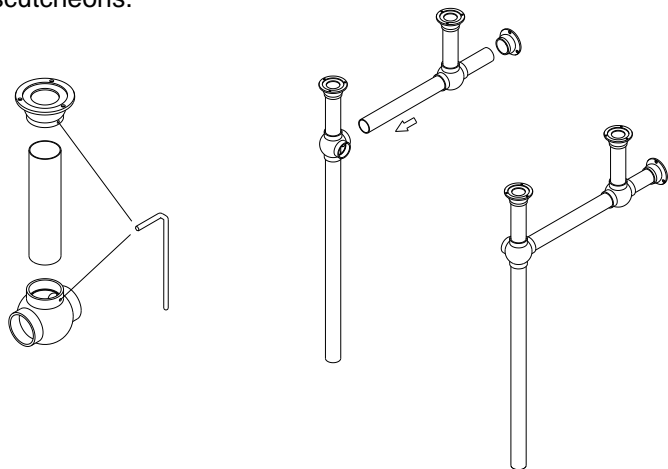
Parts:

(A) Escutcheon x 6 pcs	(E) 3-Way Joint x 2 pcs	(I) Floor Screw x 2 pcs
		
(B) Side Bar x 2 pcs	(F) 4-Way Joint x 2 pcs	(J) Screw & Anchor x 6 pcs
		
(C) Support Bar x 2 pcs	(G) Front Bar x 1 pc	
		
(D) Support Bar x 2 pcs	(H) Foot Flange x 2 pcs	
		

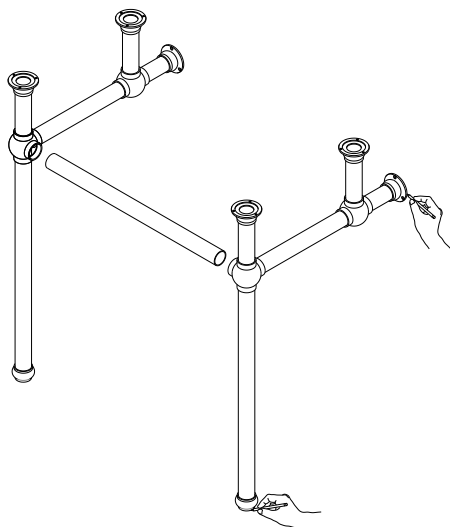


INSTALLATION STEP

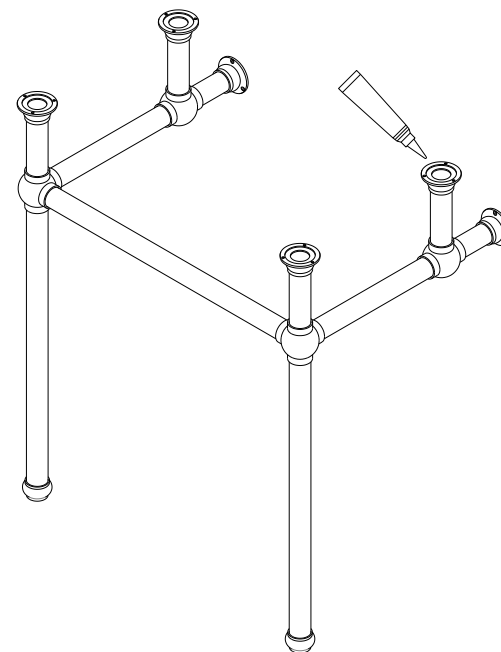
- 1) Assembly the back support as shown. Tighten set screw on the escutcheon and 3-way joint.
- 2) Assembly support legs as shown. Use a level to ensure the top escutcheons are straight. Tighten set screw on the 3-way joint, 4-way joint and all escutcheons.



- 3) After assembling both sides support legs, attach front bar to join both sides and tighten set screw.
- 4) With one person on either side of assembled stand, carefully position the wash stand in desired location. Use a pencil mark position of wall escutcheon screw holes on wall as well as the perimeter of the location of foot flange on floor.



- 5) Thread the floor screw with foot flange and screw it into floor.
- 6) Drill holes on wall for wall escutcheon and push anchors flush with wall
- 7) Insert the support legs into foot flange and fasten wash stand to wall with mounting screws.
- 8) Apply a thin coat of silicone on the top flanges to secure the counter top to stand.
(If counter top need slight leveling adjustment, place attached sponge pads on escutcheon as necessary to stabilize.)





Vanity Top Installation Guide

This bathroom product has been carefully engineered to provide a long, trouble-free service life under normal usage. It has been factory-tested and is ready for installation. We suggest this fixture be installed by a qualified licensed plumber so the warranty will remain in affect (refer to the “General Information” insert for warranty information).

Step 1: Apply bead of quality and clear or white silicone sealant evenly along the top of the Console Top.

Step 2: Place the counter top onto the Console (two people required)

Step 3: Apply silicone sealant evenly along the bottom of the backsplash and wall

Step 4: Finally place the bottom side of the backsplash with sealant onto the countertop and check the alignment of back backsplash.