



Acrylic Clawfoot Tubs Installation Guide

We recommend using a professional plumbing installer if you are unfamiliar with vintage style bathroom fixtures and plumbing. We will not be responsible for any damage to the floor, walls, plumbing, or personal injury during installation. Please review all local plumbing and building codes to be sure your purchase is code compliant for your area.

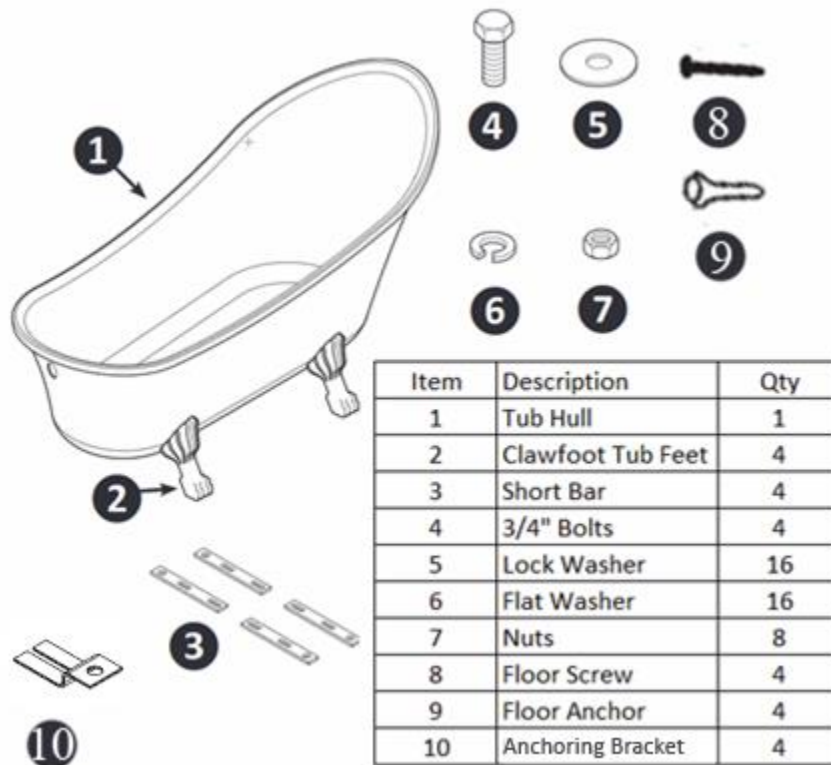
It is recommended to keep the unit in its cardboard box until installation, and to store it in a secure place and avoid exposing it to excessive temperature variation.

Make sure that your floor is able to support the bathtub when filled.

Care must be taken to protect the surface during handling and installation.

Tools Needed: 11/16" wrench, 3/4" wrench,

Materials Included: 4 feet, 4 3/4" bolts, 16 flat washers, 16 lock washers, 8 nuts, 4 short bars, 1 Allen key, 4 floor screws, 4 plastic screw anchors, 4 floor level discs

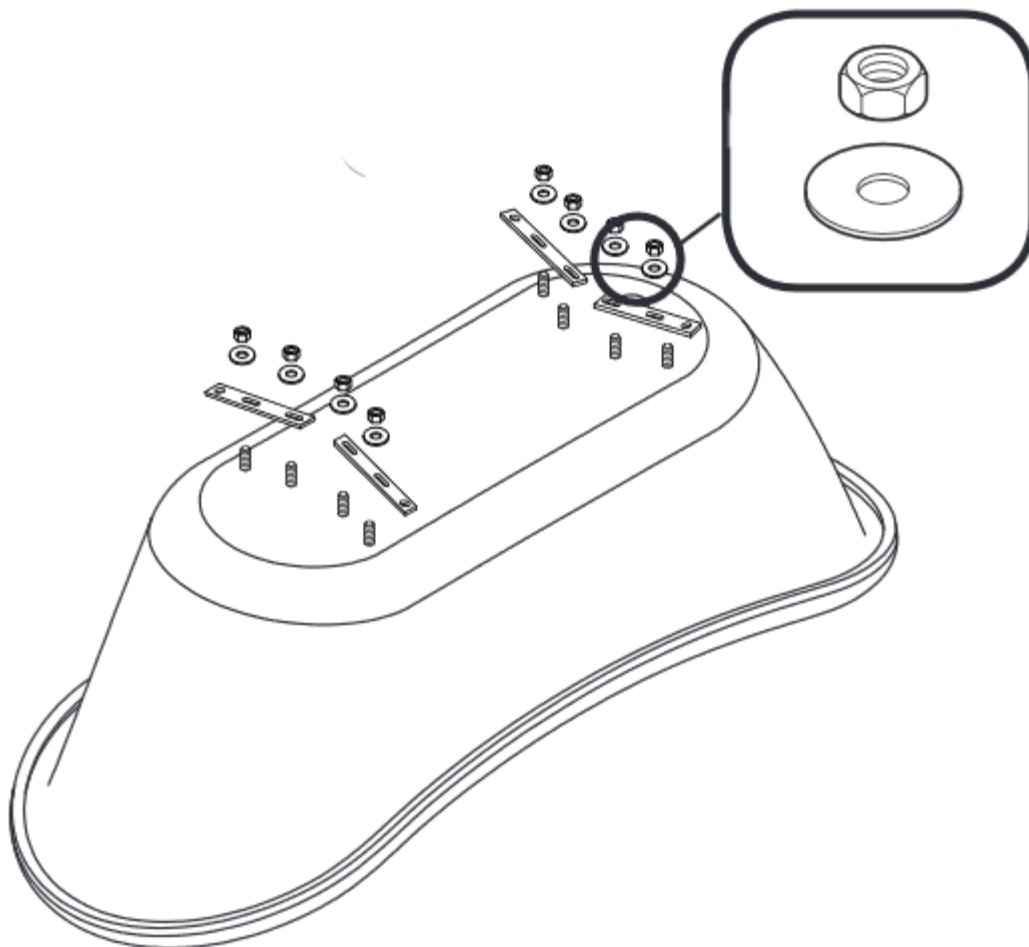


1. Determine the location of the bathtub, taking the position for the faucets, drain and other components into accounts.
2. Remove the bathtub from the package. Always make sure to put the tub on a carpet, blanket or a piece of cardboard, to prevent damaging the surface of the bathtub***

Acrylic Clawfoot Tubs Installation Guide

the tub will now be resting upside down so that the tub bottom should be pointing at the ceiling***

NOTICE: If you have purchased a roll top tub or double end tub, be sure to place some form of blocking (for example a book) under the rim so that you will be able to get your hands under the tub to flip it back over when finished



3. Take a short bar and place it over the bolts on the bottom of the tub & use the 11/16" washer, lock washer, and nut (In that order) on the bolt coming through the bar on the tub.

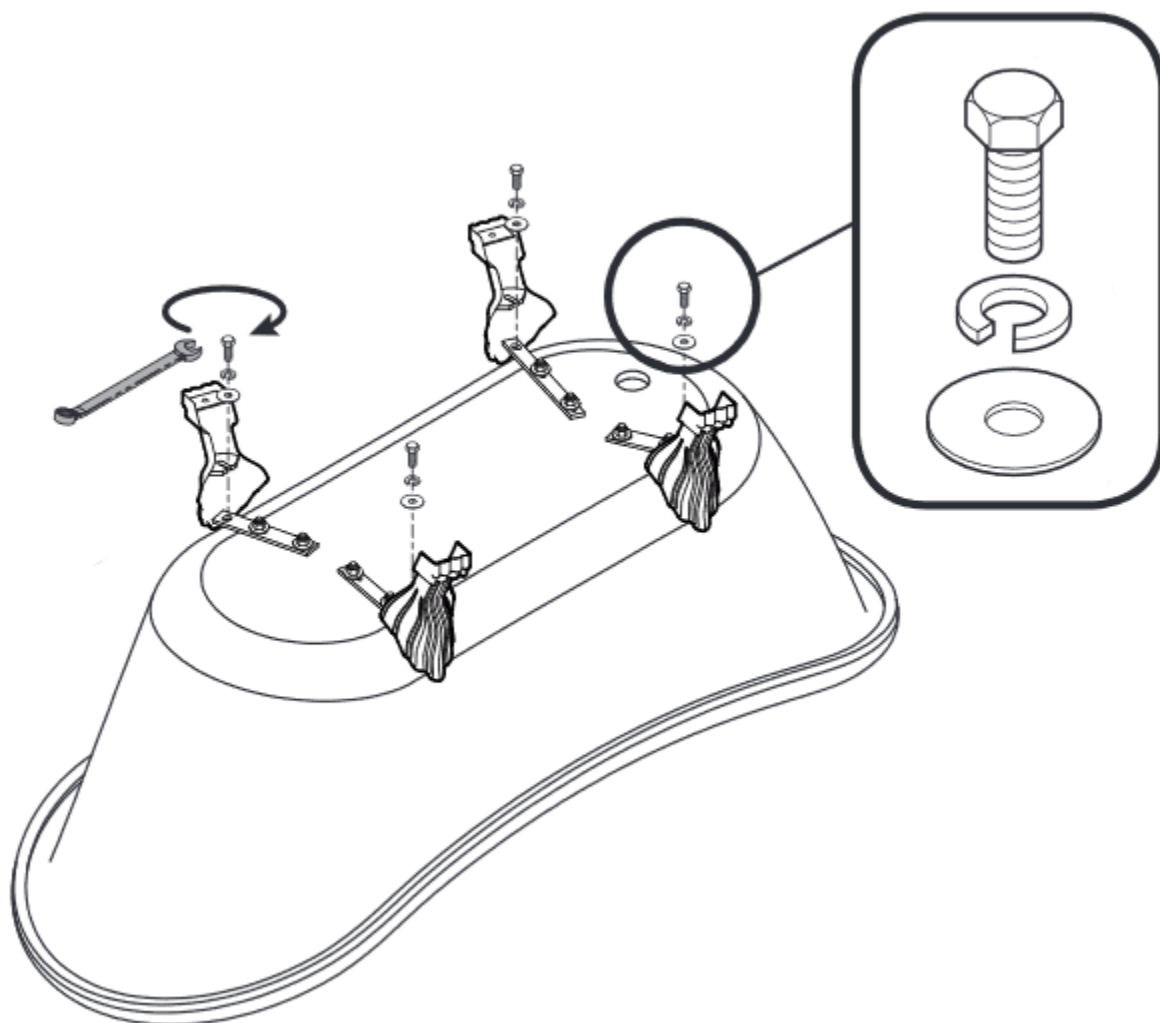
*****CAUTION: the foot can scratch the side of the tub if it is not placed gently over the bolt! *****

4. Hand tighten the nut so the bar can still slide back and forth in case you have to center it after the feet are installed.

Take the foot and place it over the predrilled hole.

*The feet can go on any side of the tub because they are universal.

Acrylic Clawfoot Tubs Installation Guide



5. Take $\frac{3}{4}$ " washer, lock washer and place the washer so it is resting on the tongue of the foot.
6. Slide the $\frac{3}{4}$ " bolt through all pieces and thread into predrilled hole till hand tight.
7. Once flush (there may be a gap of 2mm or less) tighten the nuts holding the bar in place.
8. Repeat process for all other sides.

*****When tightening these nuts, the acrylic will start to make a cracking sound. When you hear that, stop tightening. Otherwise you pull the bolt out of the tub. *****

Acrylic Clawfoot Tubs Installation Guide

9. Use a $\frac{3}{4}$ " wrench and tighten the feet. You can tighten these till the bolt does not turn any more.

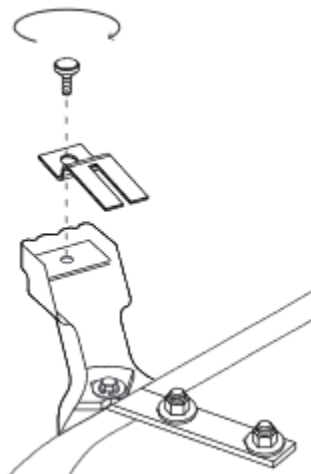
*****Note: If the bolt tightens to the point where it goes through the bar and looks like it will touch the tub hull, just loosen the bolt back up and place more flat washers on top of the existing flat washer to take up space. *****

10. Repeat steps 9 through 17 for all other sides.

11. Place the bathtub in its position and proceed with securing the bathtub in place before the installation is finalized.

12. Install the anchoring brackets (10) under the legs using the leveling pads.

*****Note.** Please take the appropriate caution to not damage your floor while drilling the holes.



13. Position the anchors parallelly and mark with a pencil where the anchors will be placed.

14. Using a masonry drill bit, drill a hole $\frac{1}{4}$ " in diameter and 1- $\frac{1}{2}$ " deep on the marks made in the previous step.

*****Note.** Please take the appropriate caution to not damage your floor while drilling the holes.

15. Apply a drop of silicon in each hole and insert the anchors.

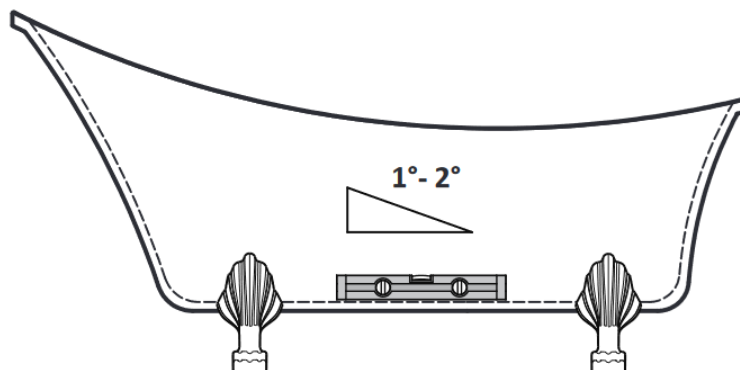
16. Apply a drop of silicone in the anchors.

17. Use a drill and screw bit to partially screw in the screws.

18. Leave a gap of $\frac{1}{8}$ " between the floor and the head of the screw.

Acrylic Clawfoot Tubs Installation Guide

- Slide the tub so the screws installed in the previous step fit inside the gap of the anchoring brackets.



- Place a level inside the tub. Make sure the bathtub is stable and that all legs rest perfectly on the floor, if not, adjust the levelling pads.