



# Console Sink Installation Guide

## **Before You Start**

We recommend using a professional plumbing installer if you are unfamiliar with vintage style bathroom fixtures and plumbing. Vintage Tub & Bath will not be responsible for any damage to the floor, walls, plumbing, or personal injury during installation. Please review all local plumbing and building codes to be sure your purchase is code compliant for your area. Read entire Console Sink Installation Instructions. Unpack and inspect the product for any shipping damages. If you find damages, do not install.

**Tools Needed:** Pencil, Screwdriver, Level Drill, Silicone Sealant

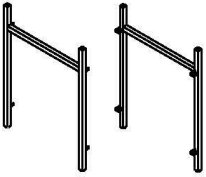
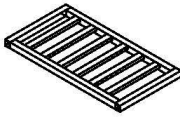
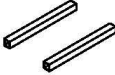

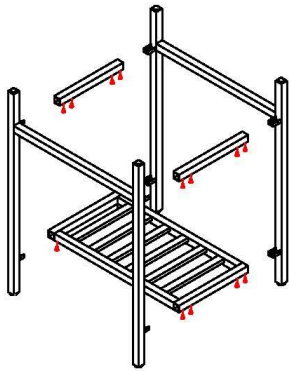
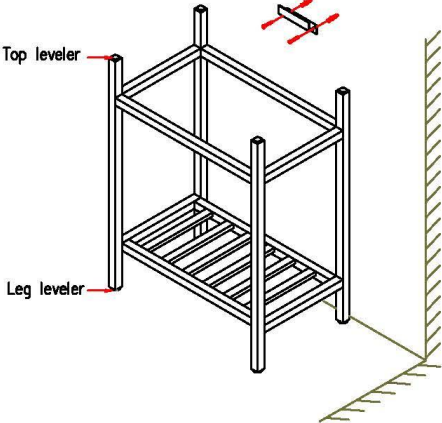
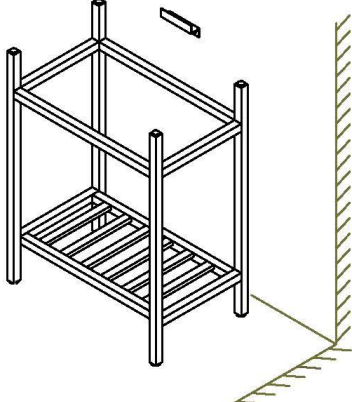
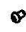



**Materials Included:** m6x10 Bolt(16), Allen Key(1), Screw(2), Plastic Plug(2)

Ensure that you have gathered all of the required tools that are needed for the installation. Because wall construction and materials vary from home to home, manufacturers do not always provide all of the tools needed. The appropriate tools and hardware can be purchased from your local hardware store.

**\*\*\* For counters with a backsplash, apply silicone to the backsplash's edge and wall-facing side. Position the backsplash to the rear of the counter and against the wall. Allow silicone to dry.\*\*\***

1. Once assembled, place the sink stand against the wall and in line with wall studs or wood blocking. Make sure the stand is level. If needed, adjust the small screws under each leg to level.
2. Mount the flanges to the wall with the included screws. Each flange has three screws.
3. Apply a thin coat of silicone to the tops of the sink stand where the vanity top will rest.
4. Carefully place the vanity top on the sink stand, center it and allow silicone to dry for 24 hours.
5. Proceed to installing your faucet, drain, and plumbing fixtures to complete the installation.

# Console Sink Installation Guide

A x2	B x1	C x2	D x2
			
<p>1</p>  <p><b>2st STEP</b> Assemble the CORRESPONDING ABC parts . Tighten all bolts to make whole stand square, Adjust Top screw levelers and leg levelers to make stand level.</p>		<p>2</p>  <p>Top leveler Leg leveler</p> <p>Install D on the wall of corresponding heightlevel screw</p>	
<p>3</p> 		<ul style="list-style-type: none"> <li> M6x10 BOLT = 16 pcs</li> <li> ALLEN KEY = 1 pcs</li> <li> Screw = 2 pcs</li> <li> Plastic plug = 2 pcs</li> </ul>	