

Installation Instruction

Before You Begin

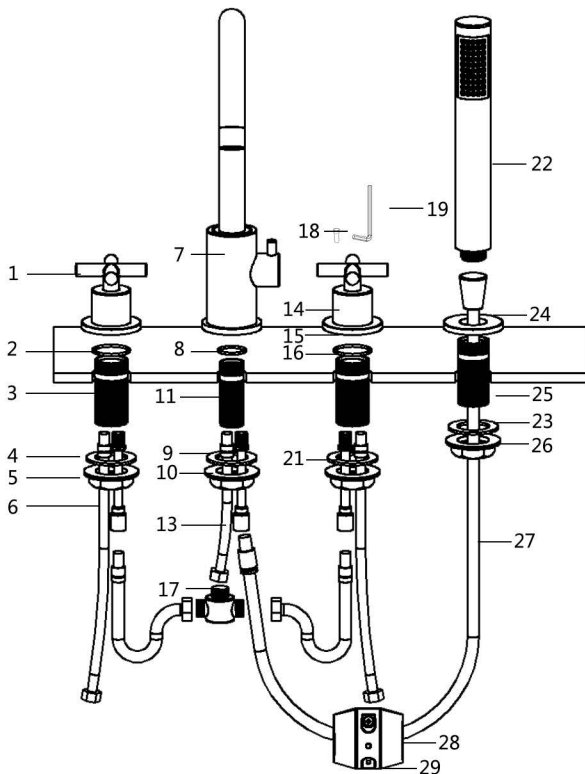
1. Shut off the main water supply.
2. Do not disassemble the main body, as it has been installed & commissioned correctly & precisely before leaving the factory.
3. To avoid the faucet from jamming, DO flush the water pipe before installation.
4. After installation, make sure every joint is safely sealed (NO LEAKAGE).
5. Make sure to connect the hot/cold inlet pipe correctly, if standing in front, hot water pipe connecting to the left and cold water pipe connecting to the right.
6. It is recommended that installation of the product be done by a professional plumber.

Cleaning & Maintenance

To keep product clean and shiny follow the instruction below.

1. Flush with clean water and dry with soft cloth only.
2. Do not use any detergent, polisher, sane-cloth, or a scraper.
3. Do not use acid detergent.

Installation



- | | |
|------------------------|------------------------|
| 1. handle | 16. O-ring |
| 2. O-ring | 17. diverter valve |
| 3. threaded pipe | 18. setscrew |
| 4. rubber washer | 19. alien key |
| 5. mounting nut | 20. indication button |
| 6. hot&cold waterlines | 21. rubber washer |
| 7. spout body | 22. hand shower |
| 8. O-ring | 23. rubber washer |
| 9. rubber washer | 24. hand shower holder |
| 10. mounting nut | 25. rubber washer |
| 11. threaded pipe | 26. mounting nut |
| 12. poly washer | 27. shower hose |
| 13. waterline | 28. metal ring |
| 14. handle | 29. weight ball |
| 15. base plate | |

1. Install the O-ring and insert the handle into the specified drill hole. Screw waterlines into the corresponding screw-hole of the handle through rubber washer, poly washer and mounting nut underneath the counter top. Then, slide washers and mounting nut onto the threaded pipe and secure with screws.
2. Fix O-ring into the bottom groove of the spout body and insert spout body into the specified drill hole on the counter top. Then, install rubber washer to the threaded tail pipe of the spout body from underneath the counter top and screw the mounting nut.
3. Install diverter valve into the specified drill hole underneath the counter top. Screw base plate into the diverter valve and fit the handle. Adjust the height and position of the diverter valve, screw mounting nut, and tighten screws to secure the diverter valve underneath counter top.
4. Tighten set screw with alien key to fix the handle and then put the indication button on.
5. Install the O-ring and insert the hand shower holder into the specified drill hole. Put the rubber washer on and screw in the mounting nut underneath the counter top.
6. Add rubber washer and connect the hose to the hand shower. Put on rubber washers and connect the shower hose to the diverter valve. Then, place the weight ball on the shower hose and fit the metal rings into the grooves of weight ball.
7. Connect the waterlines to diverter valve and to spout according to the picture.
8. Connect hot and cold waterlines to main water supply line.