

WATER SUPPLY HOOKUP KIT

TOOLS AND MATERIALS REQUIRED:

In order to assembly this kit you will need:

1) Adjustable Wrench 2) Set of Crescent Wrenches 3) Pliers 4)Regular household tools

NOTE: Use Teflon tape as a sealant on all male threads of tubing.

CAUTION! If a wrench is used to tighten any connections, please wrap a cloth around each part to prevent any accidental scratches or marring.

Before beginning, please remember to shut off your water supply to the shower/bathtub area.

TO ASSEMBLE TUBES

Step 1: Remove old water supply tubing. Take the left supply tube (C) and put a washer (A) , with the wide end of the washer inward, onto the upper end of the tube (C) as seen in the diagram.

Step 2: Slide a decorative locknut (B) up to the top of the left supply tube (C) and over the washer.

Step 3: On the bottom of the left supply tube (C) , slide one of the escutcheons (E) up the tube partway, then, directly under the escutcheon, slide a locknut (F) up the end of the tube.

Step 4: Take another cone washer (G) and put it, with the wide end of the washer upward, onto the bottom end of the tube.

Step 5: Repeat steps 1-4 using the right supply tube (D).

TO INSTALL TUBES

Step 1: Take the left supply tube (C) , and attach the bottom end of it to the water supply tubing in your floor by screwing the locknut (F) down tightly. Let the escutcheon (E) slide down to the floor.

Step 2: Repeat step 1 using the right supply tube (D).

NOTICE: PLEASE SEEK FOR PROFESSIONAL HELP IF YOU HAVE COPPER PLUMBING IN YOUR HOUSE.

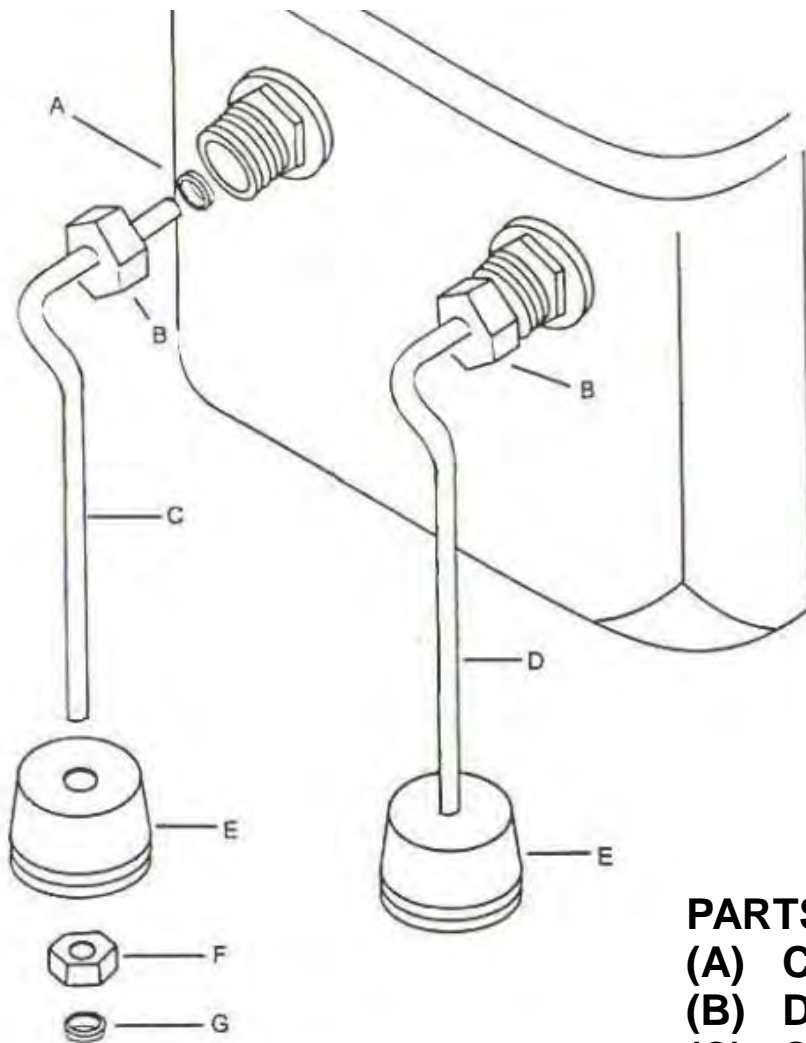
Cleaning Instructions: Wipe this whole set off with warm water and a soft cloth. Do not use soaps, cleansers, or brass cleaners as they will disintegrate the protective lacquer coating and leave the brass exposed therefore causing tarnishing.

WATER SUPPLY HOOKUP KIT

*** WARNING ***

DON'T BEND THIS BRASS TUBES.

Never stress on this supply lines when install the faucet and water main they are not at relative positions. It may cause the tube crack and leak.



PARTS LIST:

- (A) Cone Washer x 2
- (B) Decorative Locknut x 2
- (C) Supply Tube Left
- (D) Supply Tube Right
- (E) Escutcheon x 2
- (F) Locknut x 2
- (G) Cone Washer x 2