

ASSEMBLY INSTRUCTION

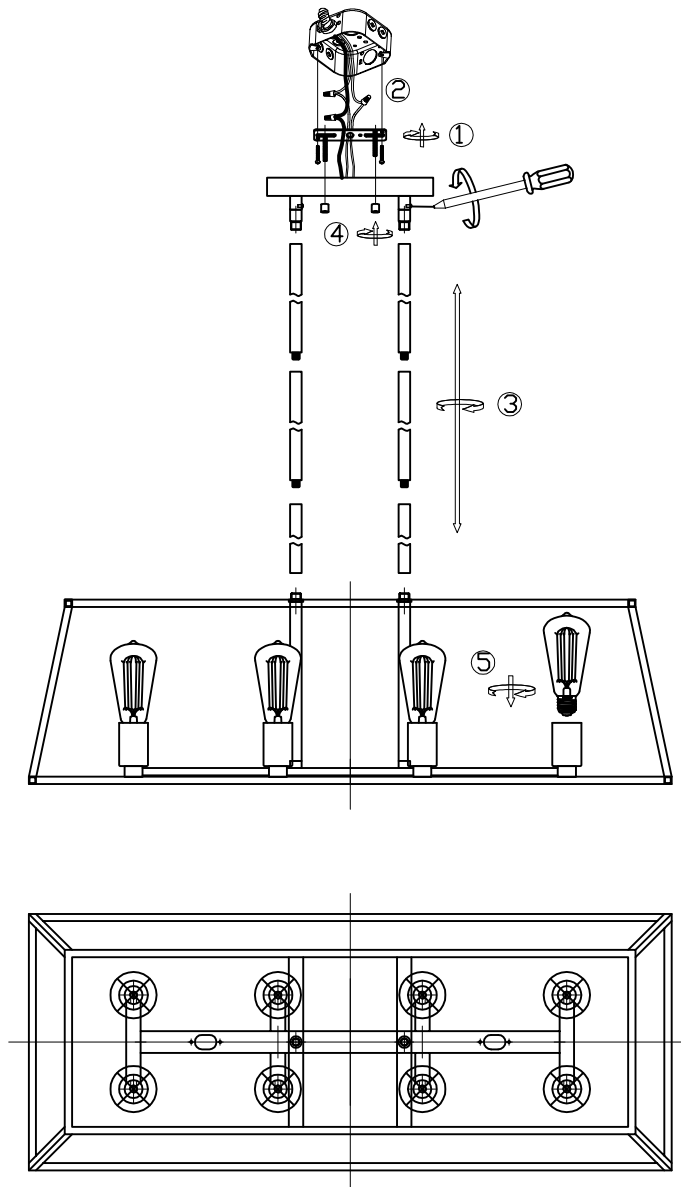
FIXTURE INSTALLATION MUST BE DONE BY LICENSED ELECTRICIAN.

SHUT OFF POWER SUPPLY AT FUSE OR CIRCUIT BREAKER.

USE ONLY THE SPECIFIED BULBS AND DO NOT EXCEED THE MAXIMUM WATTAGE.

1. Check the fixture frame for any physical damage
2. Check all parts and crystals to ensure they are not damaged or missing
3. Test all sockets with a bulb for conductivity before "dressing" the fixture
4. If there is any problem, please do not install the fixture, please contact the vendor and solve the problem first.

RMGL468-8



1. Install a board on the connection box.
2. Connect the positive and negative poles of the ceiling board with those of the junction box.
3. Assemble the lamp body.
4. Install the lamp body on the hanging board.
5. Install bulb.