

# ASSEMBLY INSTRUCTION

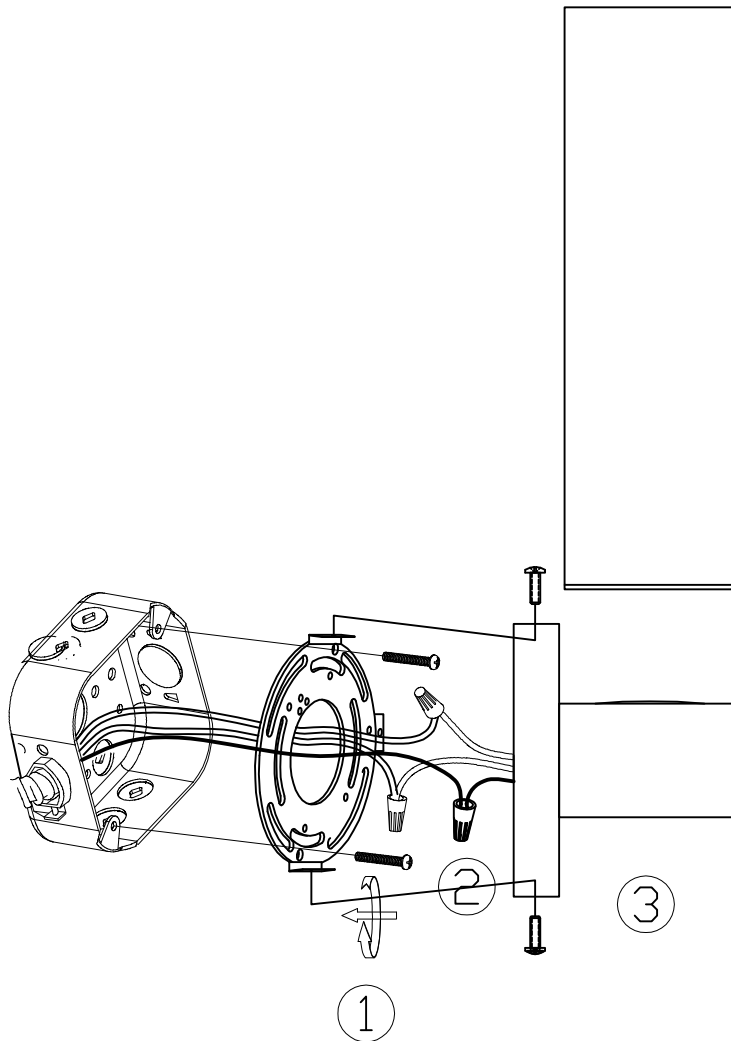
FIXTURE INSTALLATION MUST BE DONE BY LICENSED ELECTRICIAN.

SHUT OFF POWER SUPPLY AT FUSE OR CIRCUIT BREAKER.

USE ONLY THE SPECIFIED BULBS AND DO NOT EXCEED THE MAXIMUM WATTAGE.

1. Check the fixture frame for any physical damage
2. Check all parts and crystals to ensure they are not damaged or missing
3. Test all sockets with a bulb for conductivity before "dressing" the fixture
4. If there is any problem, please do not install the fixture, please contact the vendor and solve the problem first.

## RMGL194-1



1. Install the gossip board on the junction box on the wall.
2. The outgoing line of the lamp body and the outgoing line of the wall shall be connected according to the positive and negative poles and the ground wire
3. Fix the lamp body on the hanging board with Midea.
4. Fix the glass to the lamp body.