

Bathroom Vanity Installation

Tools requested not in the box



Silicone sealant



Tape measure



Spirit Level

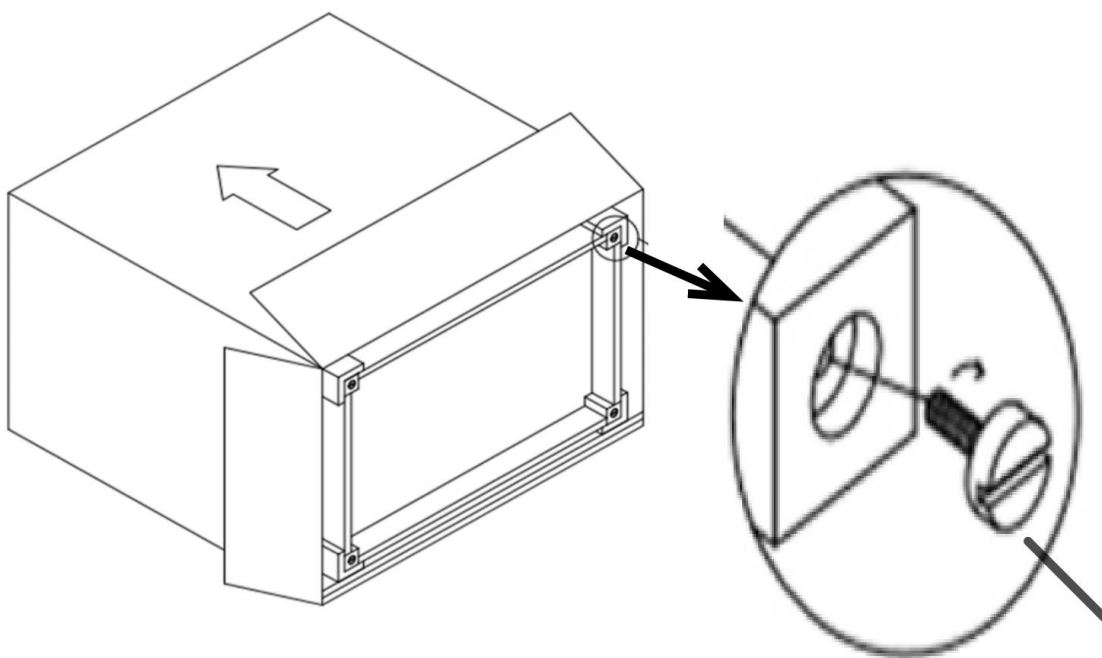


Pencil

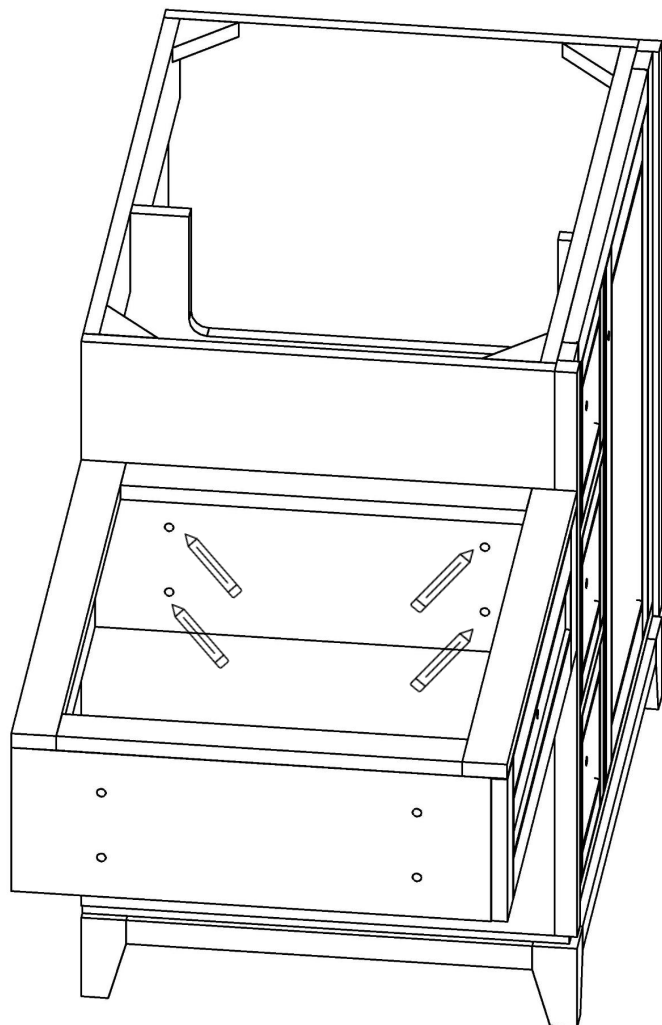


Philips Screwdriver

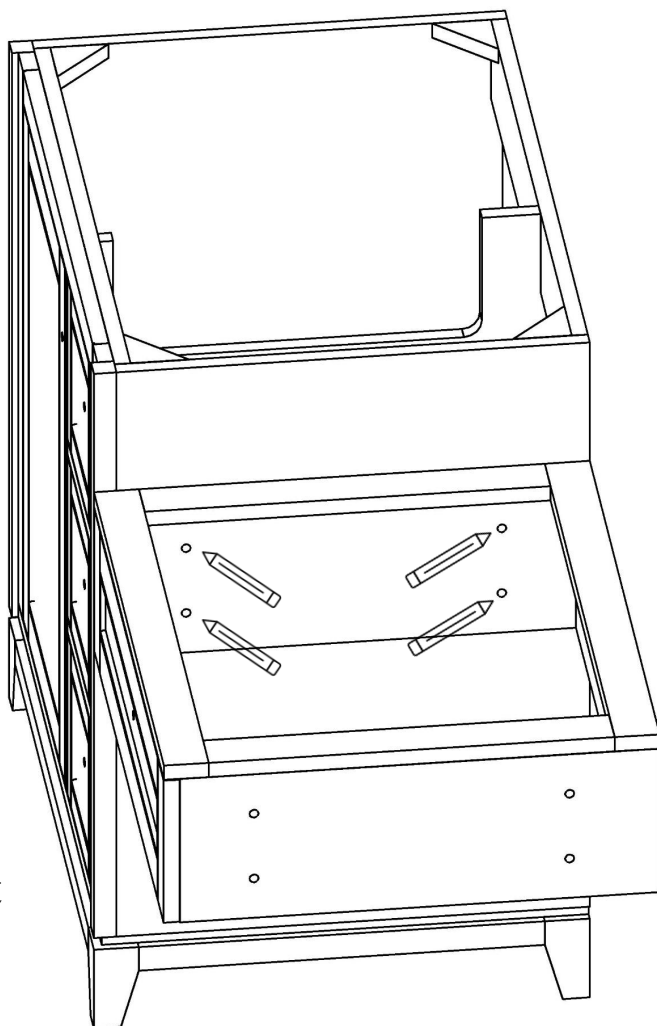
Step 1: Open the cabinet box, place the cabinet base on right position, level the cabinet with leg levelers.



Step2: Mark the position at the side of the vanity base where the makeup table you wanna install

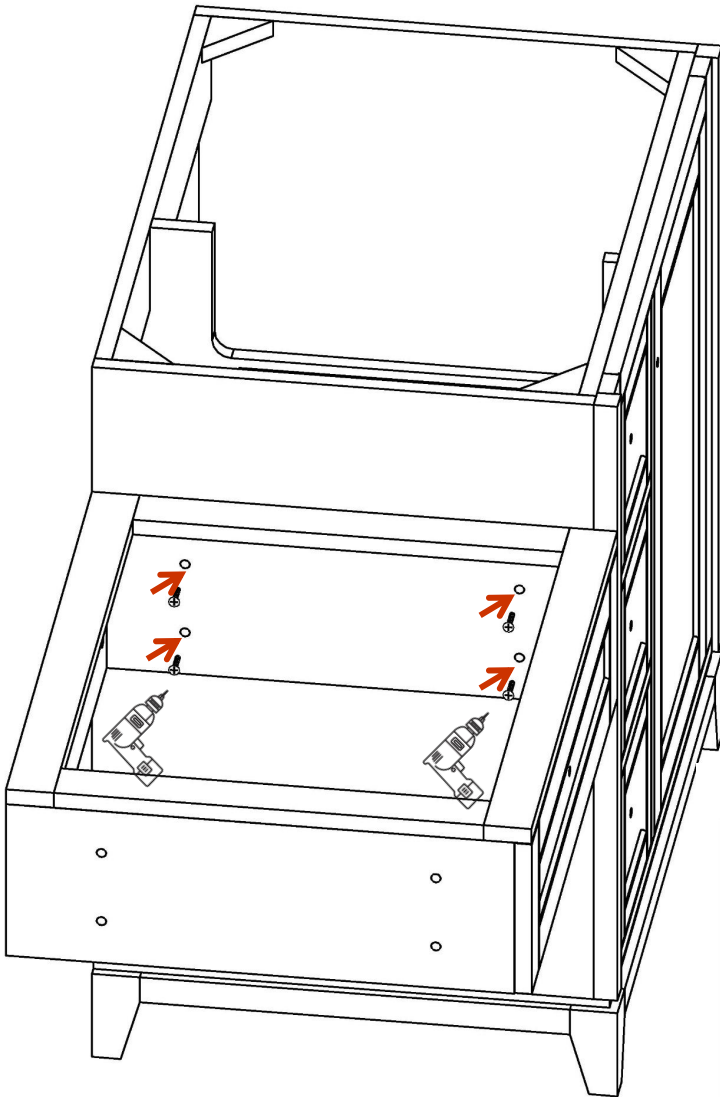


Mark the position at right side of the vanity base

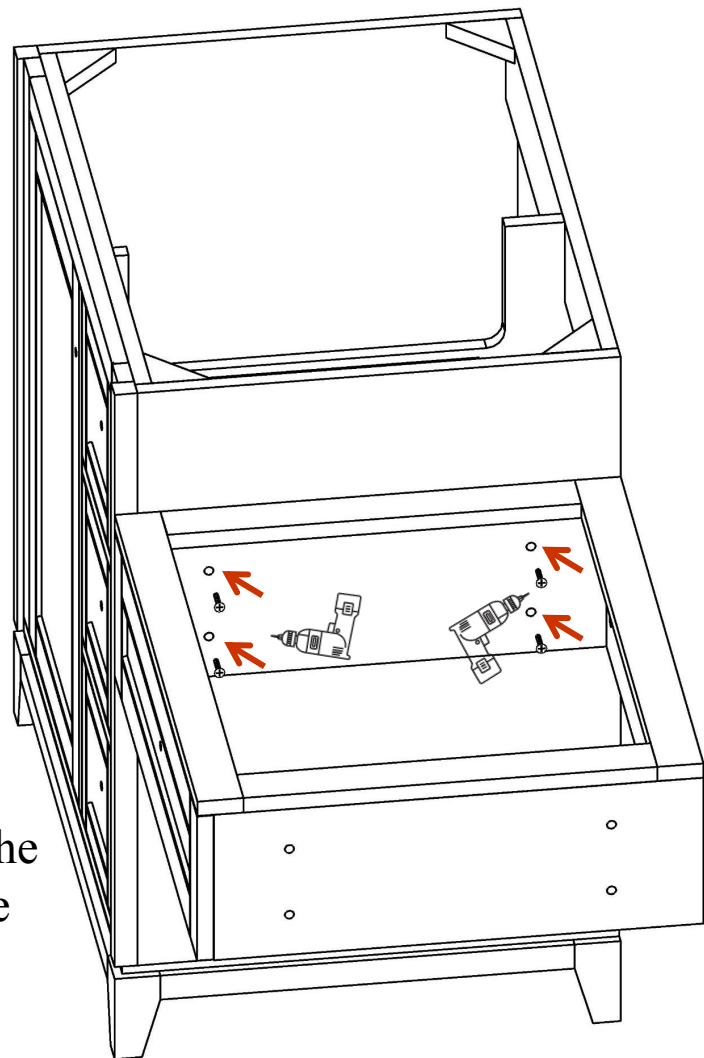


Mark the position at left side of the vanity base

Step 3: Use the self-tapping screw connected makeup cabinet with two side vanity base.

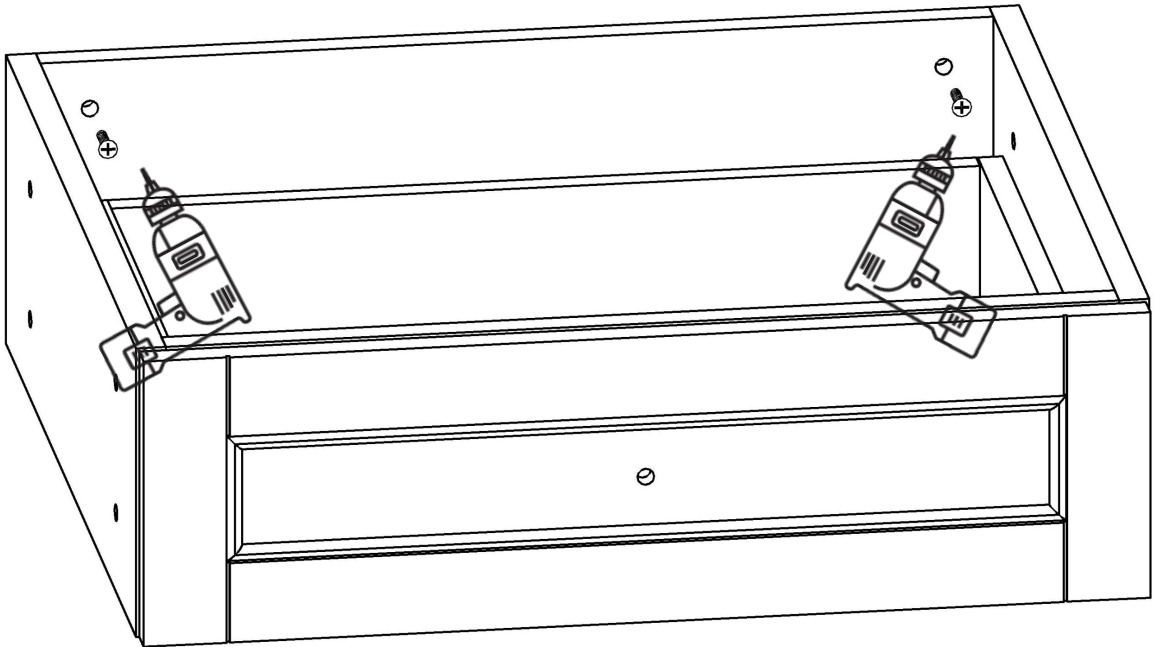


Screw it connected with the right side of the vanity base



Screw it connected with the left side of the vanity base

Step4:Fastern the markup cabinet into the wall with anchors and screws



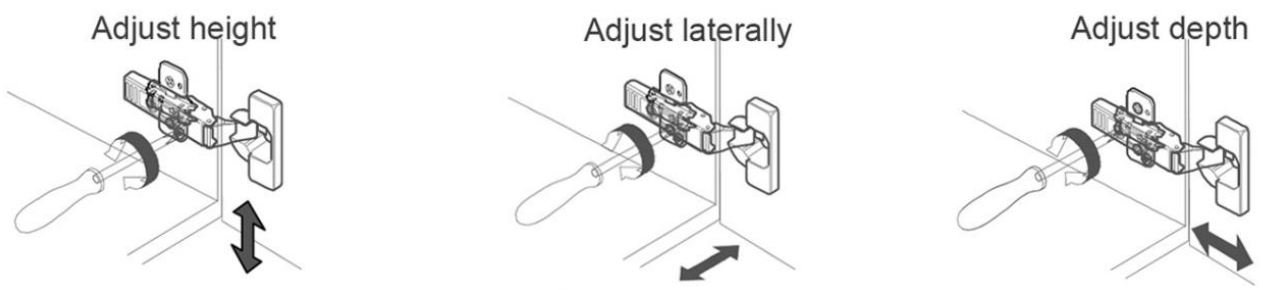
Step5:Apply bead of quality and clear or white silicone sealant evenly the top of the vanity and makeup table

Step6:Place the counter-top onto the top of the cabinet and make up table.

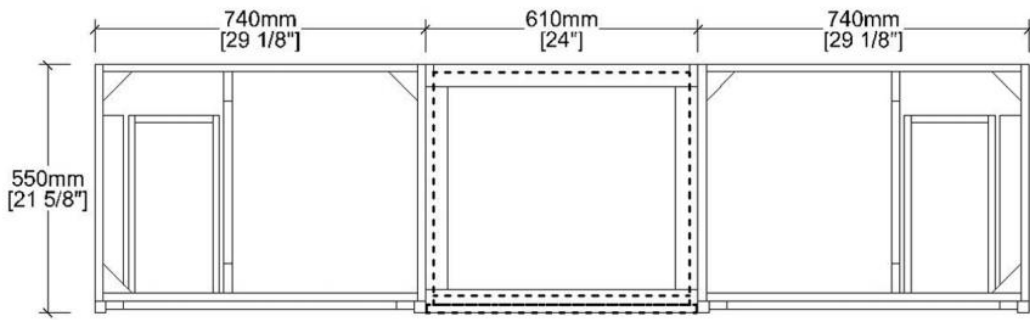
Step7:Apply the silicone sealant evenly along the bottom of the backsplash and wall

Step6:Finally, place the bottom side of the backsplash with sealant onto the counter-top and check the alignment of the backsplash, adjust the leg levelers as needed

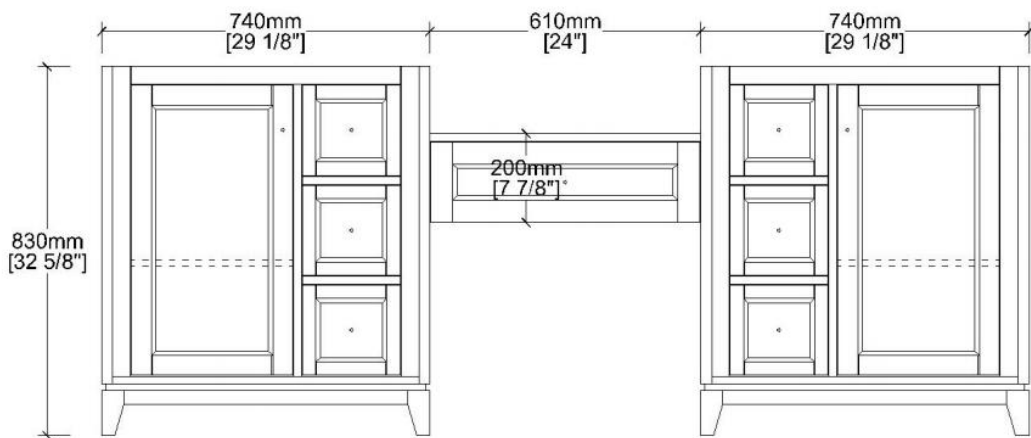
Adjustment of hinges



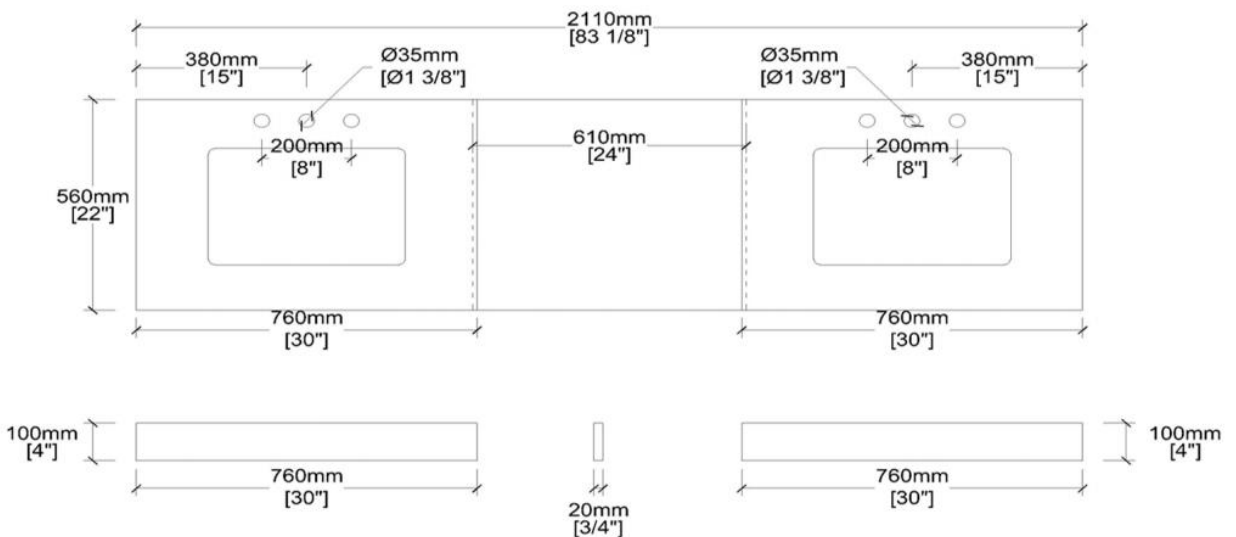
TECHNICAL DRAWING



TOP VIEW



FRONT VIEW



COUNTER-TOP

Solid Wood Construction Bathroom Vanity

CARE AND MAINTENANCE

- * Dust the vanity regularly with soft, non-lint producing cloth or household dusting products.
- * You can clean the vanity with a gentle, non-abrasive household cleaner.
- * Make sure to dry the wood immediately with a soft cloth/towel.
- * The ceramic sink can be cleaned using standard ceramic cleaning agents available at your local supplier.
- * Small scratches and some damage happen during the use's period. Ask your contractor for a bottle touch-up painting, you can fix it by yourself.

IMPORTANT

- * Shade variations and patterns are an inherent characteristic of stone (e.g. granite, marble, engineered stone). Stone tops will vary from product to product. Use caution placing items such as soap or any fragranced material on the stone surface. Use a soap dish, coaster or similar item to protect the surface if placing any soap or fragranced products on the stone.
- * If soap or fragranced products come in contact with stone top, rinse the surface with water and dry using a soft non-abrasive cloth.
- * **WARNING:** Must use cleaning agents safe for stone. Check your cleaning agents use restrictions before using on any stone. Damage to the stone may result. Vanity manufacturer not responsible for damage caused by improper cleaning agent or soap used. Warranty will not cover damage caused by improper soap or cleaning agents.
- * **DO NOT** use products to clean the stone top that contain acetone, lemon, vinegar or other acids as these may cause damage to the stone surface
- * Periodically reseal the stone top using an appropriate stone sealer available from your local store. Follow the manufacturer's directions on How to apply.