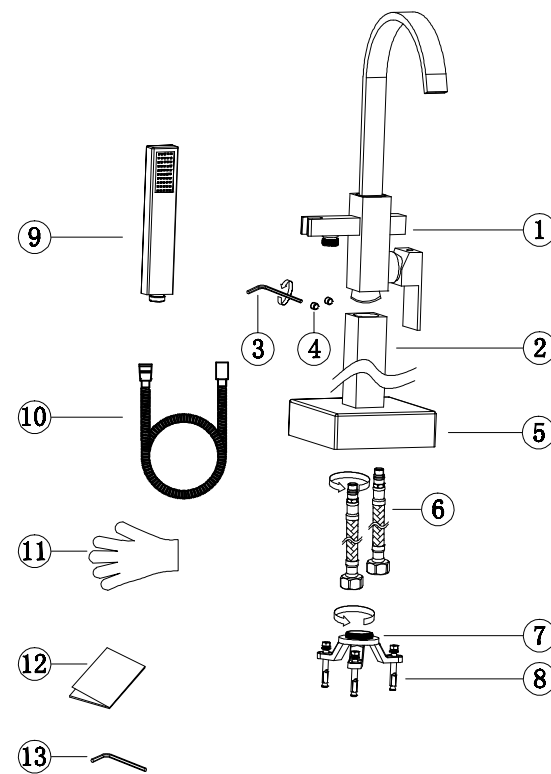
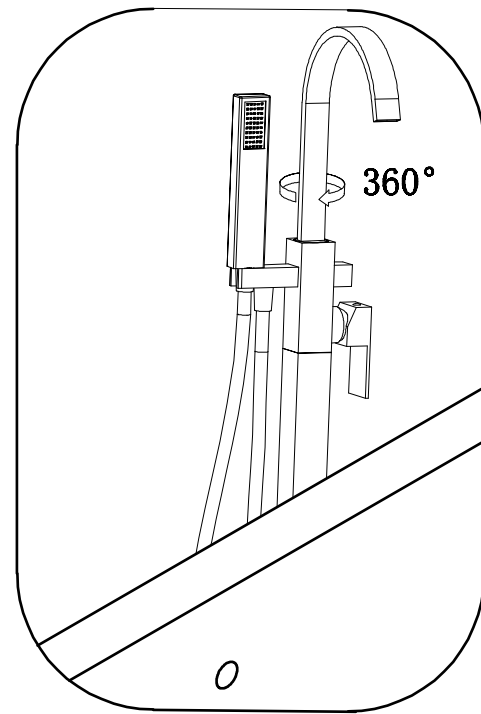


# Free Standing Faucet

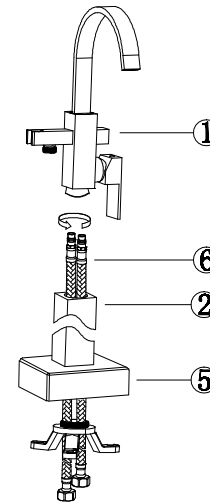
1. Pls check the parts carefully according to the standard parts list after you picking out the products. Pls contact with the local distributor if any missing parts. see the drawings as below:

No.	Name	Quantity
1	body assembly	1
2	straight tube	1
3	hexagon screw	1
4	Stainless steel screw	2
5	escutcheon	1
6	flexible hose	2
7	triangle fixing part	1
8	expansion screw	3
9	hand shower	1
10	shower hose	1
11	gloves	1
12	instructions	1
13	hexagon screw	1

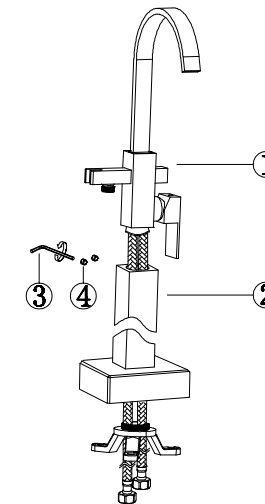
2. The height of your bath should match with the dimension of our free standing faucet.



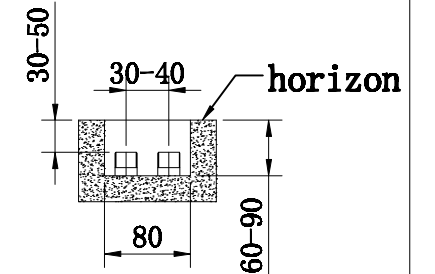
1. Firstly, bunch the straight tube, escutcheon and triangle fixing part into the flexible hose: Then, connect the flexible hose to the body.



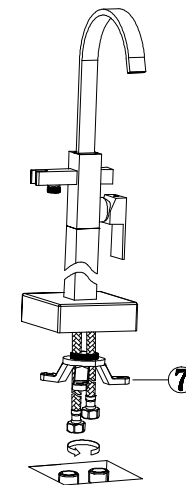
2. Connect the straight tube to the body by hexagon screw.



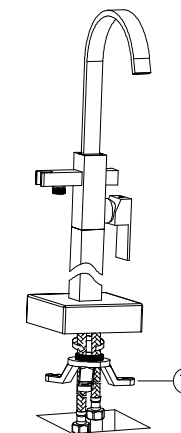
3. Install the inlet pipe per the following drawings.



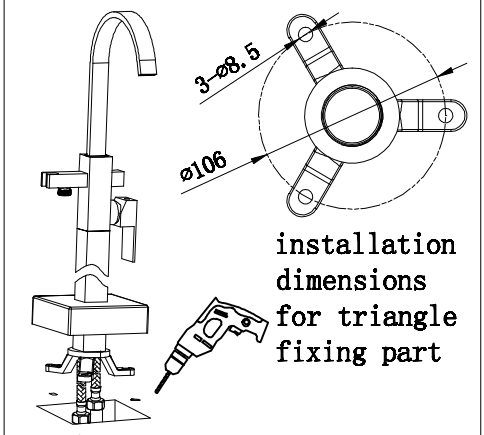
4. Connect the flexible hose to the inlet pipe.



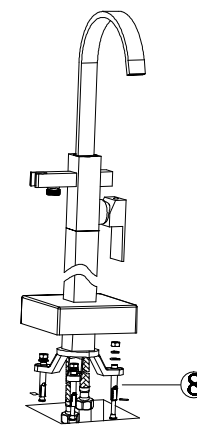
5. Connect the triangle fixing part to the body.



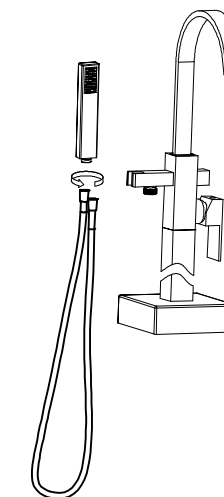
6. Drilling the hole per the drawing dimension.



7. Install the faucet body by expansion screw.



8. Install the hand shower and shower hose.



Total assembly drawing

