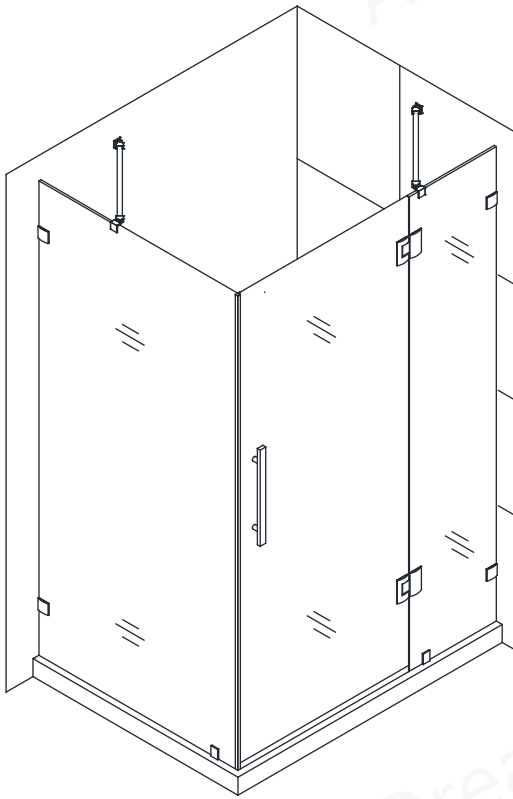


QUATRA LUX 32" x 46" / 34" x 46"

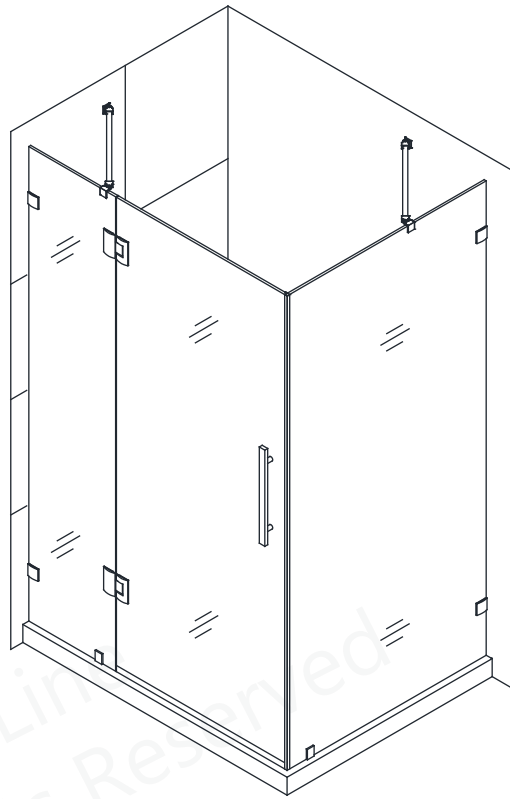
SHOWER ENCLOSURE INSTALLATION INSTRUCTIONS

IMPORTANT

DreamLine[®] reserves the right to alter, modify or redesign products at any time without prior notice. For the latest up-to-date technical drawings, manuals, warranty information or additional details please refer to your model's web page on DreamLine.com



Left-hand return panel



Right-hand return panel

MODEL #s

SHEN-1332460-##

SHEN-1334460-##

##=finish

01- Chrome

04- Brushed Nickel

06- Oil Rubbed Bronze

09- Satin Black



Questions?

Please Call **DreamLine** Customer Support: **1-855-831-2126**
Hours of Operation M-F 8AM - 7PM EST and Saturday 9AM - 5PM EST

Support@DreamLine.com



For more information about DreamLine[®] Shower Doors, Tub Doors & Enclosures, please visit DreamLine.com

Table of Contents

Section title	Page #
Preparation	3
Tools	4
Enclosure Diagram	5
Parts List	6
Installation Steps	7-19
Support Bar Installation	10
Hinge Installation	11
Vinyl Seals	12-13
Adjustable Hinge Features	15
Product Maintenance	16



This product should be installed by someone familiar with the construction requirements for this type of project and the care necessary for the safe installation and operation of the product.



This model is treated with DreamLine's exclusive ClearMax™ Glass technology. This is a specially formulated coating that prevents the build up of soap and water spots.

Install the surface with the ClearMax™ label towards the inside of the shower. Please note that depending on the model, the glass may be coated on either one or both surfaces.

For best results, squeegee the glass after each use and dry with a soft cloth.

Preparation

1. Prior to installation, examine all boxes and packages for shipping damage and compare the piece count with the packing slip. After opening all boxes and packages read this introduction carefully. Check that all of the necessary parts are included in the package by checking off the components on the "Detailed Diagram of Shower Door Components". If the unit has been damaged, has a finishing defect, or has missing parts, please contact our customer support department within **3 business days** of the delivery date. **Please note that DreamLine® will not replace any damaged products or missing parts free of charge after 3 business days or if the product has been installed.** Contact DreamLine® if you have any questions, and please provide an order number, job name or other proof of purchase to help identify the original order.
2. **Please note that you should consult your local building codes with questions on installation compliance standards. Building and plumbing codes may vary by location, and DreamLine® is not responsible for code compliance standards for your project and will not accept any returns.**
3. If this unit is going to be installed in a new construction, please install all of the required plumbing and drainage before installing the shower. Use a competent and licensed (if required by local code) plumber for all plumbing installation
4. Please make sure that prior to beginning the installation, the surfaces are leveled and solid and will be able to support the total weight of the unit. Also make sure the walls are at right angles. Irregular installation surface level, radius corners or improper angle of side walls will result in serious problems for your installation. Note that some adjustments and drilling will be necessary during the installation process.
5. Please protect all primary surfaces of the product during installation. Never set the glass down directly onto a tile floor. Leave corner protectors in place until necessary to remove them. Always use a piece of wood or cardboard to protect the bottom edge and corners of the glass prior to and during installation.
6. This unit must be installed upon a finished threshold and against finished walls.
7. **This model does NOT have any adjustment for out of plumb conditions. Verify that your walls are plumb before proceeding with the installation.**
8. **This model requires that you drill into the threshold for proper installation.**
9. **This model is offered in two styles with either Support Bars or L-Bars™. Follow the proper steps to complete the installation based on the model ordered (see note on page #9).**
10. This model requires a minimum of **1-1/2"** of flat threshold space for installation.
11. The installation of this product requires two installers.
12. **Professional installation recommended.**



NOTE: This enclosure is reversible for right or left-hand return panel installation. The right-hand return panel installation is shown as an example throughout this manual. For the left-hand return panel installation, simply begin on the opposite wall and reverse the orientation of the steps shown.

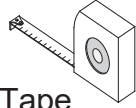


NOTE: Do Not attach the handle to the door glass until instructed. **Do Not** attempt to lift the door glass with the handle as this may result in damage to the glass and/or serious personal injury. Use a professional grade glass suction cup and an assistant when handling heavy glass.

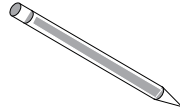
Tools



Level



Tape Measure



Pencil



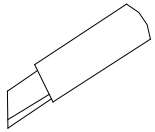
Phillips Screwdriver



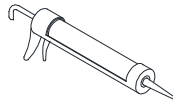
Drill bit (D=5/16")



Drill bit (D=1/8")



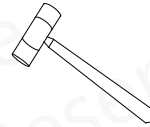
Razor Knife



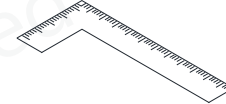
Silicone



Power Drill



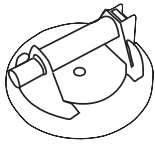
Hammer



Carpenter's Square



Wood Shims (13/16")



Professional grade Glass suction cup

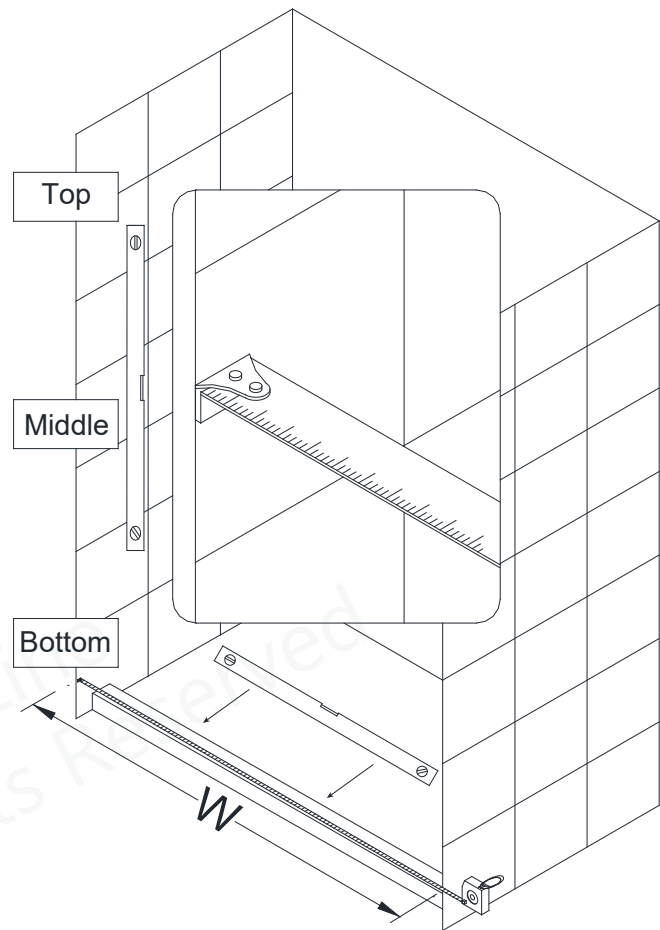
Tip: Measure the finished opening before proceeding with the installation to be sure that the correct model size has been ordered.

Tip: Set screw gun clutch to low setting when installing screws and bolts to prevent stripping the heads.

Tip: Prior to installation, cover the shower/tub drain with tape to prevent losing screws or small parts.

NOTE: Unpack your unit carefully and inspect it. Lay it out and identify all parts using the detailed diagram and packing list in this manual as a reference. Before discarding the carton, check for small hardware bags that may have fallen to the bottom of the box. If any parts are damaged or missing, please contact DreamLine® for replacement. The shipping boxes may contain extra parts not used in your model configuration.

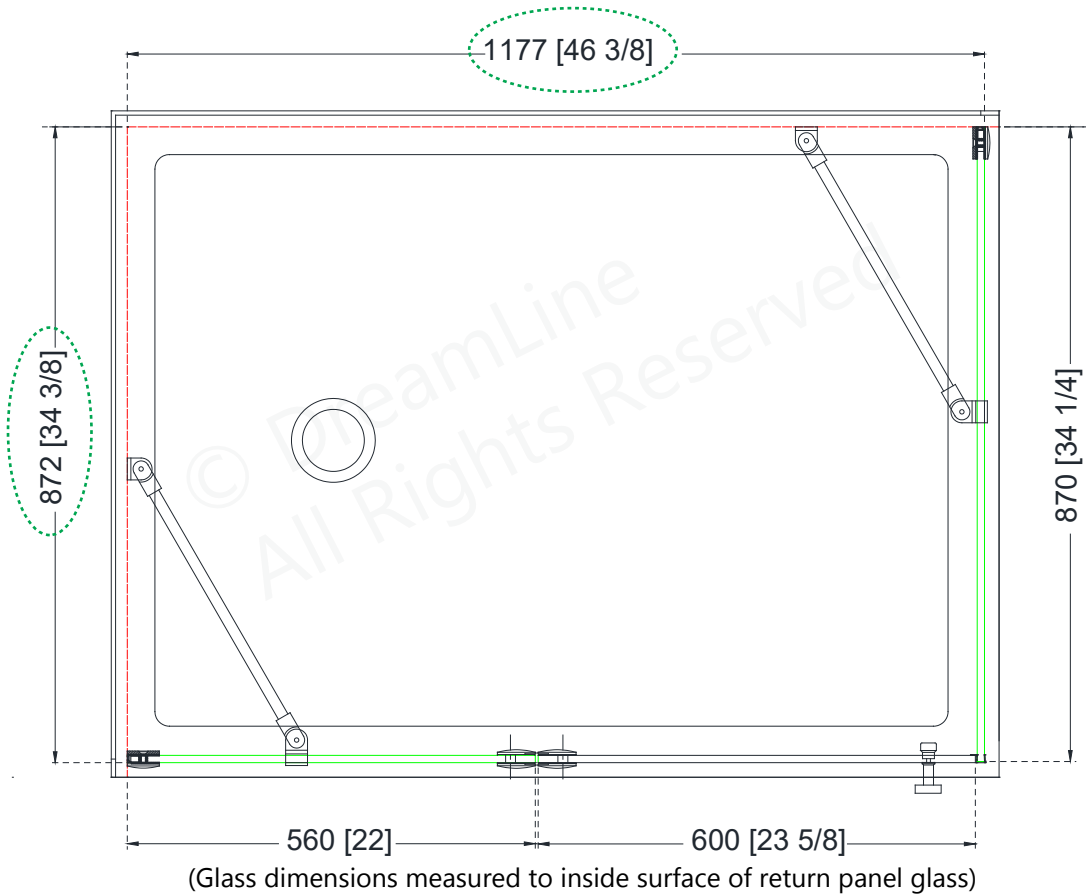
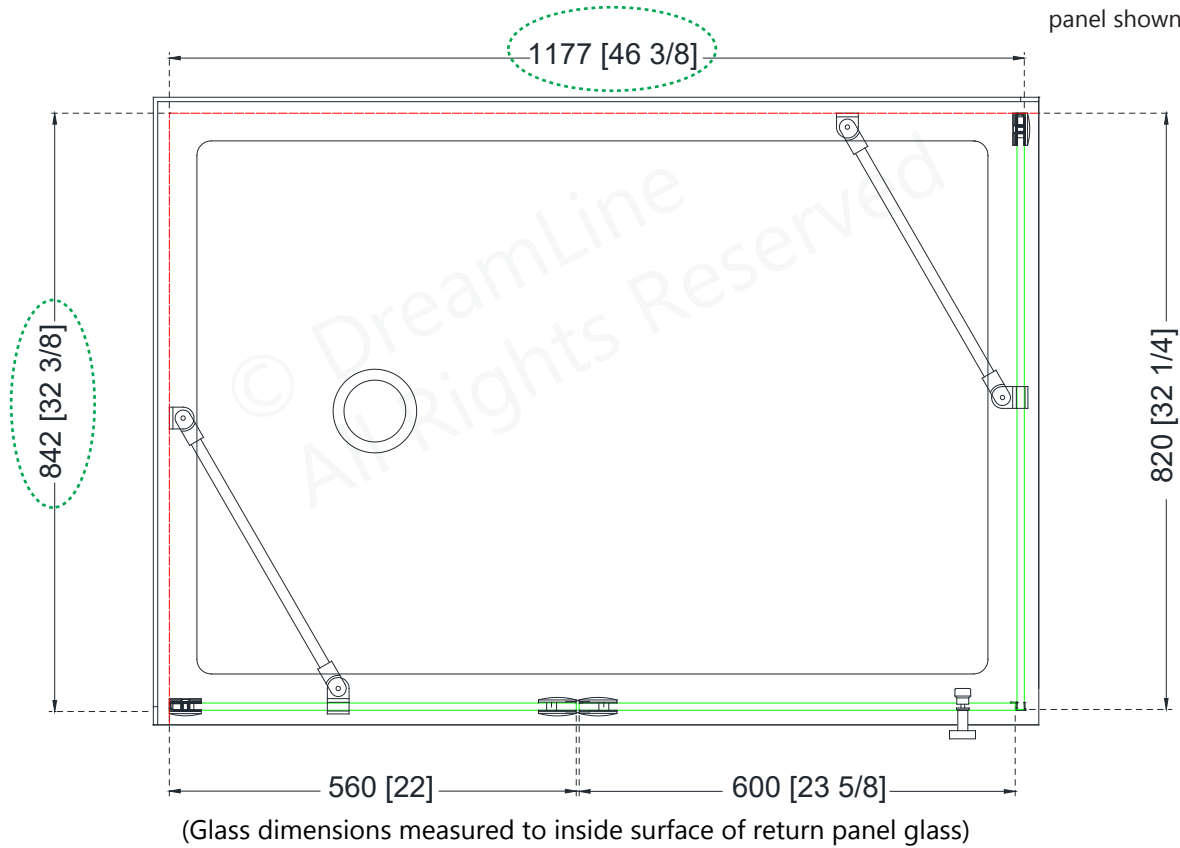
NOTE: Retain these installation instructions for future reference.



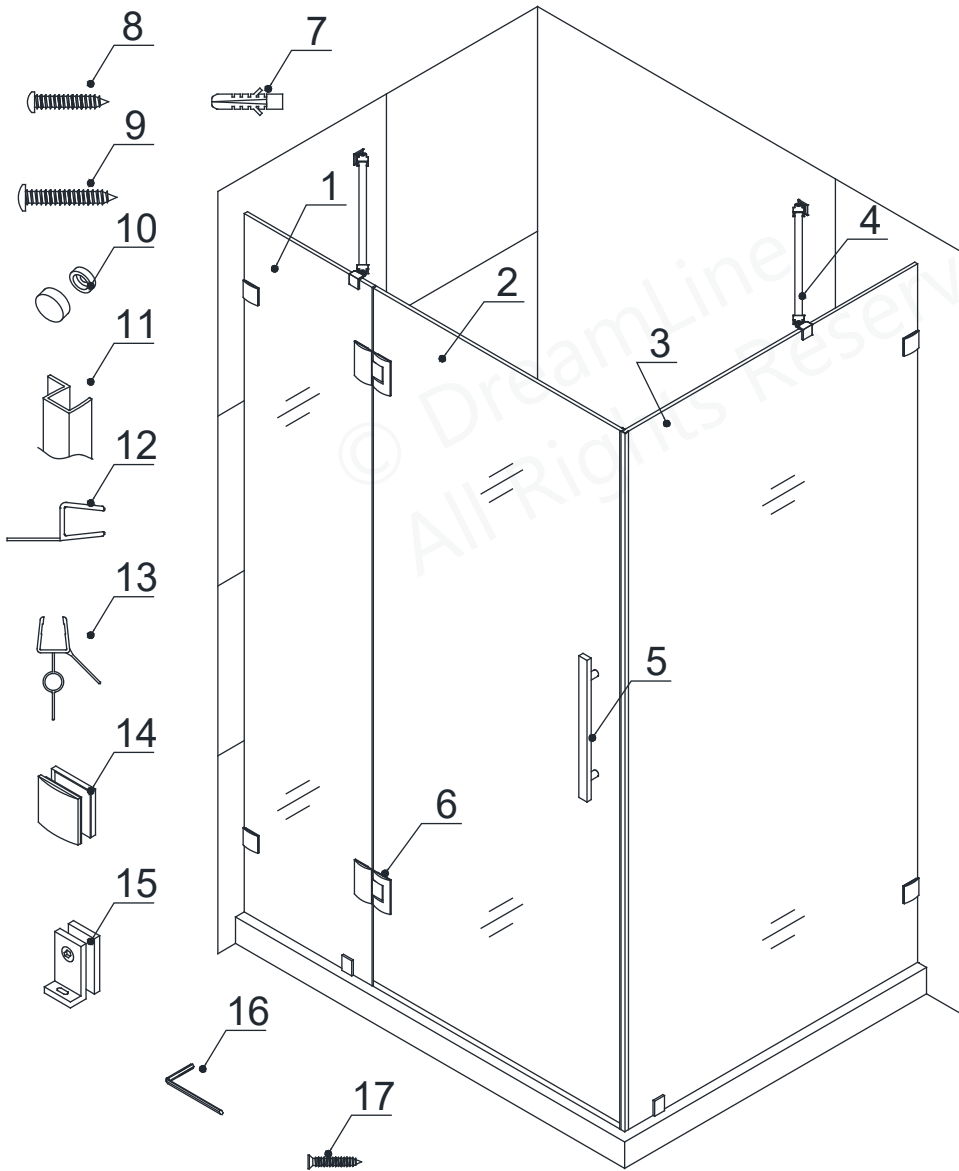
SHOWER ENCLOSURE PLAN

(Outside dimensions of installed enclosures shown)

dimensions: mm [in"]
model with Right-hand return
panel shown as an example



Detailed Diagram of shower door components



Quatra Lux with Support Bar

MODEL #s

SHEN-1332460-##

SHEN-1334460-##

with Hardware box:

SHEN-AC1321-##



The glass surface with the ClearMax™ label must be installed to face inside of the shower

Parts List

PART#	DESCRIPTION	QTY	PART#	DESCRIPTION	QTY
01	Hinge Panel glass	1pc	10	Decorative cover w/ washers	2pcs
02	Door Glass	1pc	11	90° Strike Vinyl	1pc
03	Return Panel glass	1pc	12	Hinge Side Vinyl	1pc
04	Support bar	2pcs	13	Bottom Sweep Vinyl	1pc
05	Handle	1pc	14	Wall bracket	4pcs
06	Hinge	2pcs	15	Bottom bracket	2pcs
07	Wall anchor	6pcs	16	4mm hex wrench	1pc
08	Pan Head screw ST4.2x25	2pcs	17	Countersunk screw ST4.2x40	2pcs
09	Truss Head screw ST4.2x55	4pcs			

Installation steps

1. Assemble the **Wall Brackets (#14)** onto the **Hinge Panel Glass (#01)** and the **Return Panel Glass (#03)** using at least one gasket per side to protect the glass surface.

NOTE that the top notch on the hinge panel glass is closer to the top of the glass and the Bottom bracket hole is at the bottom. **(Fig 1)**

Take extra care during the installation when setting the panel glass directly onto the threshold.



NOTE: Enclosure measurements should be taken at the bottom of the opening at the threshold and plumb lines drawn up the walls from there.

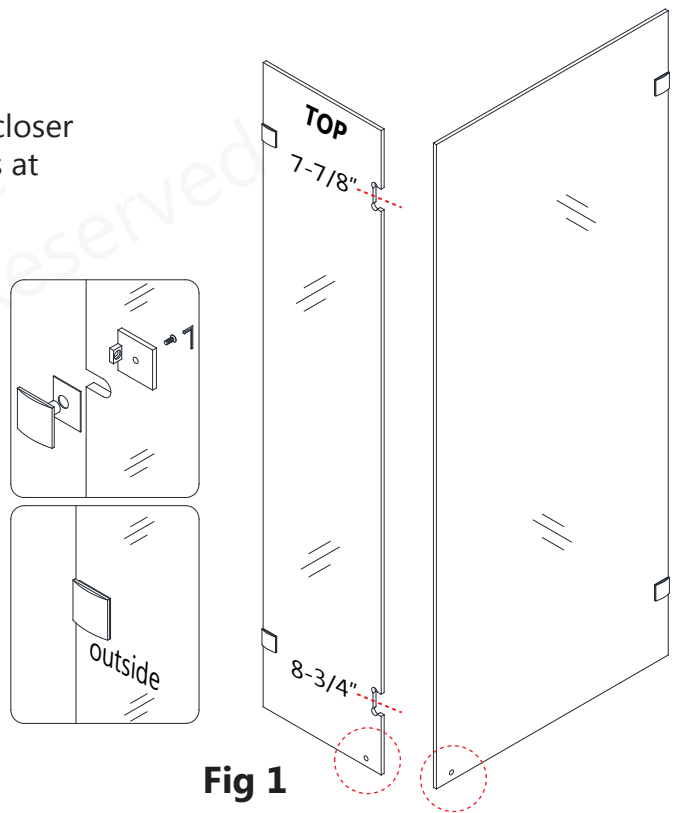


Fig 1

2. Draw a plumb line on the wall (starting at the threshold) according to the Shower Enclosure model size per the table below:

Measured from the finished corner to the outside of the glass		
Glass Box Code:	W1	W2
SHEN-GL1311-324610	32-3/8"	46-3/8"
SHEN-GL1311-344610	34-3/8"	46-3/8"

Place the assembled **Hinge Panel Glass (#01)** and **Return Panel Glass (#03)** onto the shower base, aligned with the model dimension marks on the wall and level the glass vertically. **(Fig 2)**

NOTE: Make sure the **Glass Panels** are plumb.

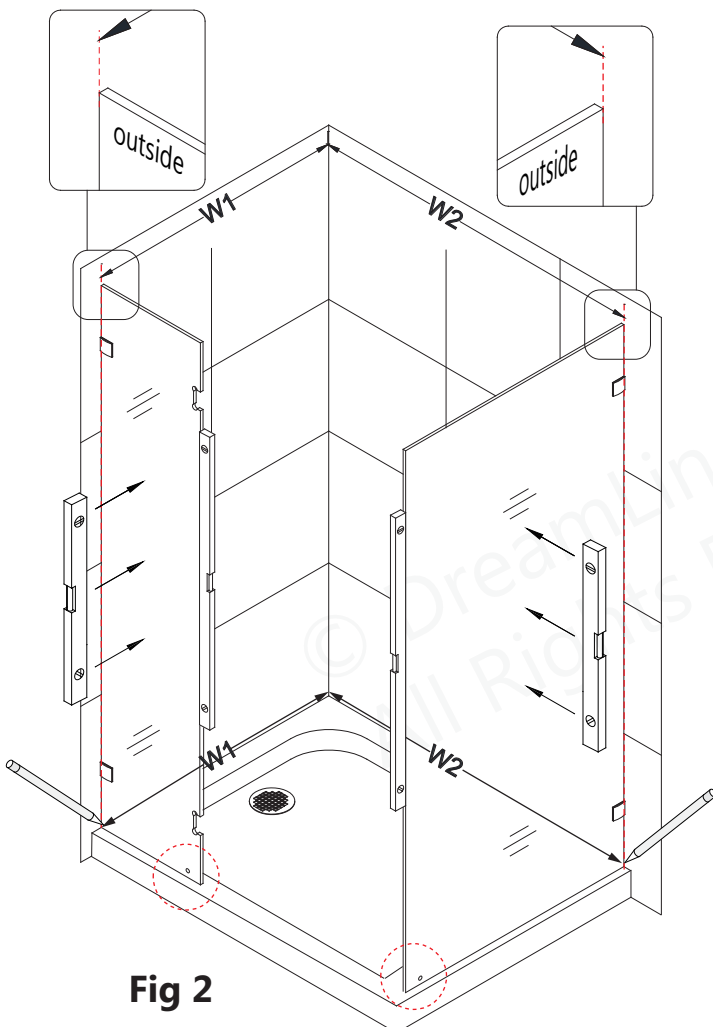


Fig 2

3. The distance between the **Hinge Panel Glass (#01)** and the **Return Panel Glass (#03)** must be **23 7/8"**. This is the required spacing for the **Door Glass (#02)**. Adjust the position of the **Return Panel Glass (#03)** as necessary to maintain this **23 7/8"** dimension. **(Fig 3)**

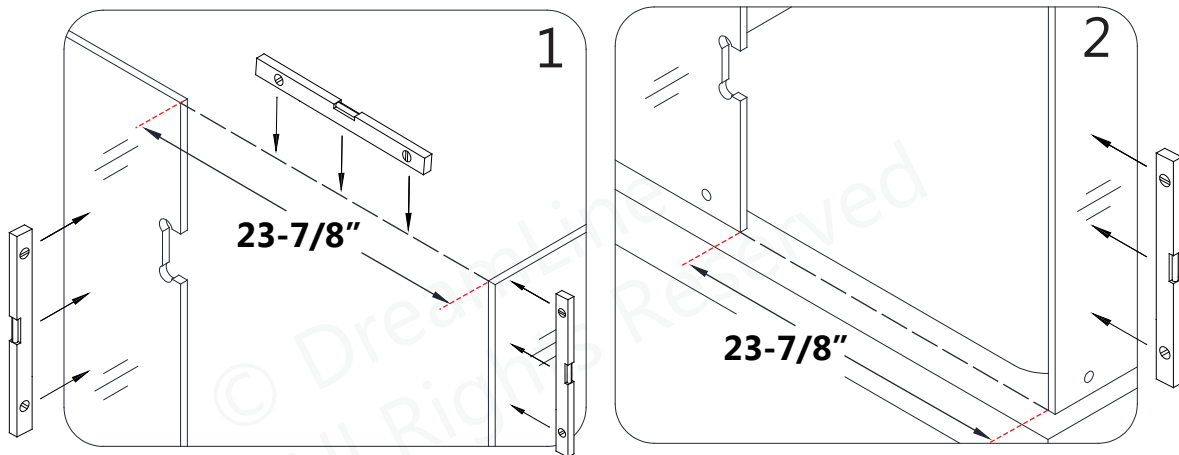


Fig 3

4. Outline the position of the **Wall Brackets (#14)** on the wall. Set the **Hinge Panel Glass (#01)** and **Return Panel Glass (#03)** aside. Remove the **Wall Brackets (#14)** from the **Glass panels**. Place the bracket base to the outlined position and mark the drilling hole on the wall **(Fig 4.2)**

*If a stud is present behind the wall, drill a **Ø3/16"** up to the stud and an **Ø1/8"** pilot hole into the stud. If no stud is present, use a **Ø5/16"** drill bit and insert the **Wall Anchors (#07)**.

Fasten the **Wall Brackets (#14)** to the wall using the **Truss Head Screws ST4.2x55 (#09)**. Repeat the process for all four **Wall Brackets (#14)**. **(Fig 4)**

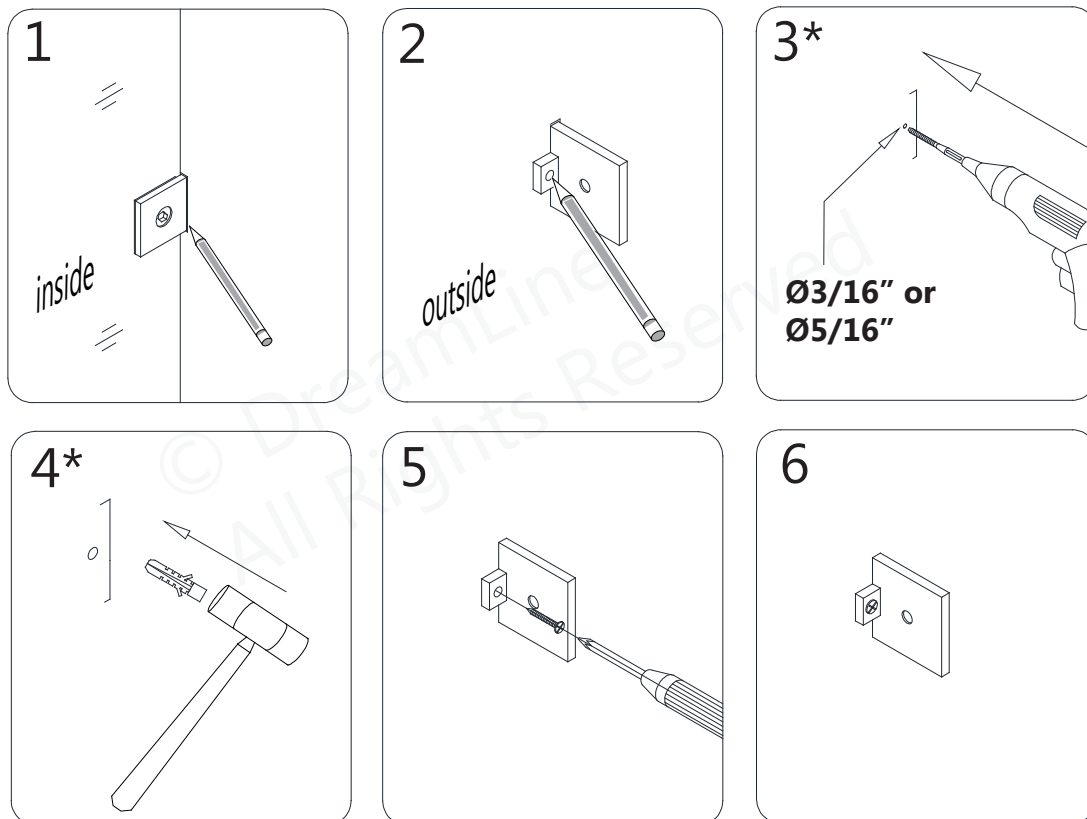


Fig 4

5. Carefully place the **Hinge Panel Glass (#01)** and **Return Panel Glass (#03)** back into the designated position. Assemble the **Wall Brackets (#14)** and tighten the bolts. **(Fig 5)**

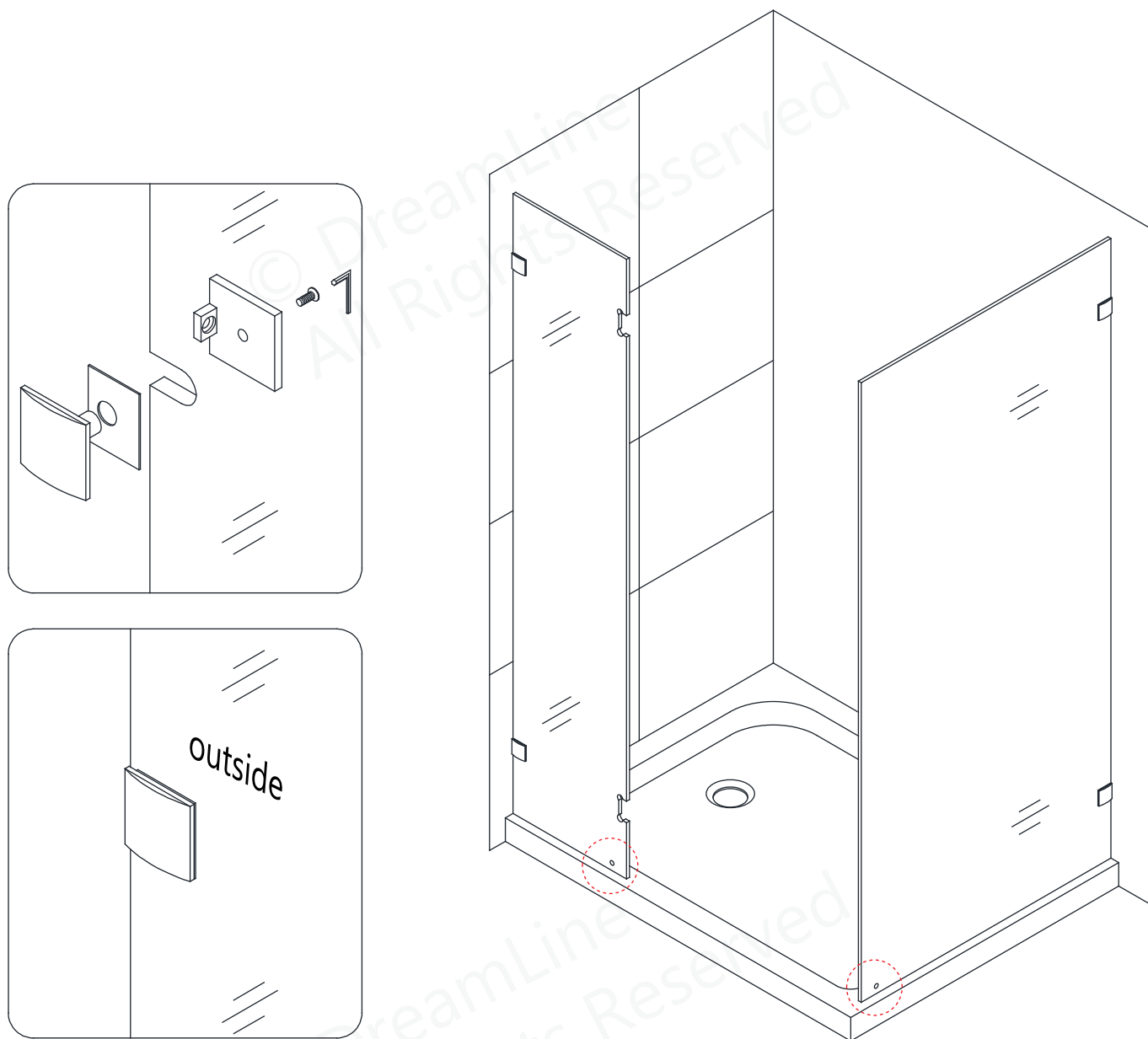


Fig 5

Installation Steps for Support Bar

6. Locate the **Support Bars (#04)**.

Position the support bar brackets on the panel glass and the wall (at a **45° angle** if possible) and level it horizontally. Hold the bracket firmly to the wall and outline the bracket's position on the wall (Fig. 6.1). Remove the **Support Bar (#04)** and detach the wall bracket. Place the wall bracket against its outlined position on the wall and mark the drilling hole.

Drill the hole using a **Ø5/16"** drill bit, insert the **Wall Anchor (#07)** and fasten the wall bracket to the wall with the **Countersunk Screw ST4.2x40 (#17)**. Attach the **Support Bar (#04)** to the wall bracket as shown in **Fig. 6.5**. Use the supplied gasket to protect the glass surface and tighten the set screws to secure the glass. (**Fig 6**)

NOTE: Make sure to use clear rubber gaskets to prevent glass to metal contact.

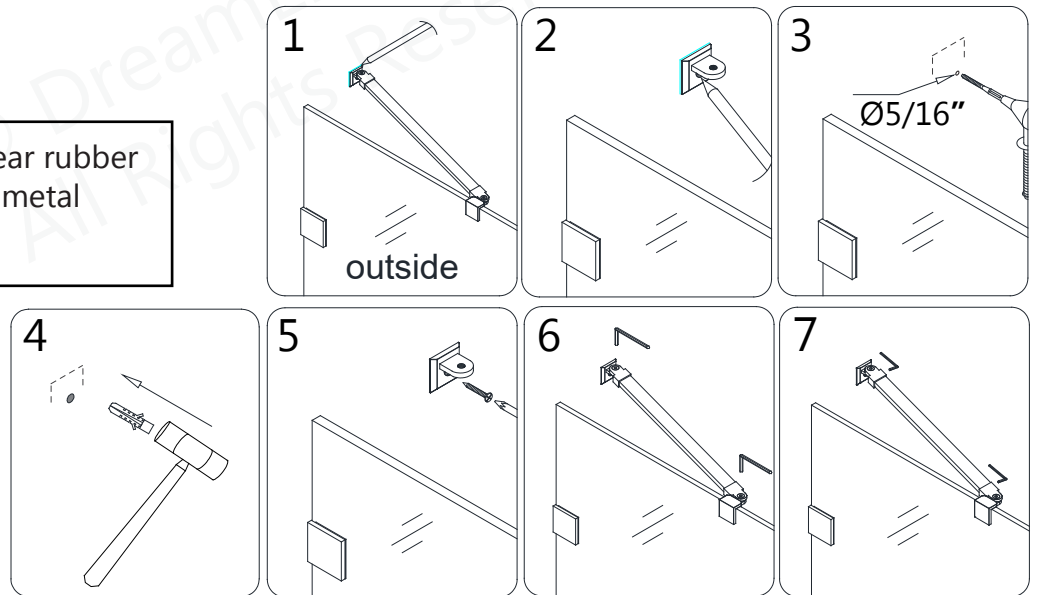
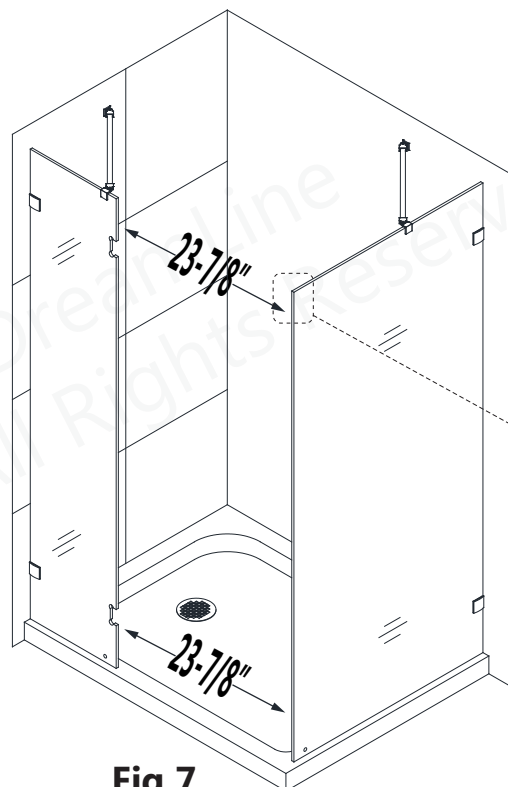


Fig 6

7. Repeat Step #6 to mount the second **Support Bar (#04)**. (**Fig 7**)



TIP: Attach the **90° Strike Vinyl (#11)** to the edge of the return panel glass to protect the edge during the installation of the door glass.

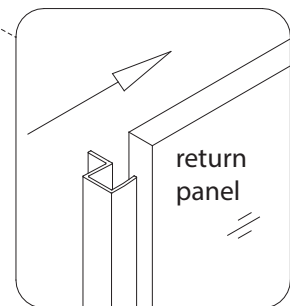


Fig 7

8. Attach the **Hinges (#06)** to the **Hinge Panel Glass (#01)** (with the bolts facing inside the shower). Use at least one gasket per side. Make sure that the hinges are flush to the edge of the glass and level. Carefully bring the **Door Glass (#02)** into the shower between the two stationary panels. Level up the **Door Glass (#02)** next to the **Hinge Panel Glass (#01)** and fasten the hinges onto the **Door Glass (#02)**. Make sure the top edges of the **Door Glass (#02)** and both **Glass panels** are flush and level. (**Fig 8a, Fig 8b and Fig 8c**)



NOTE: Do Not attach the handle to the door glass until instructed.
Do Not attempt to lift the door glass with the handle as this may result in damage to the glass and/or serious personal injury. Use a professional grade glass suction cup and an assistant when handling heavy glass.

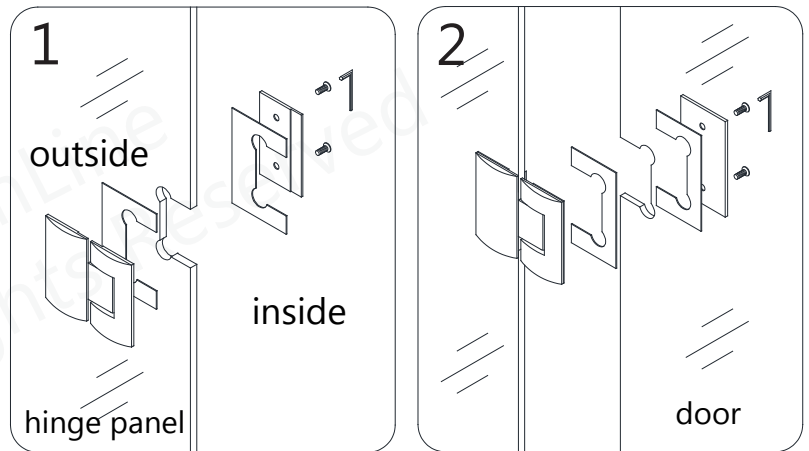


Fig 8a

TIP: Set the door glass upon a pair of wood or plastic shims (13/16" thick) to make the installation of the door glass onto the hinges easier.



Use caution when installing the door glass. **DO NOT** make contact with the edge of the return panel glass.

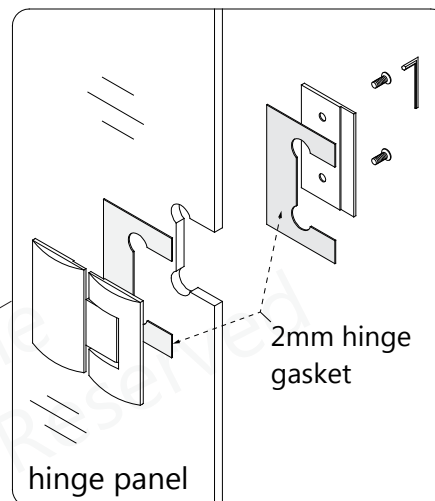
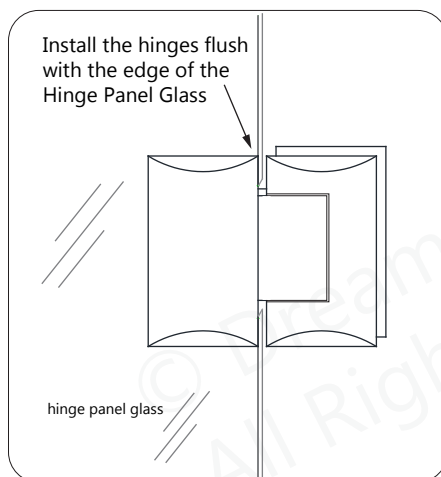
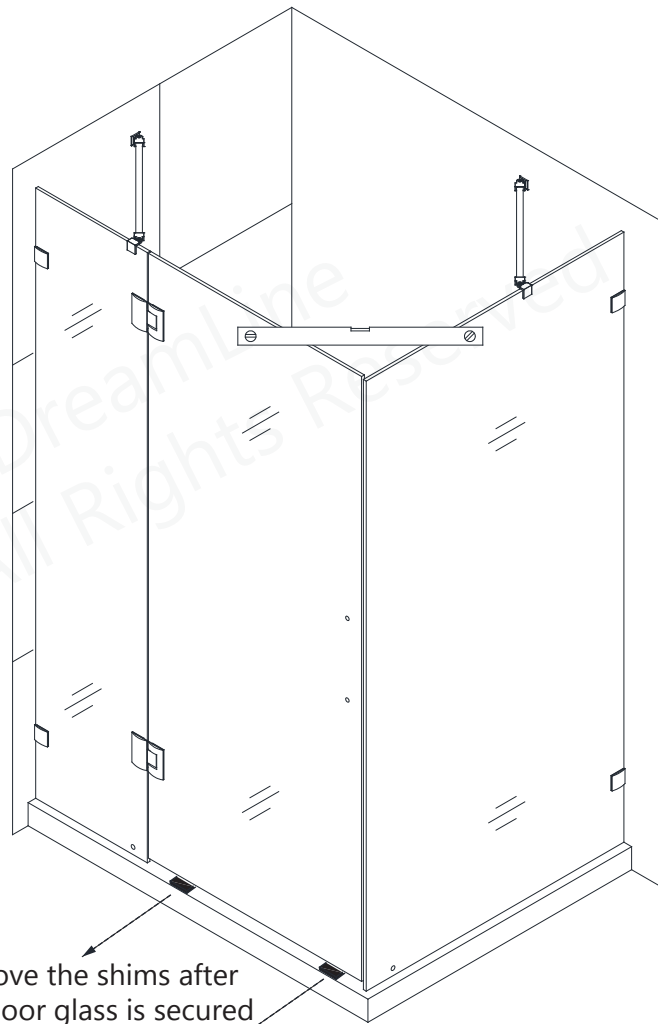


Fig 8b

NOTE: These adjustable hinges are factory set to overclose.
 See **Page 15** for instructions regarding the adjustment features of these hinges.

© DreamLine
All Rights Reserved



Remove the shims after
the door glass is secured
to the hinges

Fig 8c

9. Attach the Handle (#05) to the Door Glass (#02).

Trim the **Bottom Sweep Vinyl (#13)** to the width of the door glass and snap it onto the bottom of the **Door Glass (#02)**. (Fig 9.2)

Attach the **90° Strike Vinyl (#11)** to the edge of the return panel glass (Fig 9.3).
(Fig 9)

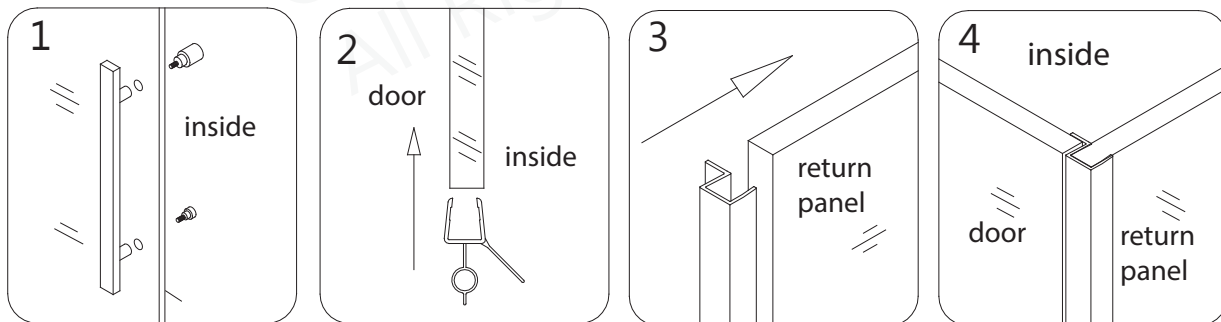


Fig 9

10. Measure the bottom of the **Door Glass (#02)** from end to end to determine the actual width. Using a razor knife, cut the **Bottom Sweep Vinyl (#13)** to the ewidth of the door glass. Optional: close the door and mark the sweep where it overlaps the strike vinyl; then notch approximately 3/8" off of the inner side of the **Bottom Sweep Vinyl** as shown in **Fig. 16.2**. Press the **Bottom Sweep Vinyl** tightly onto the bottom edge of the **Door Glass (#02)**. (**Fig 10**)

NOTICE: Make sure the **Bottom Sweep Vinyl** is flush with the vertical edge of the **Handle** side of the **Door Glass (#02)**.

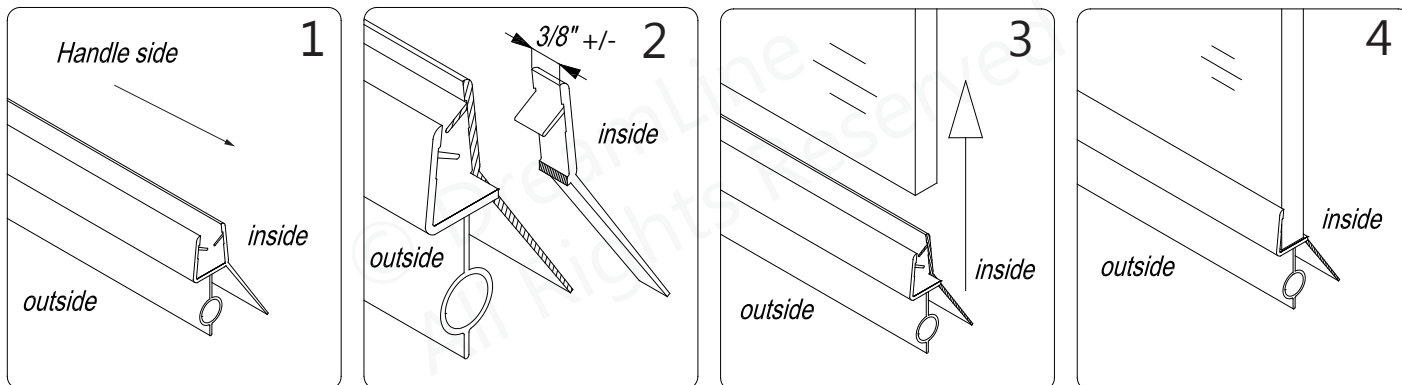


Fig 10

11. Take three measurements to prepare to notch the **Hinge Side Vinyl (#12)** to fit around the hinges:

- from the top edge of the **Door Glass (#02)** to the upper body of the top **Hinge (#06)** (+) 7/8"
- from the lower body of the upper **Hinge (#06)** to the upper body of the bottom **Hinge (#06)** (+) 1-3/4"
- from the lower body of the bottom **Hinge (#06)** to top of the installed **Bottom Sweep Vinyl (#13)** (+) 1-7/8"

Cut the **Hinge Side Vinyl (#12)** according to the measurements.

Notch the cut strips to be able to slide them into the **Hinge (#06)** and around the sweep vinyl to cover the space to the inline panel glass. Press the cut strips onto the vertical edge of the **Door Glass (#02)**.

(**Fig 11**)

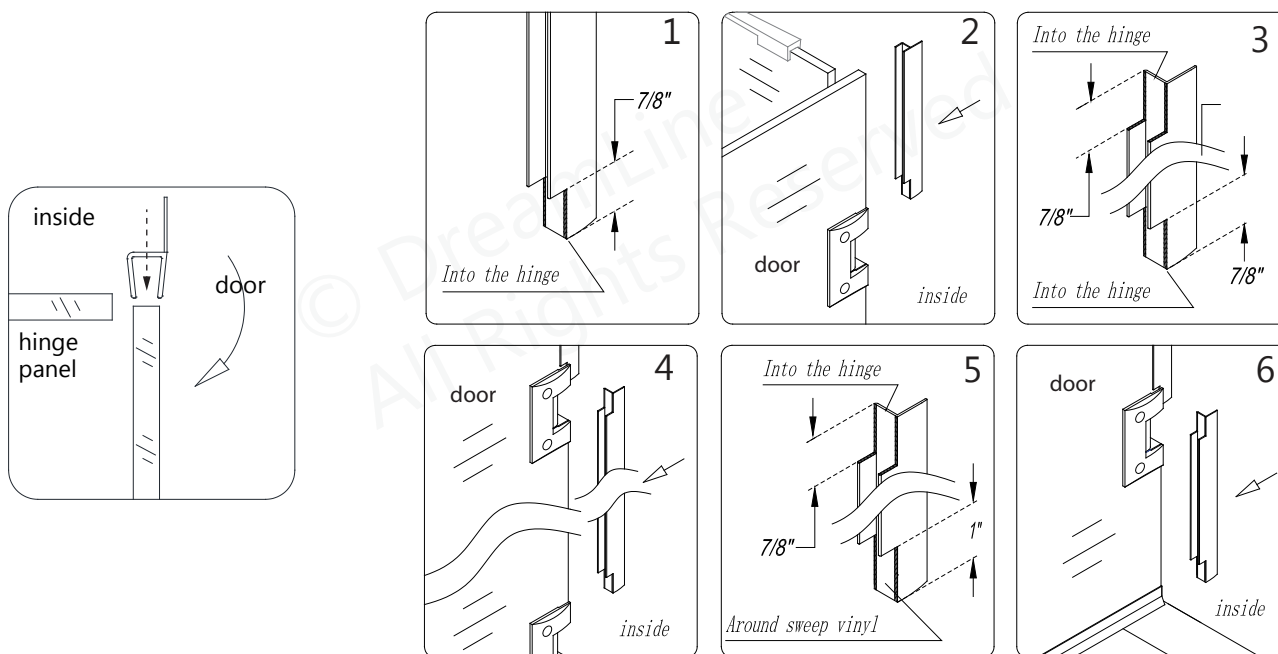


Fig 11

12. After final adjustment is complete, secure both lites of the **Stationary Glass** to the threshold. Assemble the **Bottom Brackets (#15)** onto the bottom of the **Stationary Glass**, using the gaskets to prevent glass to metal contact.

*Drill the holes into the Shower base through the holes in the flange of the **Bottom Brackets (#15)** using an **Ø1/8" drill bit for an acrylic base (or a Ø3/16" drill bit up to the stud, and an Ø1/8" bit to drill a pilot hole into the stud for installation into a tile threshold)**. Fasten the bottom brackets with the **Pan Head Screws ST4.2×25 (#08)** and washers. Cover the screw and washer with the **Decorative Covers (#10)**. (Fig 12)

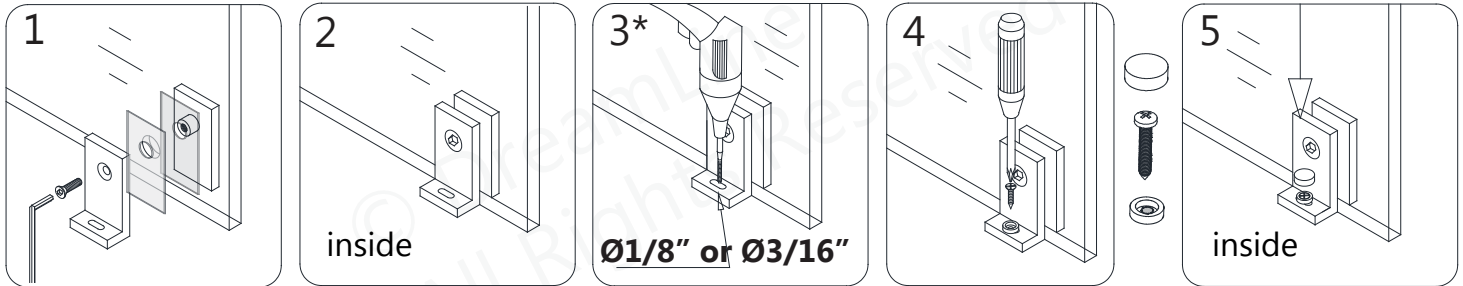
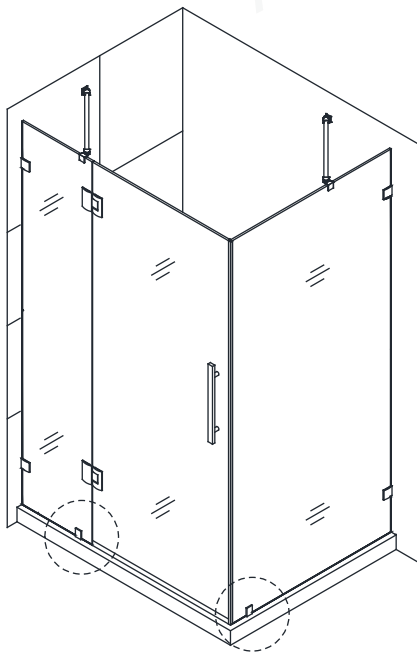


Fig 12



13. Make sure the area is clean and free of debris, then apply a good quality mildew-resistant silicone along the connection of the stationary glass with the walls and the threshold. (Fig 13)



Allow 24 hours for the silicone to fully cure before first use.

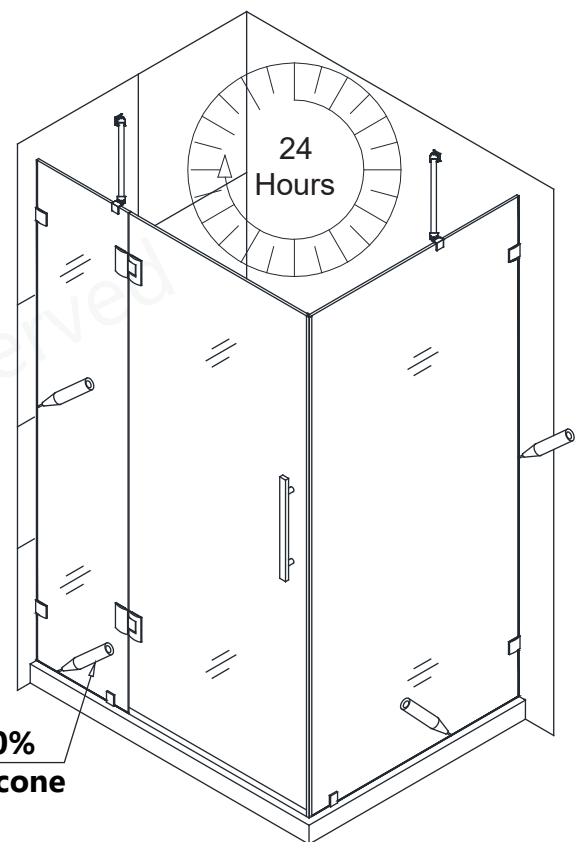
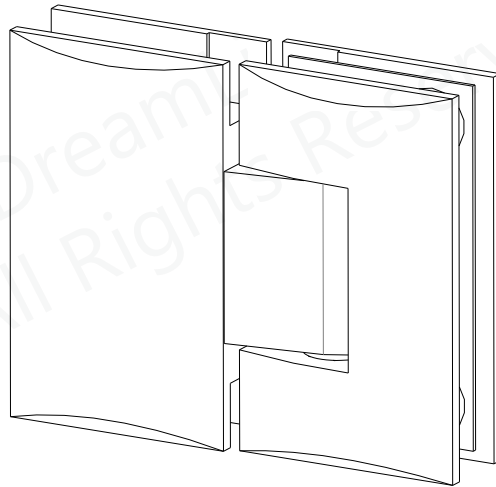


Fig 13

HG-PRS20A Adjustable Hinge Manual



Installation & Adjustment

1. Make sure the door glass is plumb and the edge of the hinge is installed flush with the glass edge. Tighten the faceplate screws. (Figure 1)

2. The hinges are set to overclose at 172° degrees. You can change this angle by using the adjustment screws on the hinge plate. (Figure 2)

3. Use the supplied Allen Key to loosen the adjustment screws on the hinge plate, adjust the door to the desired angle then tighten the adjustment screws. (Figure 3)

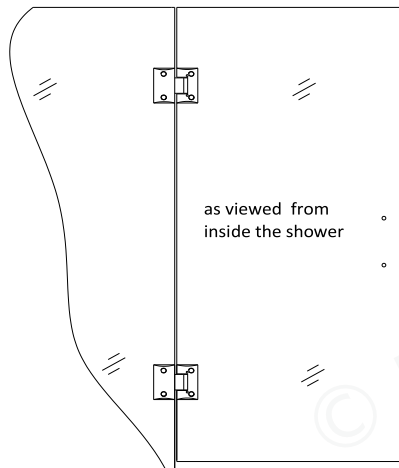


Figure 1

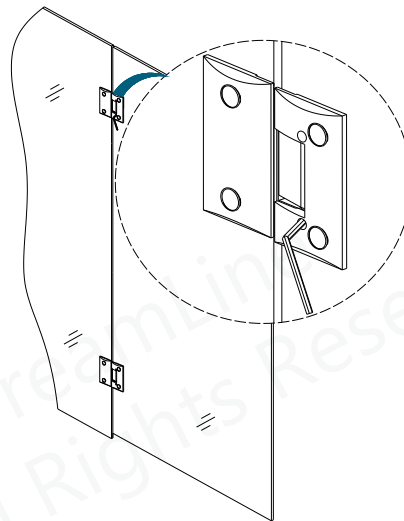


Figure 2

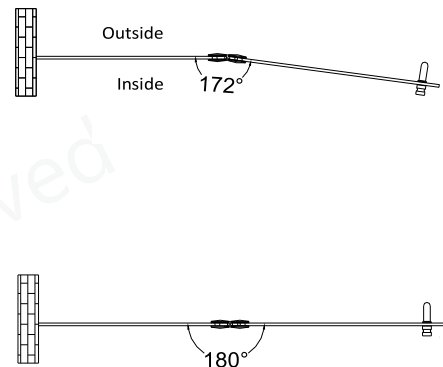


Figure 3

Safe Use & Daily Maintenance

- The overclose setting requires strike vinyl for the door to close against and seal.
- Use a soft cloth to clean the hinge surfaces. Do not use abrasives or acidic liquids as this will damage the finish.
- Be careful not to scratch the finished surfaces of the hinge during installation.

Product Maintenance

BASES and BACKWALLS: To ensure long lasting life for your acrylic back walls: wipe them off after each use with a soft cloth. To clean the acrylic back walls use non-abrasive sprays or cream based cleaners. Avoid the use of aerosol spray cleaners. Never use abrasive cleansers, metal brushes or scrapers that could scratch or dull the surface.

GLASS: To ensure long lasting life for your glass shower products: wipe them off after each use with a soft cloth. Rinse and wipe off the glass using either a soft cloth or a squeegee to prevent soap buildup and water spots (Hard water can etch the surface of the glass over time if left to dry). To prevent scratching the surface: never use abrasive cleaners or cleaning products that contain scouring agents. Never use bristle brushes or abrasive sponges that may scratch the surface.

HARDWARE: To ensure a long lasting finish: wipe off the metal parts after each use with a soft cloth. Do not use abrasive cleaners or cleaning products containing ammonia, bleach or acid. If accidentally used, rinse the surface as soon as possible to prevent damage to the finish (peeling or corrosion). After cleaning the polished finishes, rinse thoroughly and wipe dry with soft cloth. Clean stainless steel surfaces at least once a week. When applying stainless steel cleaner or polish to stainless steel hardware, work with (not across) the grain. Never use an abrasive sponge or cloth, steel wool or wired brush as these may permanently scratch the surfaces.

NOTE: To maximize the life of your door, it is important to regularly inspect the glass and all hardware for misalignment, proper attachment, and/or damage. Contact DreamLine® with any questions or concerns.

DreamLine® shower doors and enclosures are designed not to leak when installed properly and the flow of water is not pointed directly at the hinges or vinyl seals.

© DreamLine
All Rights Reserved

© DreamLine
All Rights Reserved



© DreamLine
All Rights Reserved

TEL: 866-731-2244
FAX: 866-857-3638
DREAMLINE.COM

For more information on DreamLine® Shower Doors and Enclosures please visit **DreamLine.com**