

# Strom Plumbing

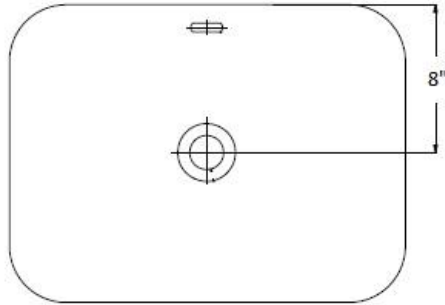


Ph: (916) 638-2722 / Fax: (916) 638-2725

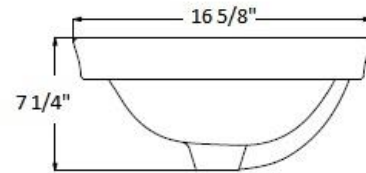
## Installation Information

### Item #P1119 Drop-in Sink

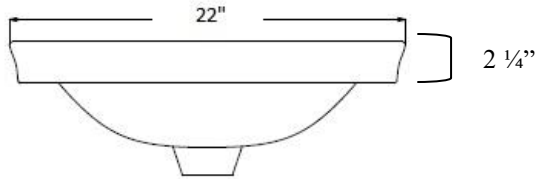
TOP\_VIEW



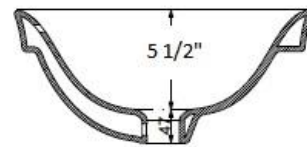
SIDE\_VIEW



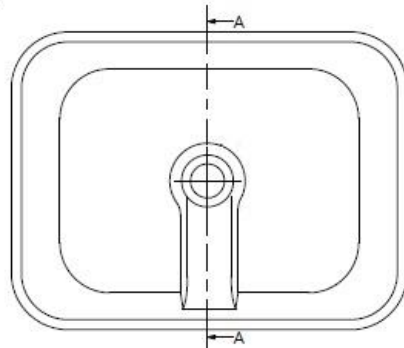
FRONT\_VIEW



SECTION\_VIEW A-A



BOTTOM\_VIEW



P1119 cutting template

