

# Strom Plumbing

BY  
Sign of the Crab

Ph: (916) 638-2722 / Fax: (916) 638-2725

## Installation Information

Item #P1007

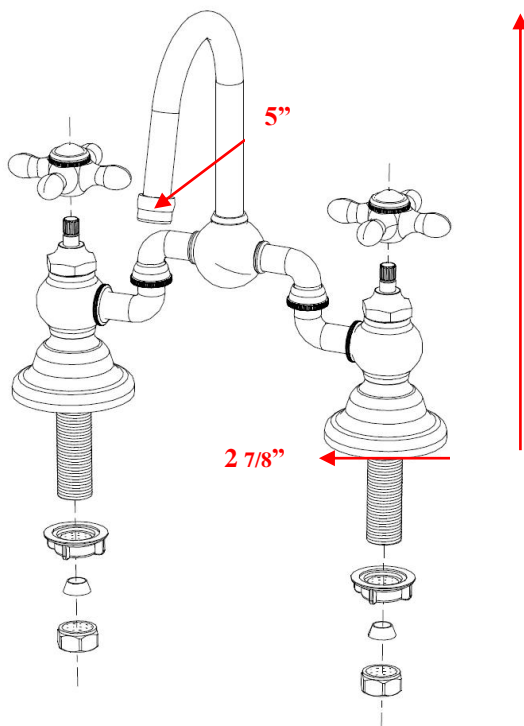
Adjustable Bridge Faucet, 6" – 8" centers

Warranted only if installed by a qualified licensed plumber. Use Teflon tape on all threaded connections.

Minimum hole size in sink or deck is 1" diameter

Maximum deck/sink thickness is 1 1/4"

1. Shut off the water supply before installation.
2. Minimum hole size of 1" is required in sink or deck at 6" or 8" centers.
3. Faucet centers can be varied by loosening the two decorative nuts on the center tubes and swiveling. Please use caution when tightening to protect the finish.
4. Insert threaded shanks through the escutcheon and then through the holes in the deck or sink. Place Lockdown nuts on shanks and tighten faucet to deck.
5. Attach supply lines to the 1/2" IPS faucet shanks.
6. Remove the aerator from the end of the spout and turn on water supply to flush hot and cold lines until the water is clear.
7. Re-install the aerator and enjoy your beautiful faucet.
8. Make no adjustments to valves or valve stems. They are tested at the factory for optimum performance.



<u>ITEM #</u>	(A) <u>SPOUT EXTENSION</u>	(B) <u>HEIGHT</u>	(C) <u>BASE DIAMETER</u>
P1007	5"	12"	2 7/8"

Minimum hole size for installation is 1", maximum counter thickness 1 1/4"