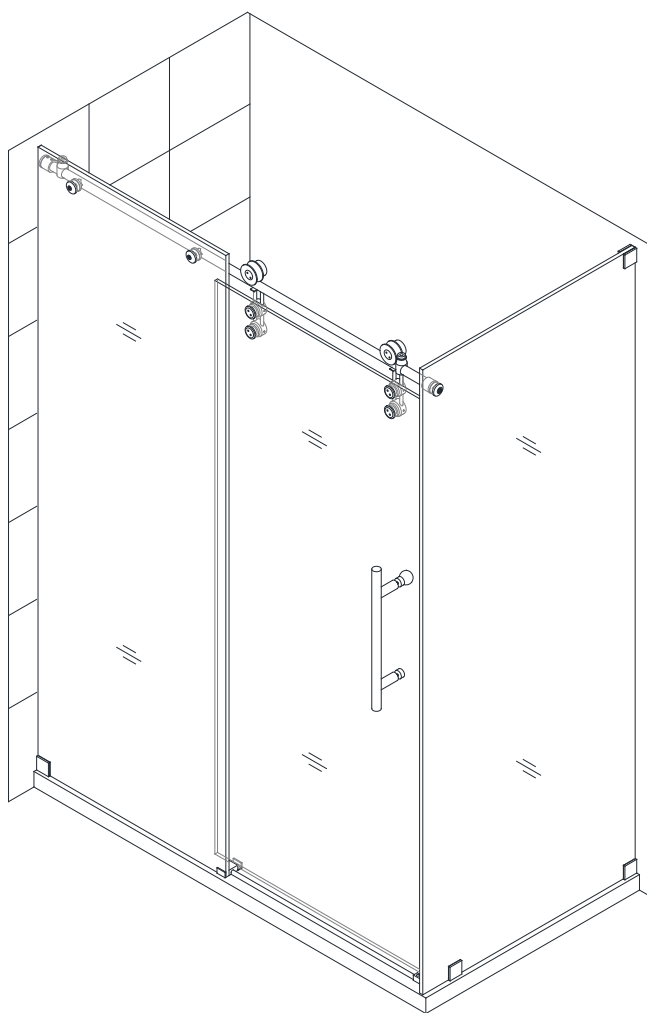


## ENIGMA-Z Enclosure

### SHOWER ENCLOSURE INSTALLATION INSTRUCTIONS

**IMPORTANT**

DreamLine<sup>®</sup> reserves the right to alter, modify or redesign products at any time without prior notice. For the latest up-to-date technical drawings, manuals, warranty information or additional details please refer to your model's web page on **DreamLine.com**



Right-hand return panel installation shown

**MODEL #s**

SHEN-623448-##

SHEN-623460-##

##=finish

07- Brushed Stainless Steel

08- Polished Stainless Steel



**Questions?**

Please Call **DreamLine** Customer Support: **1-855-831-2126**  
Hours of Operation M-F 8AM - 7PM EST and Saturday 9AM - 5PM EST

**Support@DreamLine.com**



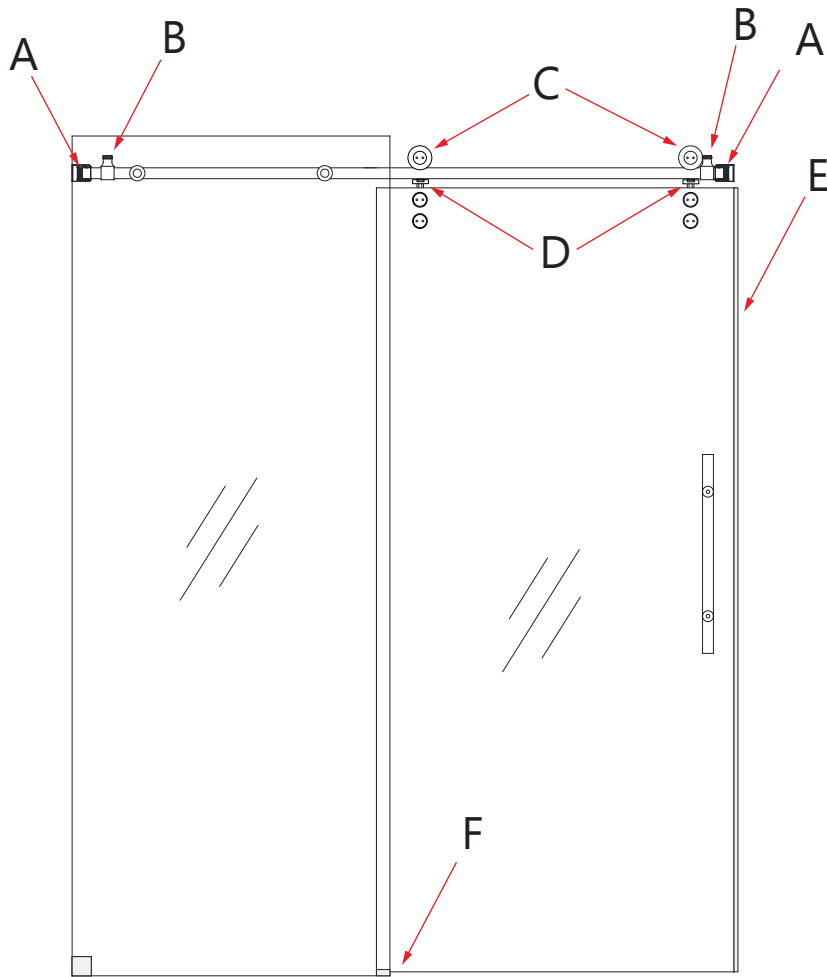
For more information about DreamLine<sup>®</sup> Shower Doors & Tub Doors please visit **DreamLine.com**



**This model is treated with DreamLine's exclusive ClearMax™ Glass technology. This is a specially formulated coating that prevents the build up of soap and water spots.**

**Install the surface with the ClearMax™ label towards the inside of the shower. Please note that depending on the model, the glass may be coated on either one or both surfaces.**

**For best results, squeegee the glass after each use and dry with a soft cloth.**



**IMPORTANT INFORMATION  
REGARDING THE INSTALLATION  
OF THIS SHOWER DOOR**

Right hand door installation shown as an example

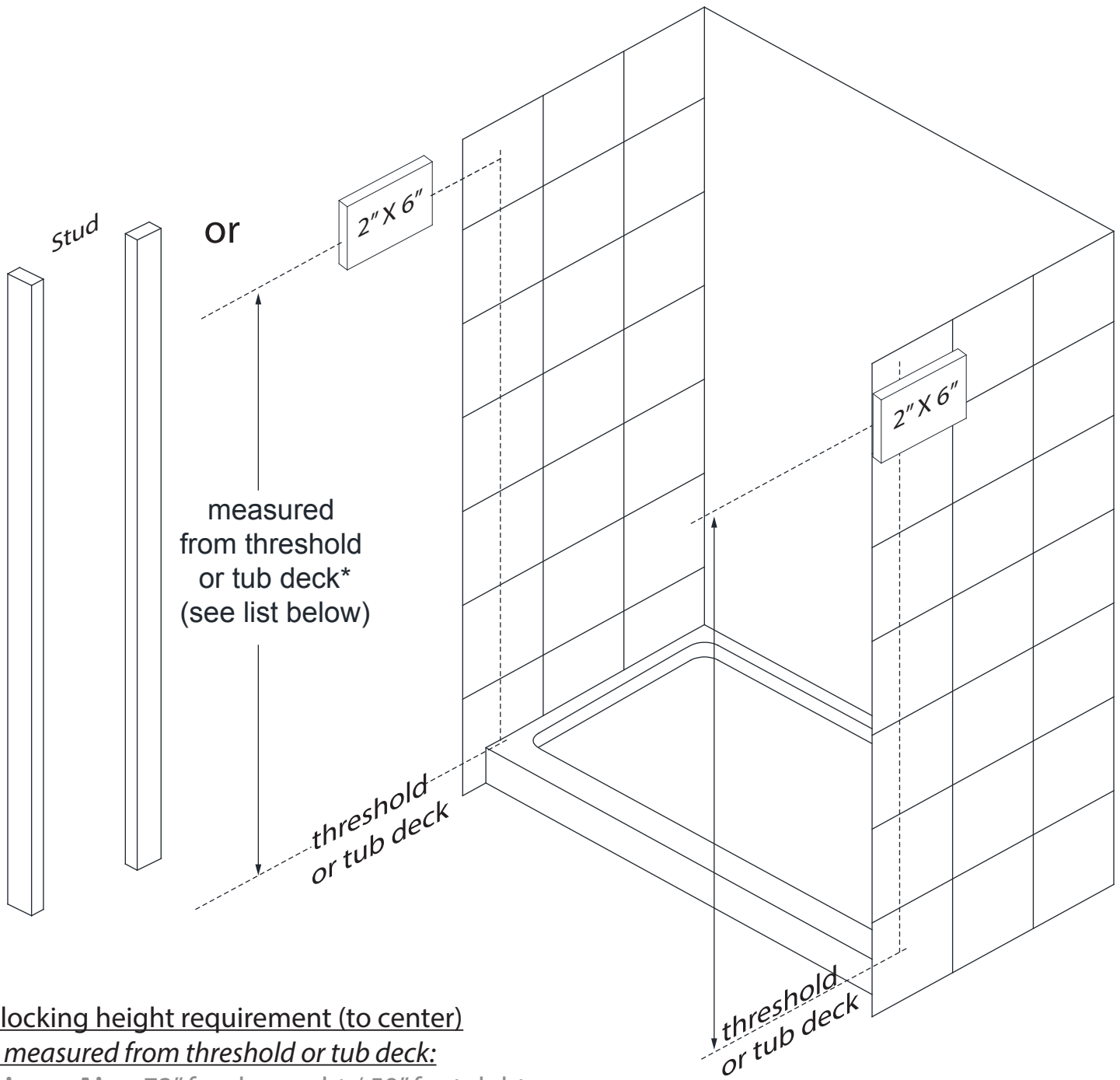
- A** **Guide Rail Brackets** must be firmly attached to the wall. **Installation into a stud is strongly recommended. All of the guide rail bracket set screws must be tightened.**
- B** **Thread Lock** must be applied to both stopper set screws. **Panel-side stopper must be installed into the pre-drilled stopper hole in the upper guide rail. Door-side stopper must be installed at the proper position to stop the door from contacting the wall.**
- C** **Roller Wheel Assembly Set Screws** must be tightened
- D** **Roller Guards** must be positioned and secured within 1/16" of Upper Guide Rail
- E** **Bumper Vinyl Seal** must be installed on the closing edge of the door glass
- F** **The Guide Block** must be screwed to the threshold and installed square to the panel glass and door glass. Installing the guide block crooked may damage the bottom edge of the door glass and lead to breakage.

**PLEASE READ THE ENCLOSED INSTALLATION MANUAL FOR DETAILS REGARDING PROPER INSTALLATION.**

**THE LATEST VERSION OF THE INSTALLATION MANUAL IS AVAILABLE TO VIEW OR PRINT AT DREAMLINE.COM**

# Reinforcement for Enigma Series Heavy Glass frameless sliding shower or tub door

Install studs OR install 2" x 6" wood blocking between the studs where the Guide Rail Brackets will attach to the wall



\*Blocking height requirement (to center)

as measured from threshold or tub deck:

**Enigma Air** = 73" for shower ht / 59" for tub ht

**Enigma X** = 72-1/2" for shower ht / 58-1/2" for tub ht

**Enigma Z** = 73-1/2" for shower ht / 59-1/2" for tub ht

**Enigma** = 75-1/2" for shower ht only

# Preparation

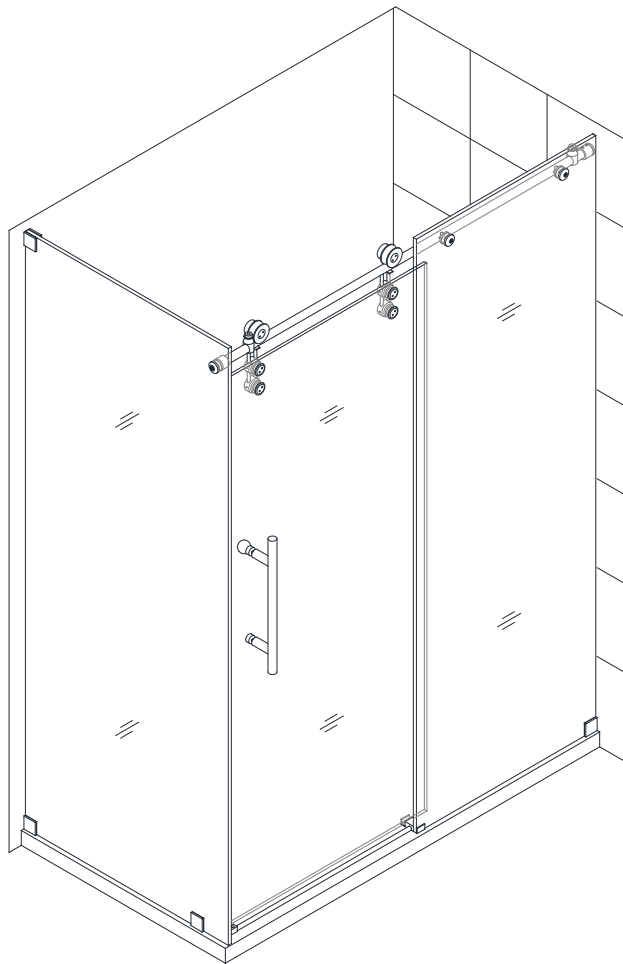
1. Prior to installation, examine all boxes and packages for shipping damage and compare the piece count with your packing slip. After opening all boxes and packages read this introduction carefully. Check that all of the needed parts are included in the package by checking off the components on the "Detailed Diagram of Shower Door Components". If the unit has been damaged, has a finishing defect, or has missing parts, please contact our customer support department within **3 business days** of the delivery date. **Please note that DreamLine® will not replace any damaged products or missing parts free of charge after 3 business days or if the product has been installed.** Contact DreamLine® if you have any questions, and please provide an order number, job name or other proof of purchase to help to identify the original order.
2. Please note that you should consult your local building codes with questions on installation compliance standards. Building and plumbing codes may vary by location, and **DreamLine® is not responsible for code compliance standards for your project and will not accept any returns.**
3. If this unit is going to be installed in a new construction, please install all of the required plumbing and drainage before installing the shower. Use a competent and licensed (if required by local code) plumber for all plumbing installation.
4. Please make sure that prior to beginning the installation, the surfaces are leveled and solid and will be able to support the total weight of the unit. Also make sure the walls are at right angles. Irregular installation surface level, radius corners or improper angle of side walls will result in serious problems for your installation. Please note that some adjustments and drilling might be necessary during the installation process.
5. Please protect all primary surfaces of the product during installation. Never set your glass down directly onto a tile floor. Leave corner protectors in place until necessary to remove them. Always use a piece of wood or cardboard to protect the bottom edge and corners of the glass prior to and during installation.
6. This unit must be installed upon a finished threshold and against finished walls.
7. **NOTE!** This model has NO adjustment for out-of-plumb wall conditions. Verify that your walls are plumb before proceeding with the installation.
8. **This model requires that you drill into the threshold for proper installation.**
9. Take extra care during installation when you set your glass directly onto the threshold as instructed.
10. This door requires a minimum **2-3/8"** of flat threshold space for installation.
11. **Please note that Step #15 has an option for installing the guide rail brackets to the wall using anchors. However, the manufacturer strongly recommends installing these heavy doors to the studs or to pre-installed 2"x 6" wood reinforcements behind the wall in the area where the guide rail brackets will be attached to the wall.**



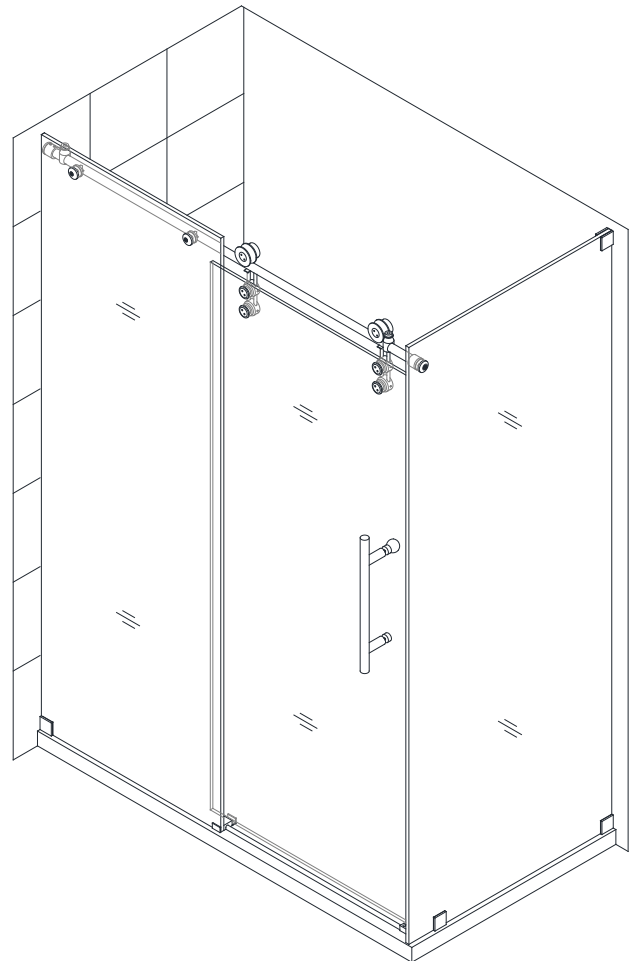
**Attention: This door is extremely heavy and requires professional installation. Two installers recommended.**



**NOTE: Do Not** attach the handle to the door glass until instructed. **Do Not** attempt to lift the door glass with the handle as this may result in damage to the glass and/or serious personal injury. Use a professional grade glass suction cup and an assistant when handling heavy glass.



Left-hand return panel installation



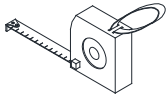
Right-hand return panel installation

**NOTE:** The Enigma-Z enclosure is reversible for left or right-hand return panel installation. This manual will show the right-hand return panel installation. For a left-hand return panel installation, simply begin on the opposite wall and reverse the orientation of the parts as necessary.

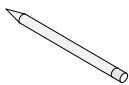
## Tools



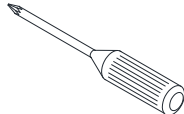
Level



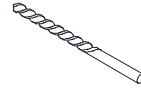
Tape Measure



Pencil



Phillips Screwdriver



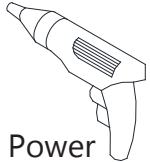
Drill bit  
( $\text{Ø}=3/8''$ )  
(10 mm)



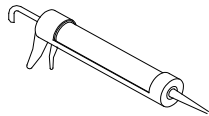
Drill bit  
( $\text{Ø}=5/16''$ )  
(8 mm)



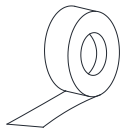
Drill bit  
( $\text{Ø}=1/8''$ )  
(3 mm)



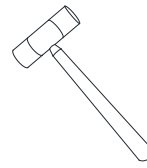
Power Drill



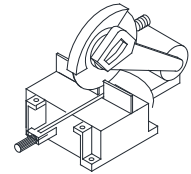
Silicone



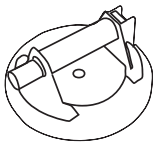
Painter's Tape



Soft Head Hammer



Chop saw and Hacksaw

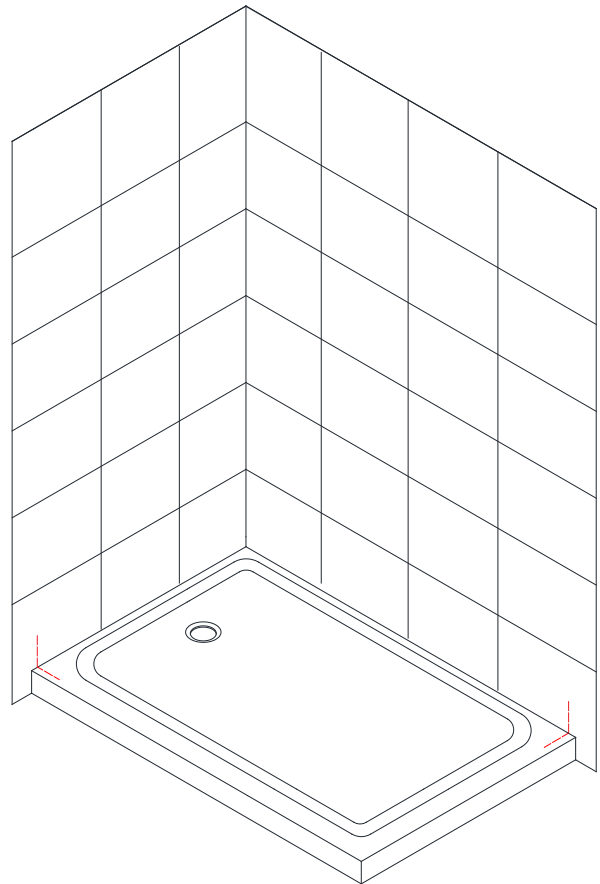


Professional-grade  
Glass suction cup

**Tip:** Measure the finished opening before proceeding with the installation to be sure that the correct model size has been ordered.

**Tip:** Set screw gun clutch to low setting when installing screws and bolts to prevent stripping the heads.

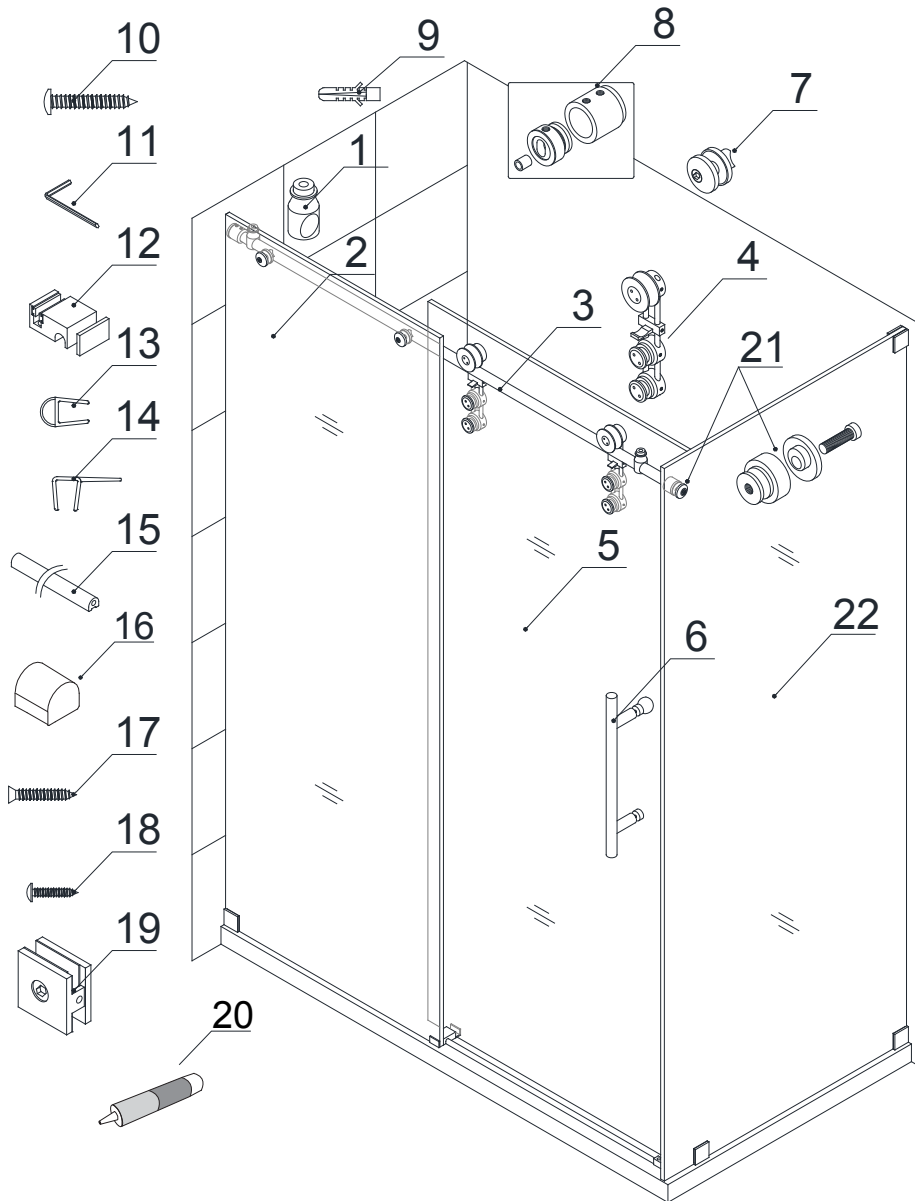
**Tip:** Before installation, cover the shower drain to prevent losing small parts.



**NOTE:** Unpack your unit carefully and inspect it. Lay it out and identify all parts using the detailed diagram and packing list in this manual as a reference. Before discarding the carton, check for small hardware bags that may have fallen to the bottom of the box. If any parts are damaged or missing, please contact DreamLine® for replacement. The shipping boxes may contain extra parts not used in your model configuration.

**NOTE:** Retain these installation instructions for future reference.

# Detailed Diagram of shower door components



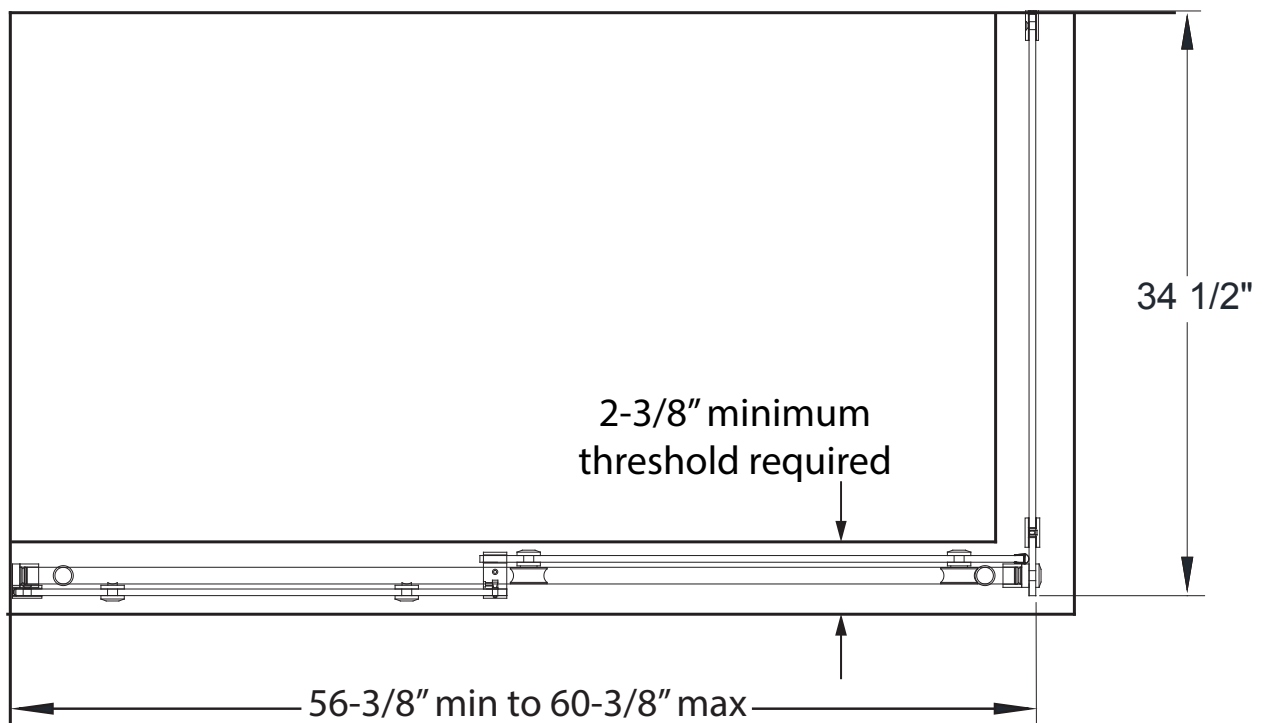
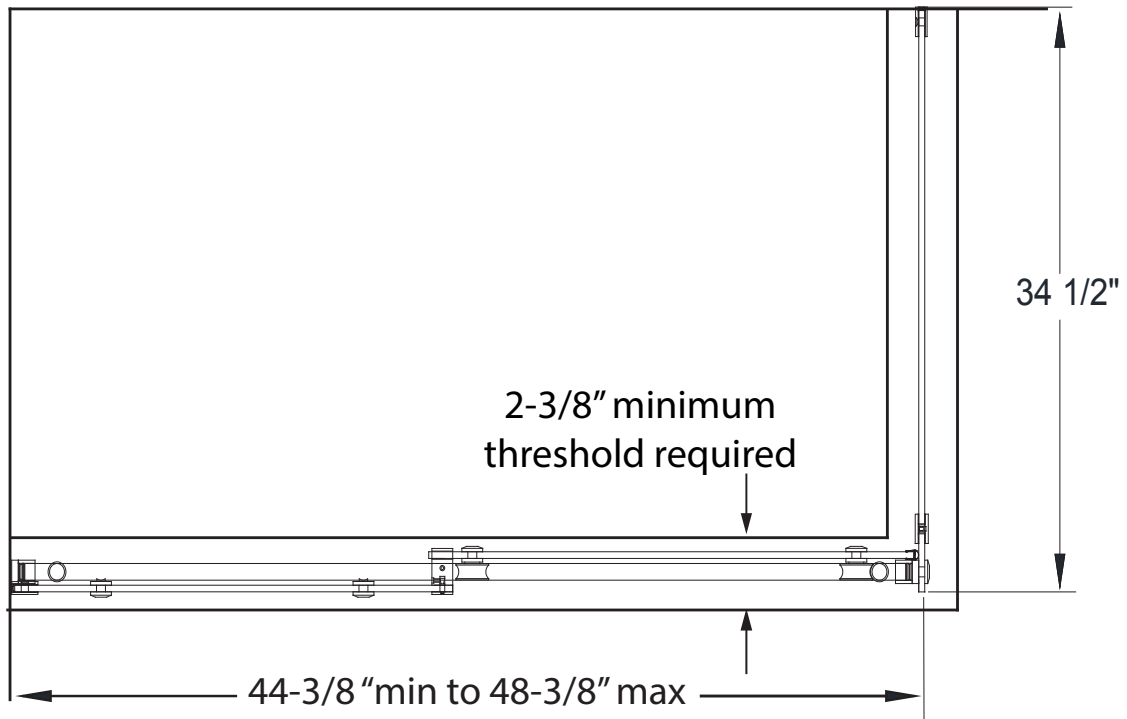
**CLEARMAX™**  
 The glass surface with the ClearMax™ label must be installed to face inside of the shower

## Parts List

Part#	Description	Qty	Part#	Description	Qty
01	Door stopper	2pcs	12	Guide block	1pc
02	Stationary glass	1pc	13	Bumper seal strip	1pc
03	Upper Guide rail	1pc	14	Anti-water strip	2pcs
04	Roller	2pcs	15	Anti-splash guard	1pc
05	Door Glass	1pc	16	Anti-splash guard cap	1pc
06	Handle	1pc	17	Countersunk screw ST4.2x25	4pcs
07	Glass bracket	2pcs	18	Truss head screw ST4.2x55	3pcs
08	Guide rail bracket	2pcs	19	Wall bracket	4pc
09a	Wall anchor Ø3/8"	1pc	20	Thread Lock Adhesive	1pc
09b	Wall anchor Ø5/16"	3pcs	21	Glass Connector	1pc
10	Large Truss head screw ST6x65	1pc	22	Return panel glass	1pc
11	Hex wrench 3mm, 4mm, 5mm	1set			

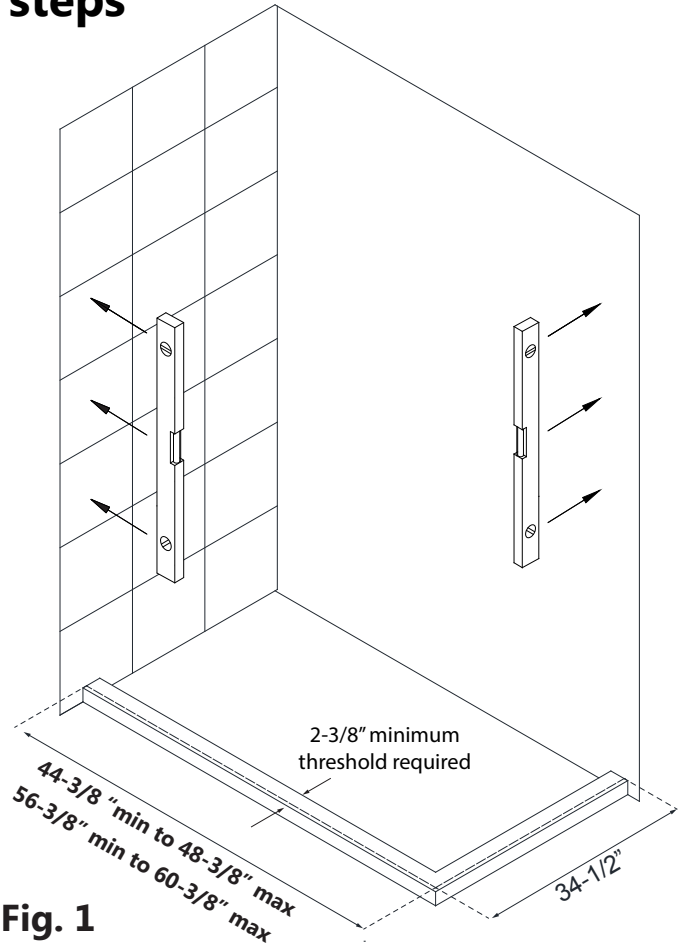
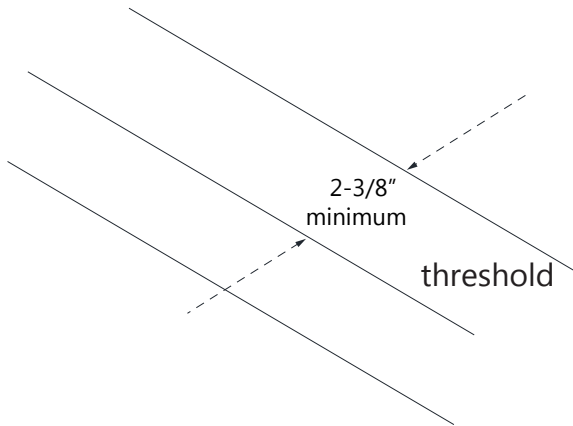


# Shower Enclosure Plan



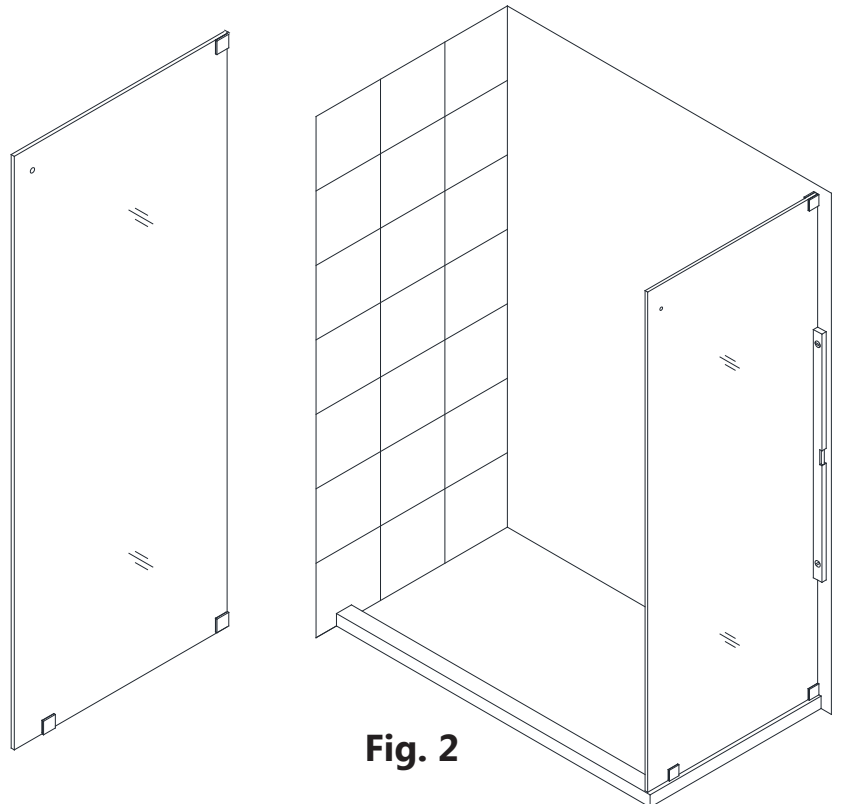
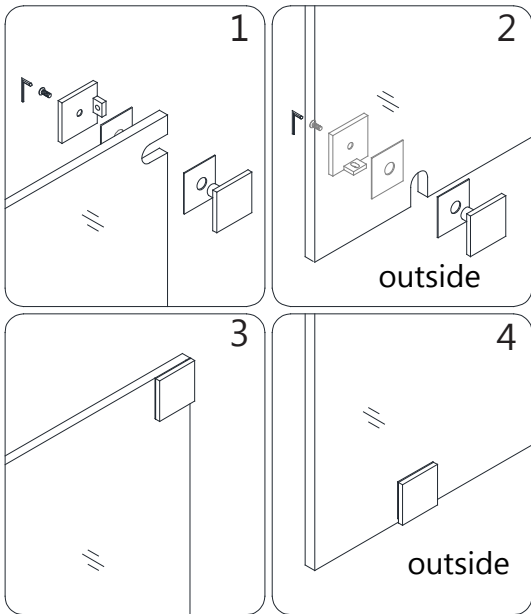
# Installation steps

**1.** This shower enclosure requires a minimum **2-3/8"** wide threshold, shower base, or installation space. Compare the overall outside dimensions of the shower enclosure model size (as shown on the "Shower Enclosure Plan") with your finished threshold. **(Fig. 1)**



**Fig. 1**  
outside dimensions of installed enclosure

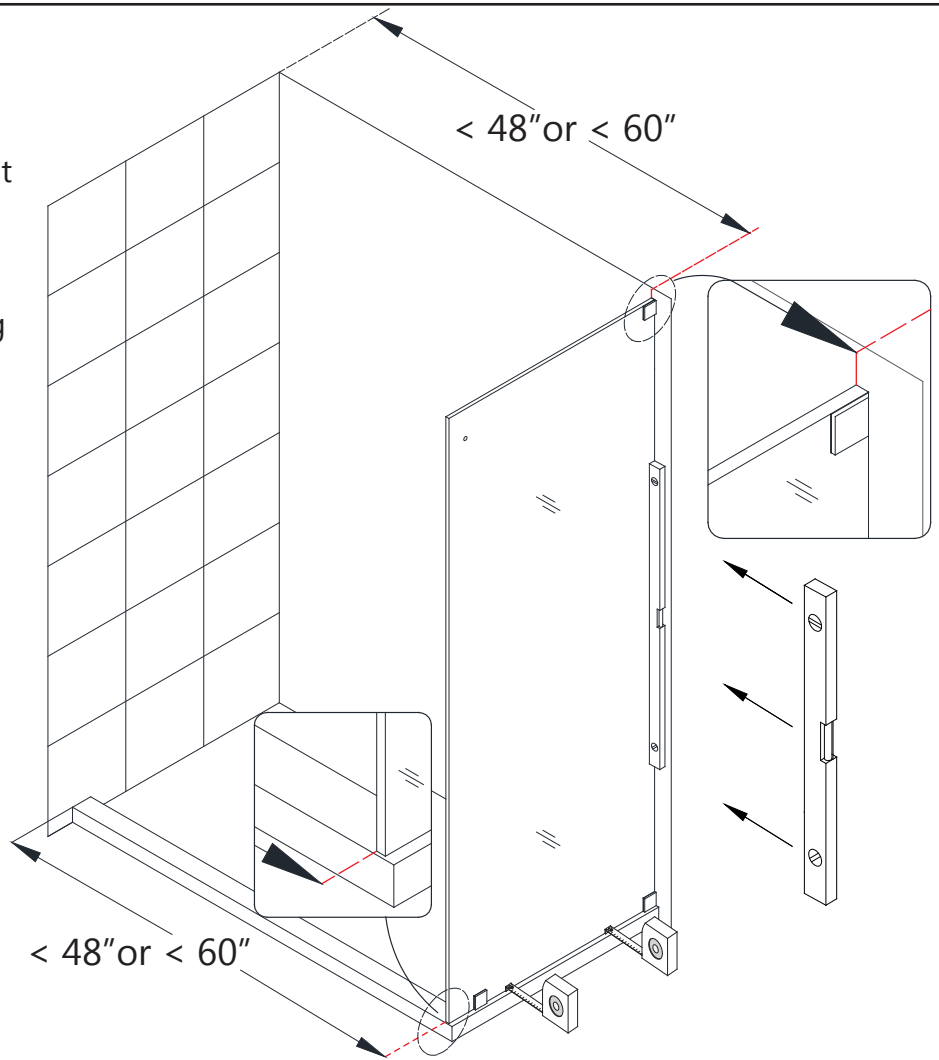
**2.** Attach the **Wall Brackets (#19)** to the **Return Panel Glass (#22)**. The bolt should face the inside of the shower. **(Fig. 2)**



**Fig. 2**

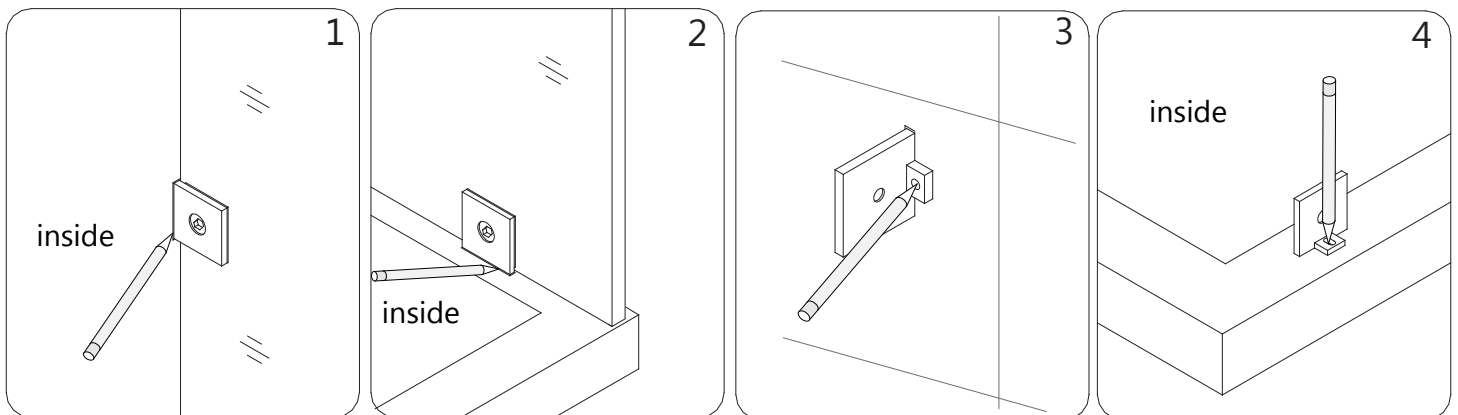
**3.** Place the **Return Panel Glass (#22)** on the pre-installed shower base or threshold. Position the panel up against the wall and level it vertically (plumb). Make sure the **Return Panel Glass (#22)** is aligned with the shower base or threshold and will create an opening that is within the model dimensions of the door section: <48" (SHEN-6234480) or <60" (SHEN-6234600) depending on the model size. **(Fig. 3)**

See the "Shower Enclosure Plan" on page 8 for dimensions.



**Fig. 3**

**4.** Outline the position of the **Wall Brackets (#19)** on the wall and the shower base or threshold. Carefully set the **Return Panel Glass (#22)** aside. Remove the **Wall Brackets (#19)** from the **Return Panel Glass (#22)**. Place the brackets against the outlined positions and mark the holes on the wall for drilling. **(Fig. 4)**

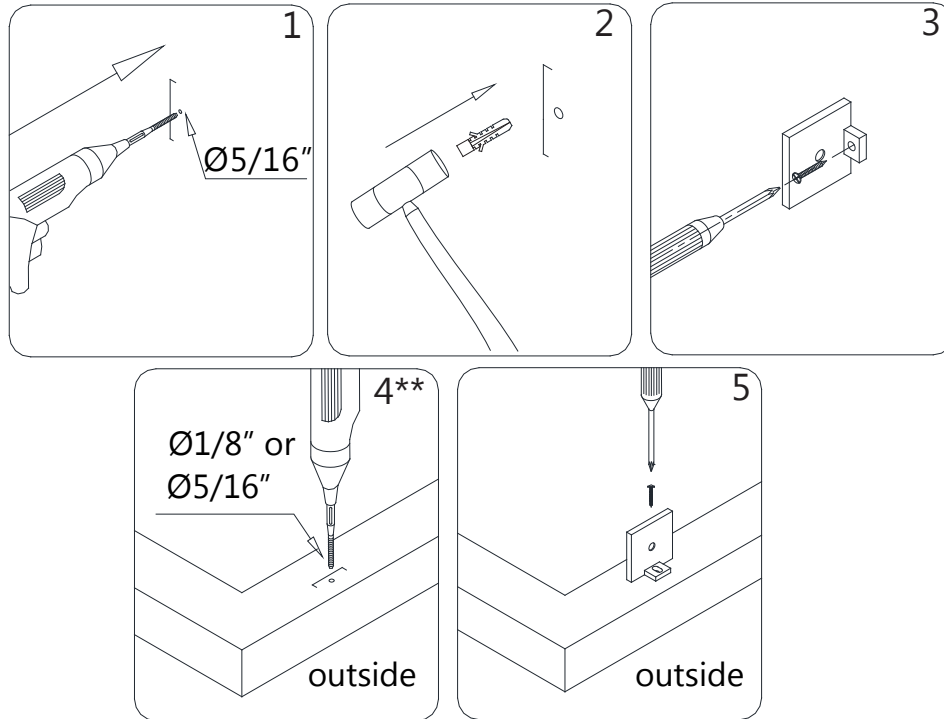


**Fig. 4**

**5.** Drill the holes in the wall using a  $\text{Ø}5/16''$  drill bit and insert the **Wall Anchors (#9b)** for the two **Wall Brackets (#19)**. Mount the **Wall Brackets (#19)** to the wall using the **Truss Head Screw ST4.2×55 (#18)**.

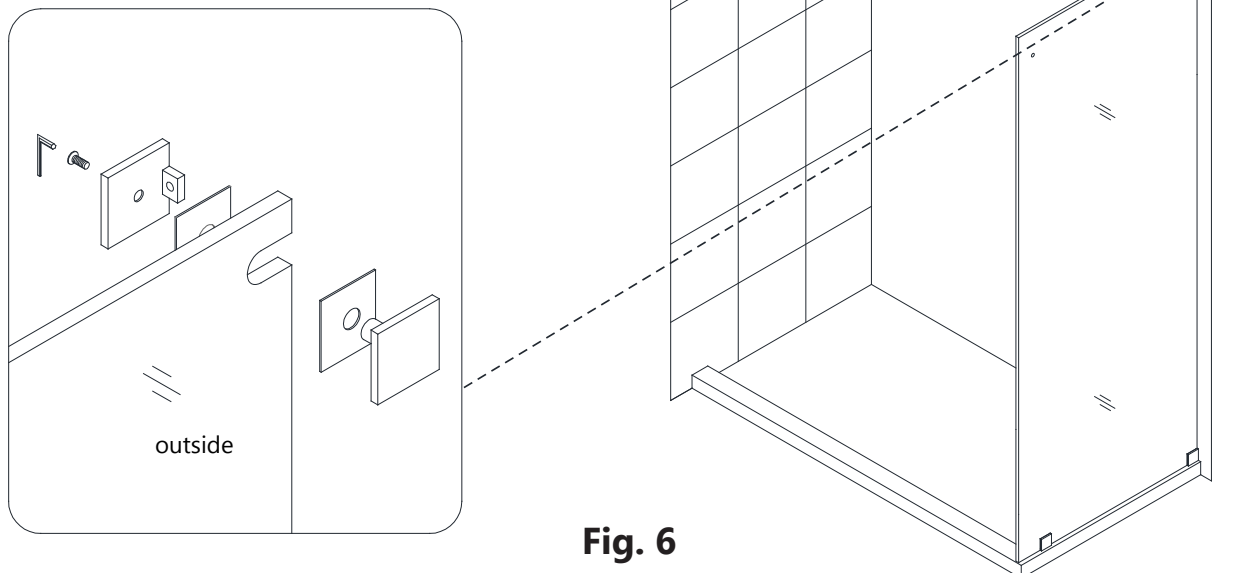
**For installation into an Acrylic Base:** Drill a hole in the shower base threshold using a  $\text{Ø}1/8''$  drill bit and mount the remaining **Wall Bracket (#19)** to the threshold using the **Round Head Screw ST4.2×25 (#17)**.

**\*\*For installation onto a Tile Threshold:** Drill a  $\text{Ø}5/16''$  hole and install an anchor using the **Round Head Screw ST4.2×25 (#17)**. (Fig. 5)



**Fig. 5**

**6.** Place the **Return Panel Glass (#22)** back in the designated position and assemble the **Wall Brackets (#19)** to the **Return Panel Glass (#22)**. Use the **supplied gaskets** to protect the glass from contact with the metal. (Fig. 6)



**Fig. 6**

**7.** Measure the distance from the finished wall to the inside surface of the installed **Return Panel Glass (#22)**.

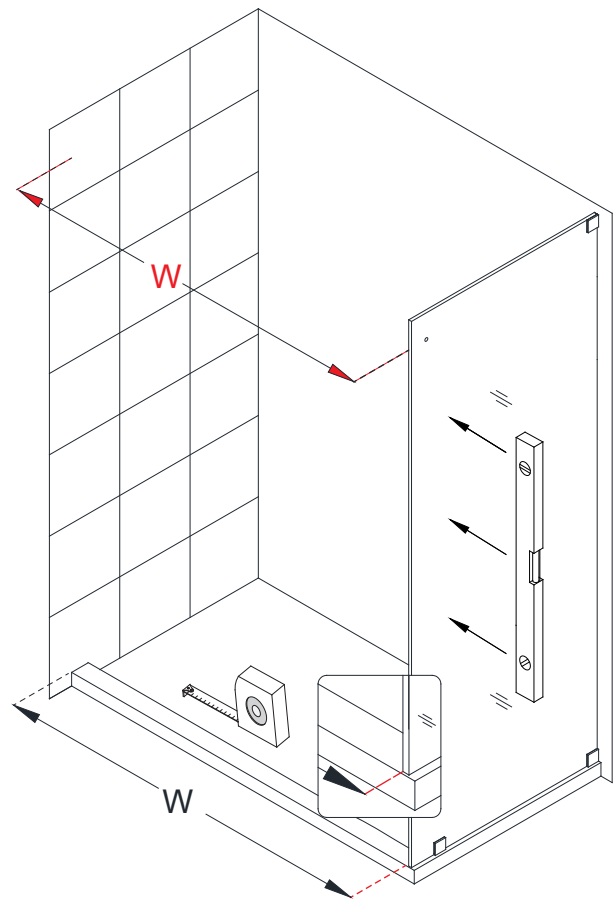
This distance will represent the finished opening size "**W**" that will be used to calculate the finished cut dimension for the **Upper Guide Rail (#03)**. (**Fig. 7**)

**8.** The **Upper Guide Rail (#03)** has been pre-cut for your model width of: 48" or 60" (the actual rail is shorter than the model width by design).

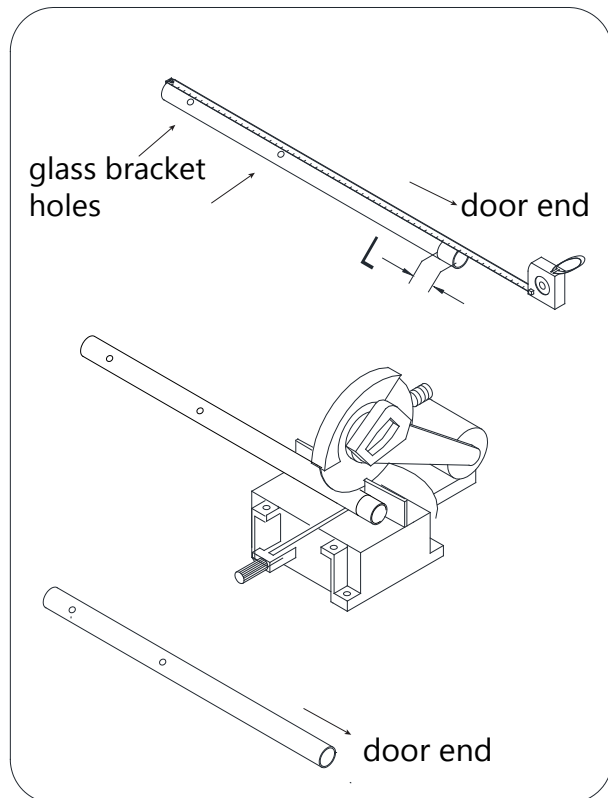
Cut the **Upper Guide Rail (#03)** from the door end only, which is the end that is farther from the **Glass Bracket (#07)** holes. (**Fig. 8**)

The length to cut off will be **L**:

**Model Width – opening W = cut off length L**



**Fig. 7**



**Fig. 8**

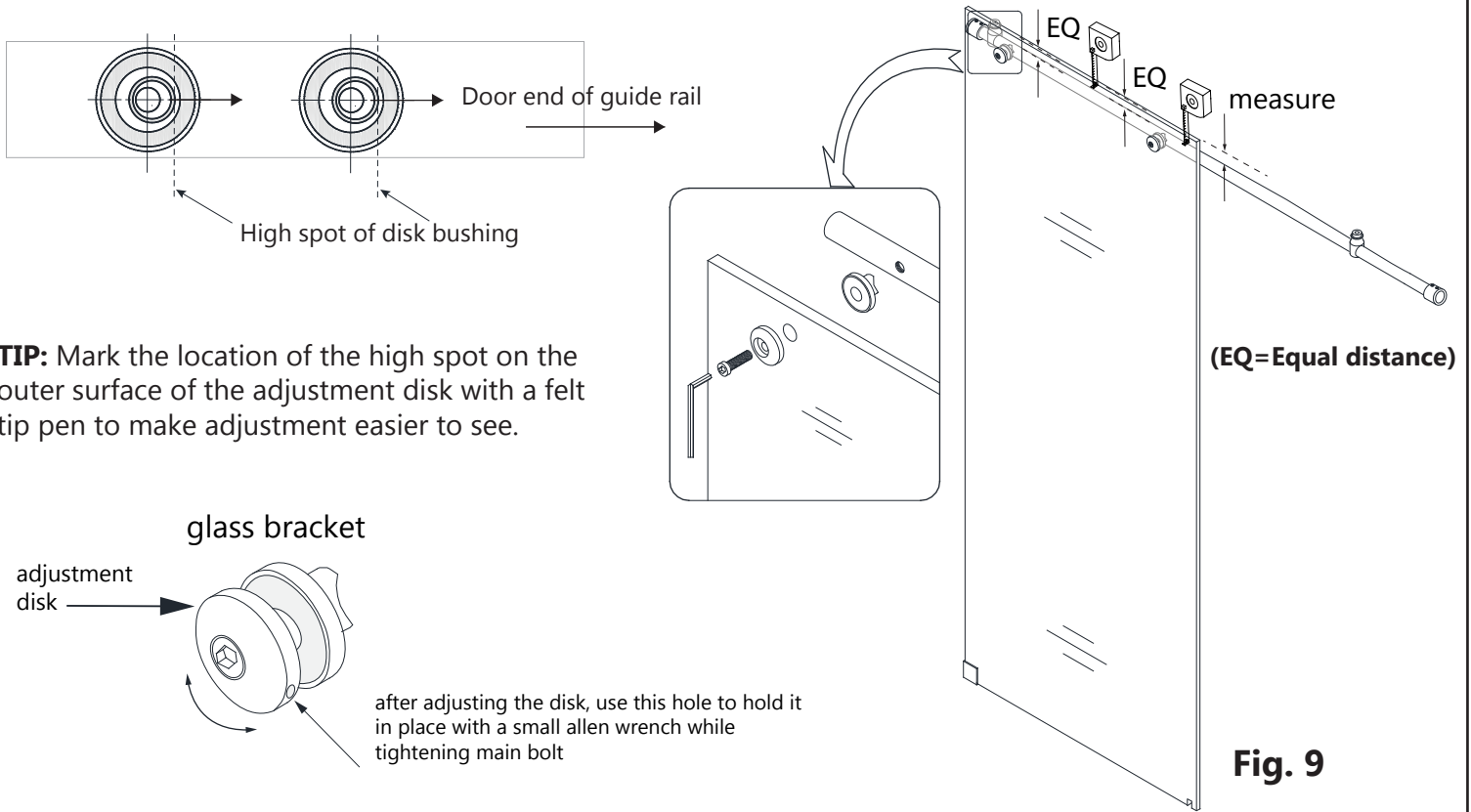
**FOR EXAMPLE:**

If the model width is 60" and the finished opening from the finished wall to the inside surface of the installed **Return Panel Glass (#22)** is 58", then you will need to cut 2" off of the rail:  
Example: 60" – 58" = 2" cut off length

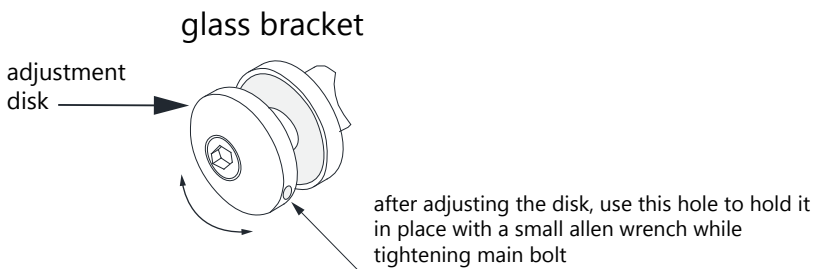
**\*Note that this is only an example and the actual cut-off length will vary based on the actual finished opening dimension.**

**9a.** Attach the **Upper Guide Rail (#03)** to the **Stationary Glass (#02)** with the **Glass Brackets (#07)** and tighten the bolts into the pre-drilled holes in the **Upper Guide Rail (#03)**. Make sure both adjustment disks are installed in the same direction with the high spot facing towards the door end (see **\*NOTE** below). Make sure the guide rail is attached parallel with the top edge of the stationary panel glass. (Fig. 9)

**\*NOTE:** The outer glass bracket disk has an eccentric bushing for adjustment. Be sure to install both glass bracket disks with the high spot of the bushing pointed toward the door end of the guide rail. See the detail of the disks below as viewed from inside prior to installing on the glass.



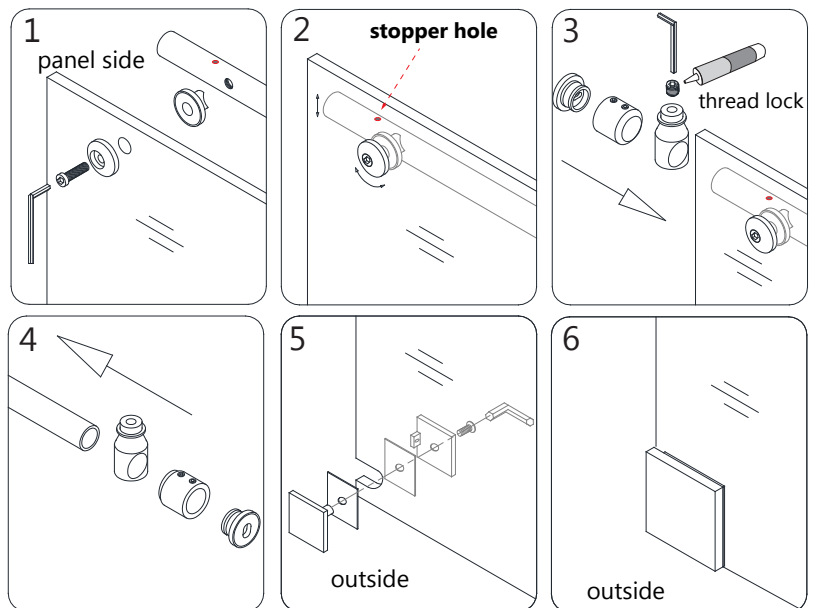
**TIP:** Mark the location of the high spot on the outer surface of the adjustment disk with a felt tip pen to make adjustment easier to see.



**9b.** Slide the **Door Stoppers (#01)** onto each end of the **Upper Guide Rail (#03)** and secure them using the **4mm Hex Wrench (#11)**.

**Install the panel-end stopper into the pre-drilled stopper hole in the Upper Guide Rail and apply Thread Lock (#20) to the set screw.**

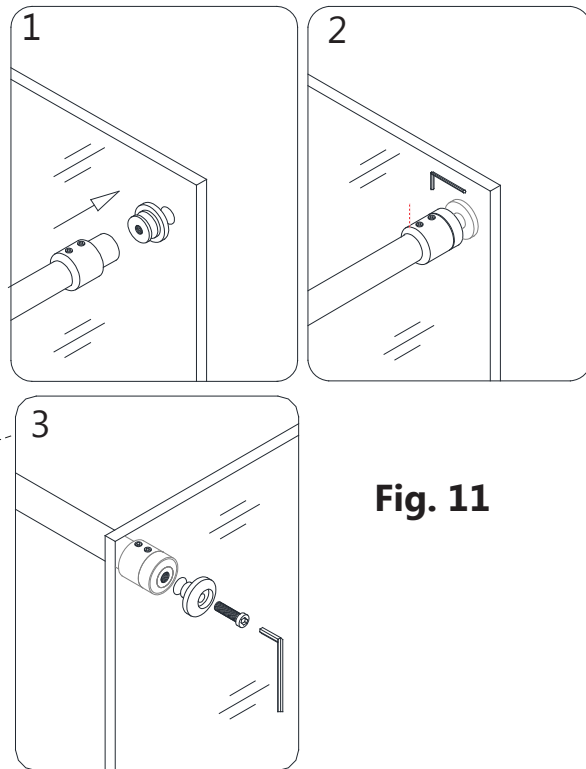
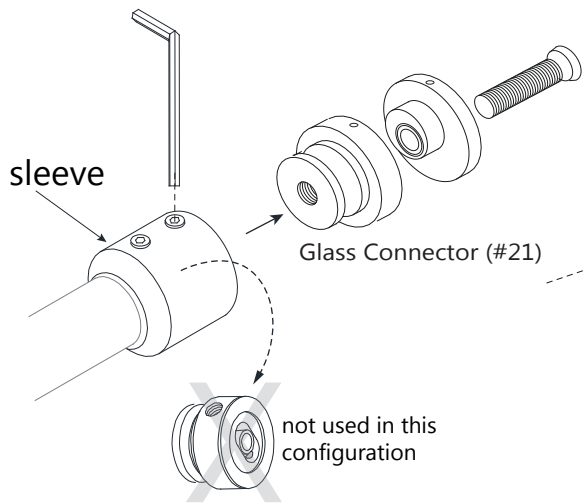
Install the door-end stopper approximately 4" from the end of the guide rail. (The door-end stopper position will be adjusted in a later step after the door glass is installed).



**Fig. 10**

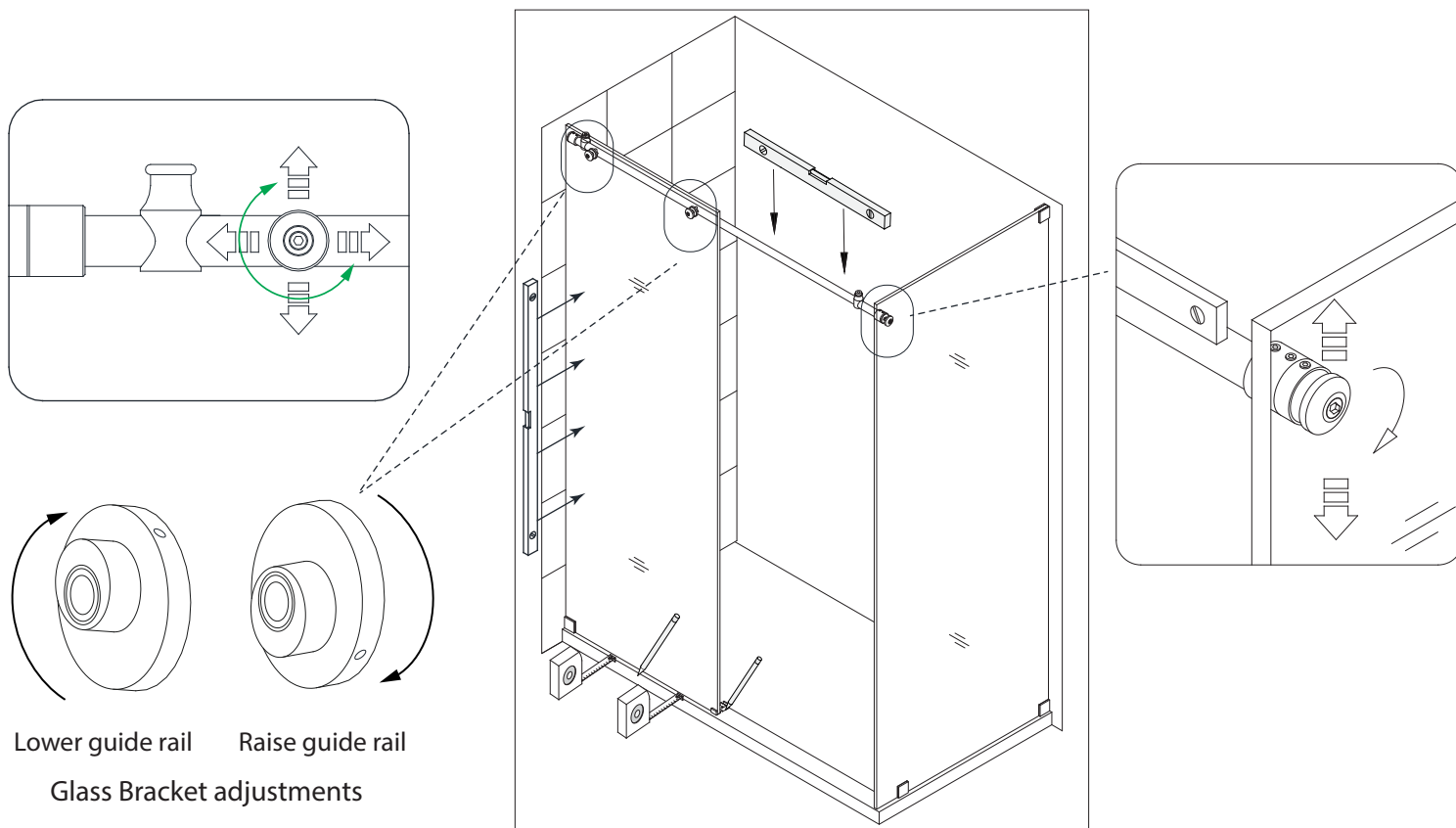
**9c.** Slide the **Guide Rail Brackets (#08)** onto each end of the **Upper Guide Rail (#03)** and secure them. Next, assemble the **Wall Bracket (#19)** onto the bottom corner of the **Stationary Glass (#02)** with the bolt facing into the shower as shown in **Fig. 10.5**. Use the supplied gaskets to protect the glass. (Fig. 9 and Fig. 10)

**10.** Place the **Stationary Glass (#02)** with the **Upper Guide Rail (#03)** onto the threshold and position it against the wall. Fasten the **Upper Guide Rail (#03)** to the **Return Panel Glass (#22)** using the **Glass Connector (#21)**. Tighten the set screws to secure the guide rail bracket sleeve to the **Glass Connector (#21)**. (**Fig. 11**)



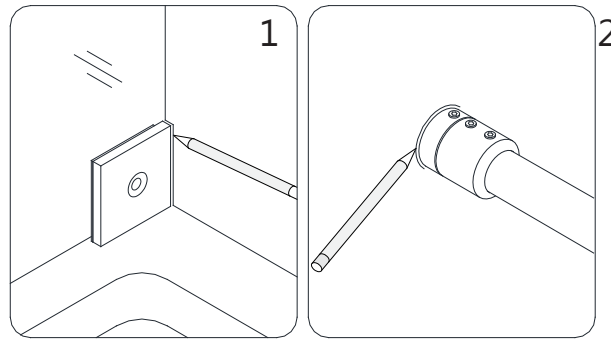
**Fig. 11**

**11.** Make sure the **Stationary Glass (#02)** is plumb and the **Guide Rail (#03)** is level. Adjust the **Guide Rail (#03)** to level by using the **Glass Connector (#21)** and **Glass Brackets (#07)**. If necessary, rotate the elliptical adjustment disk on the outside of the **Glass Bracket (#07)**, and then re-tighten the bolt while holding the adjustment disk in place. Dry fit the **Guide Block (#12)** into the notch of the **Stationary Glass (#02)** and mark its position on the threshold. (**Fig. 12**)



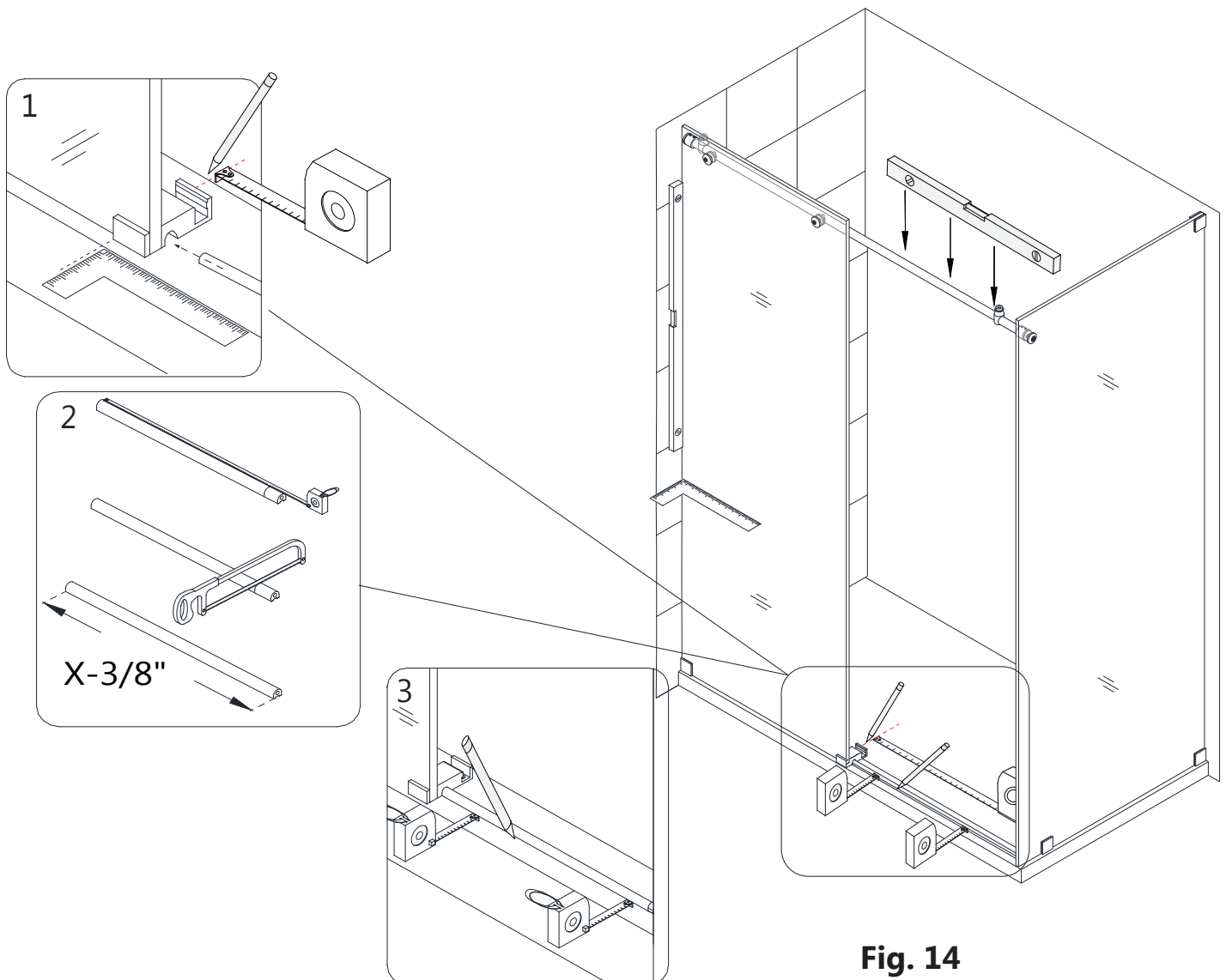
**Fig. 12**

**12.** Once the **Upper Guide Rail (#03)** is leveled, mark the position of the **Wall Bracket (#19)** and the **Guide Rail Bracket (#08)** on the wall. (**Fig. 13**)



**Fig. 13**

**13.** Mark the **Guide Block (#12)** position and the holes for drilling on the threshold. (Make sure the **Guide Block (#12)** is square to the **Stationary Glass (#02)**). Measure the distance from the **Return Panel Glass (#22)** to the far edge of the **Guide Block (#12)**. This distance will be "**X**". The **Anti-Splash Guard (#15)** will need to be cut to the size of: **X (-) 3/8"**. Insert the **Anti-Splash Guard (#15)** into the **Guide Block (#12)** and align the **Anti-Splash Guard (#15)** parallel to the front edge of the threshold and mark it. (**Fig. 14**)

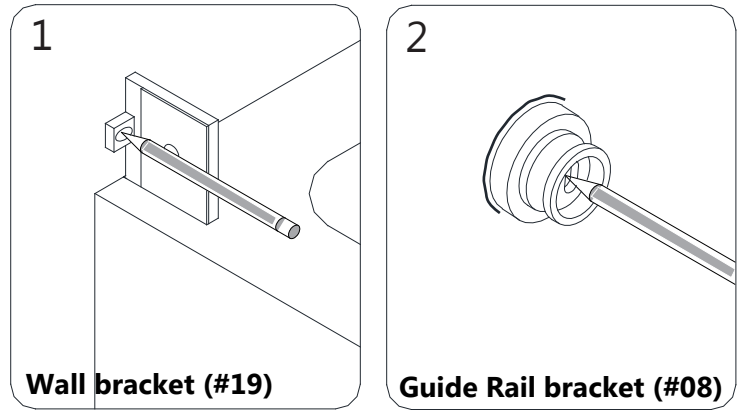


**Fig. 14**

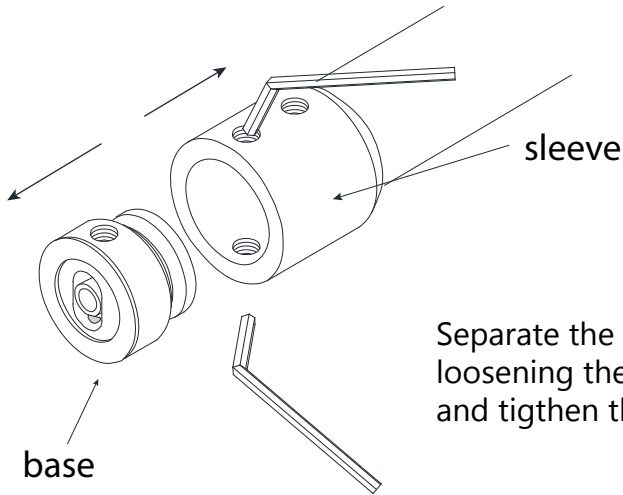


**14.** Carefully set the **Stationary Glass (#02)** and **Upper Guide Rail (#03)** aside, along with the **Guide Block (#12)** and **Anti-Splash Guard (#15)**.

Remove the **Guide Rail Brackets (#08)** from the **Upper Guide Rail (#03)** (as shown below) and the **Wall Bracket (#19)** from the **Stationary Glass (#02)**. Place the **Wall Bracket (#19)** and **Guide Rail Bracket (#08)** back to the outlined positions and mark the holes for drilling. **(Fig. 15)**



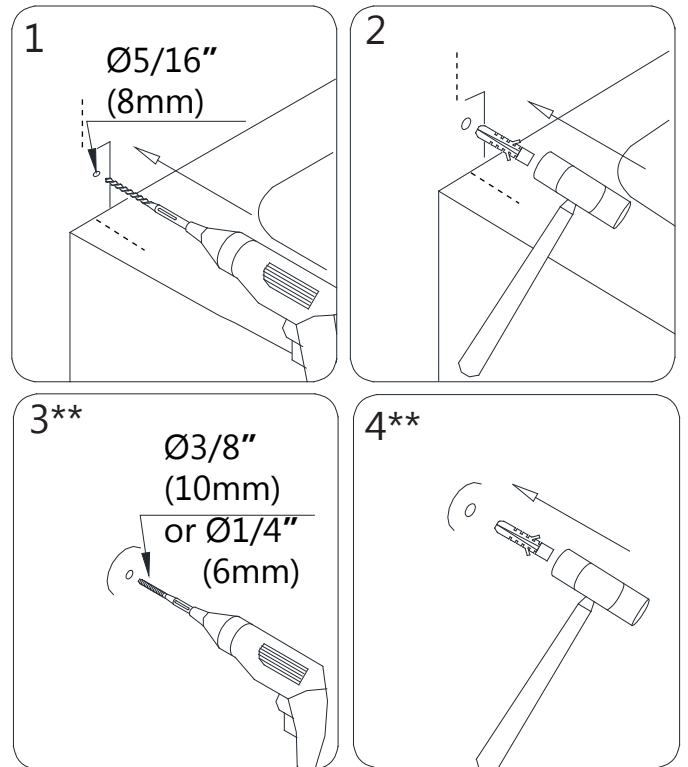
**Fig. 15**



Separate the **Guide Rail Bracket (#08)** sleeve from the base by loosening the set screws (leave the sleeve on the upper guide rail and tighten the set screws)

**15.** Drill the hole for the **Wall Bracket (#19)** using a **Ø5/16"** drill bit and insert the **Wall Anchors (#9b)** **(Fig. 16.1)**

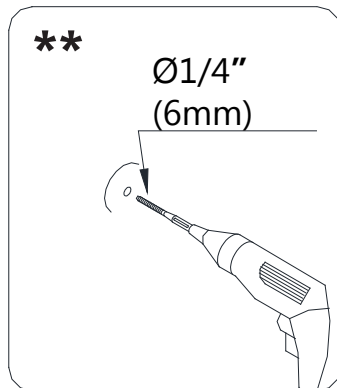
\*\*Drill the holes for the **Guide Rail Brackets (#08)** using a **Ø3/8"** drill bit and insert the **Wall Anchors (9a)**. **(Fig. 16)**



**Fig. 16**

**\*\*NOTE:** The manufacturer strongly recommends installing the guide rail brackets into studs or pre-installed 2"x 6" wood reinforcements behind the wall.

For installation into a stud, drill a **Ø1/4"** hole up to the stud and let the screw bore into the wood. Do not use the wall anchors.

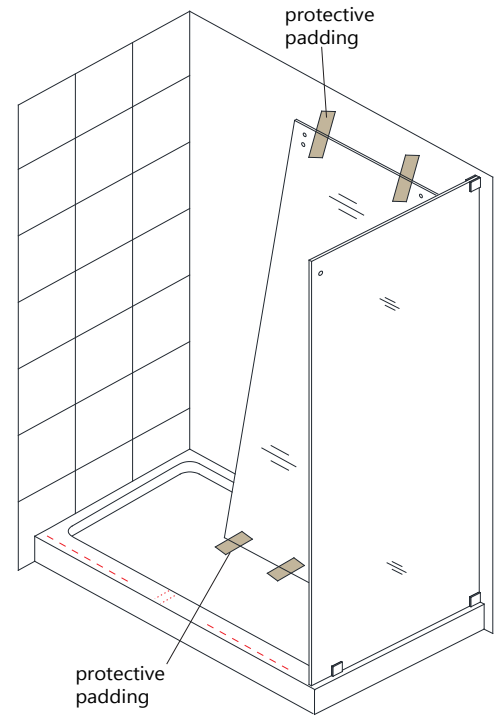




**NOTE:** Before you install the **Stationary Glass (#02)**, bring the **Door Glass (#05)** into the shower and lean it against the wall. Make sure the door is facing in the right direction for installation with the handle holes on the correct side. After the **Stationary Glass (#02)** is installed, it may not be possible to easily get the door glass into the shower or to turn it around. Always use padding to protect the door glass and shower surfaces.

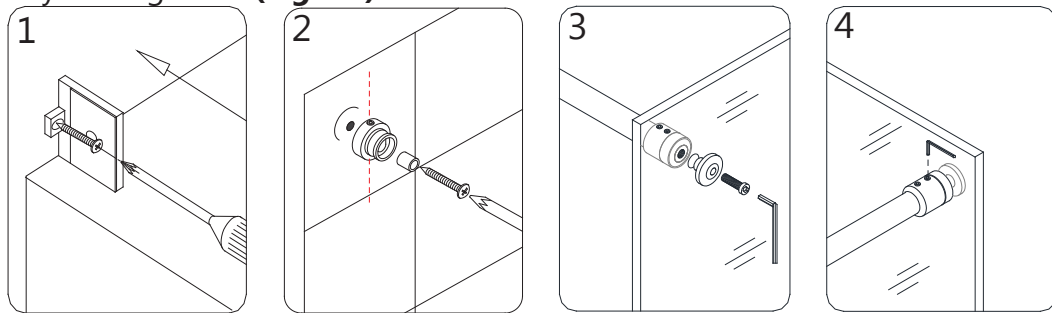
**NOTE: Do Not** attach the handle to the door glass until instructed.

**Do Not** attempt to lift the door glass with the handle as this may result in damage to the glass and/or serious personal injury. Use a professional grade glass suction cup and an assistant.



**16.** Fasten the **Wall Bracket (#19)** to the wall using the **Truss Head Screw ST4.2×55 (#18)**. (Fig. 17.1) Mount the base part of the **Guide Rail Bracket (#08)** to the wall using the **Large Truss Head Screw ST6×65 (#10)**. Note that the adjustment **Set Screws on the bracket must be aligned vertically** for easier access to adjust for level after the glass is installed. (Fig. 17)

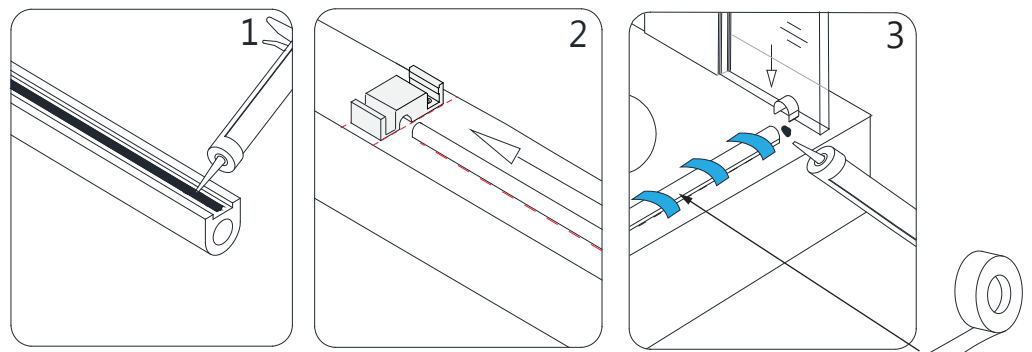
Fasten the **Upper Guide Rail (#03)** to the **Return Panel Glass (#22)**, connecting the sleeve of the **Guide Rail Bracket (#08)** to the **Glass Connector (#28)** (Fig. 17.3 and Fig. 17.4) on the return panel glass. Align the set screws vertically and tighten. (Fig. 17)



**Fig. 17**

**17.** Apply silicone to the bottom of the **Anti-Splash Guard (#15)** and the **Guide Block (#12)**. Insert one end of the **Anti-Splash Guard (#15)** fully into the **Guide Block (#12)** and align both pieces on the threshold using the marks made in **Step #13**.

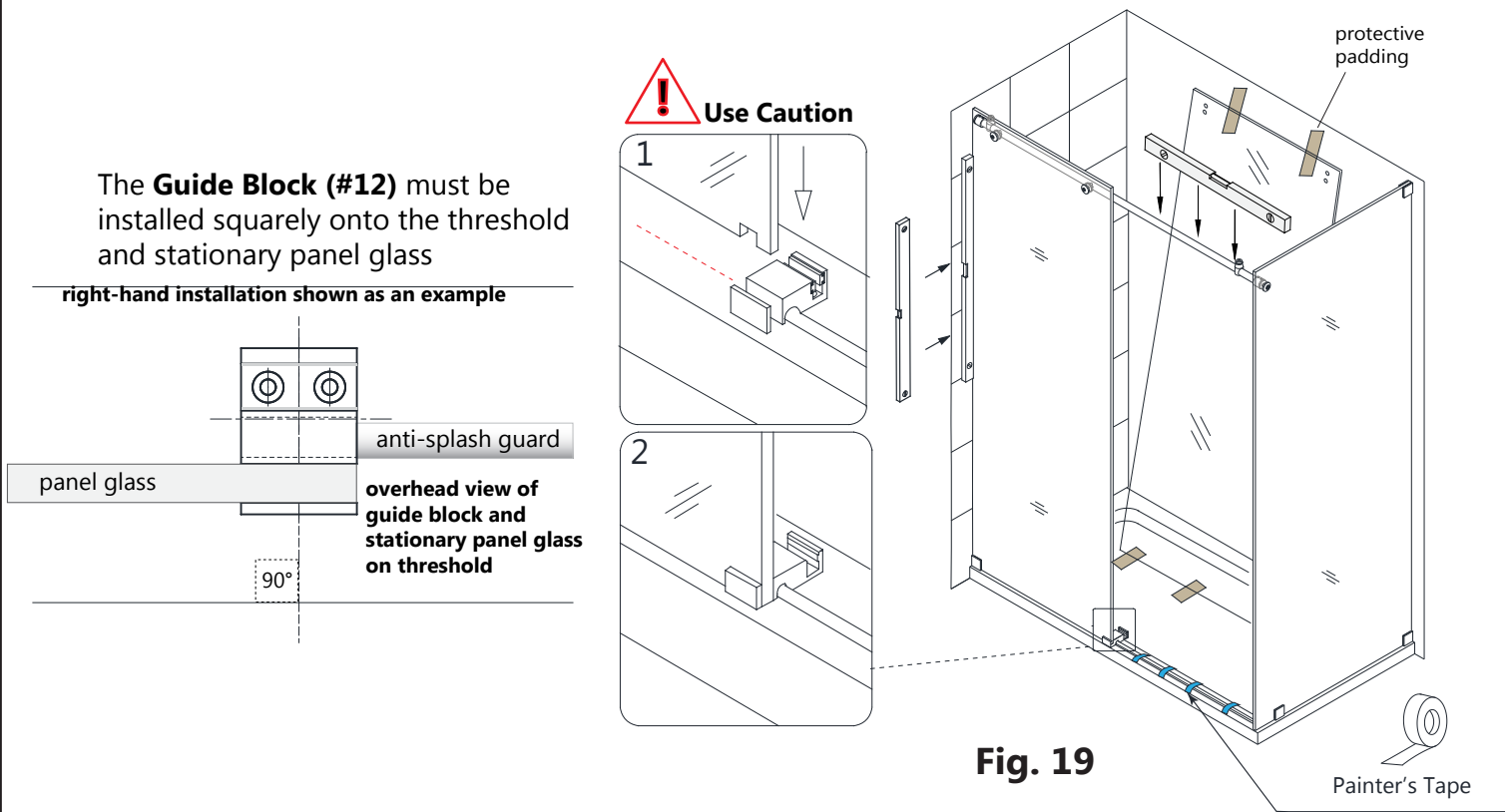
Apply silicone to the **Anti-Splash Guard Cap (#16)**, and place it at the wall end of the **Anti-Splash Guard (#15)**. Apply several strips of painter's tape to hold the **Anti-Splash Guard (#15) and Cap** in place while the silicone cures. (Fig. 18)



**Fig. 18**

Painter's Tape

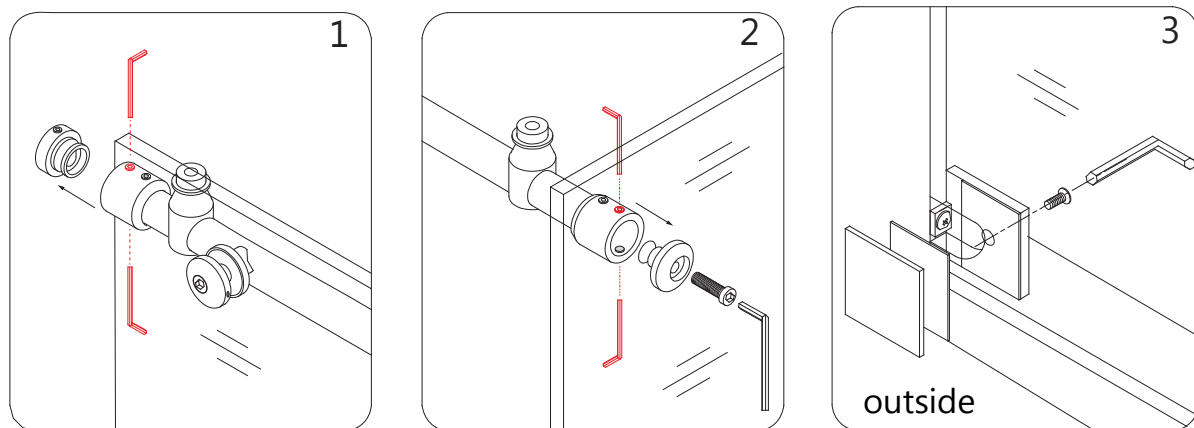
**18.** Carefully place the **Stationary Glass (#02)** with the **Upper Guide Rail (#03)** onto the threshold with the notch fitting into the **Guide Block (#12)**. Position the **Stationary Glass (#02)** against the wall. (Please note that the **Stationary Glass (#02)** installs on the outside and the **Upper Guide Rail (#03)** goes on the inside of the shower). **(Fig. 19)**



**19.** Re-position the **Stationary Glass (#02)** and **Upper Guide Rail (#03)** onto the threshold and fasten the sleeves of the **Guide Rail Brackets (#08)** to the bracket on the wall and to the **Glass Connector (#21)** on the **Return Panel Glass (#22)**.

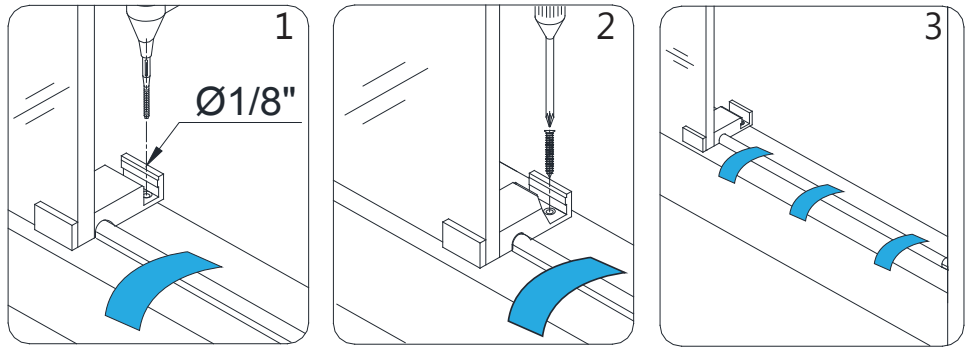
Tighten the set screws on the **Guide Rail Brackets (#08)** to secure the **Upper Guide Rail (#03)**. Make sure to position the bracket set screws so that they are accessible from the top and bottom. **(As shown in Step 16, Fig. 17).**

Assemble the **Wall Bracket (#19)** at the bottom corner of the **Stationary Glass (#02)**. Use the clear vinyl gasket between the glass and the metal parts to avoid contact with the glass, then tighten the bolt with the supplied allen wrench. **(Fig. 20)**



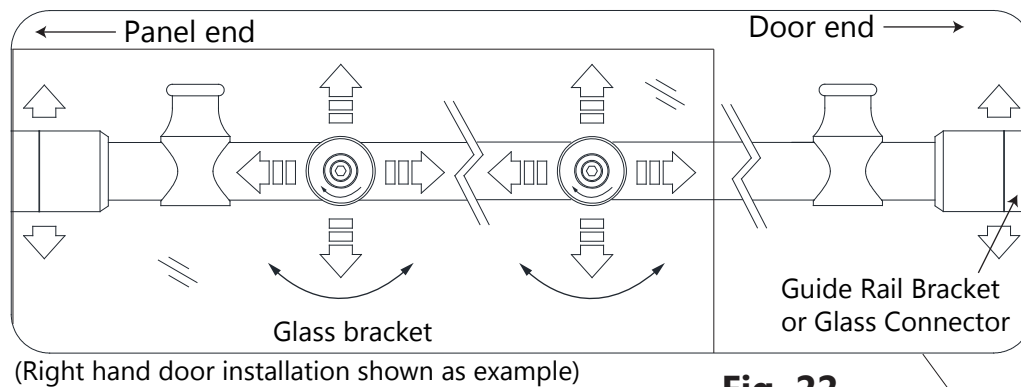
**Fig. 20**

**20.** Fasten the **Guide Block (#12)** to the threshold with the **Countersunk Screws ST4.2×25 (#17)**. (Fig. 21)



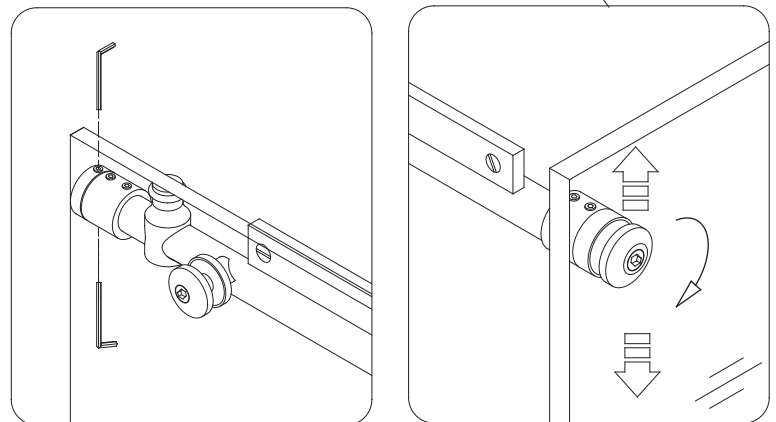
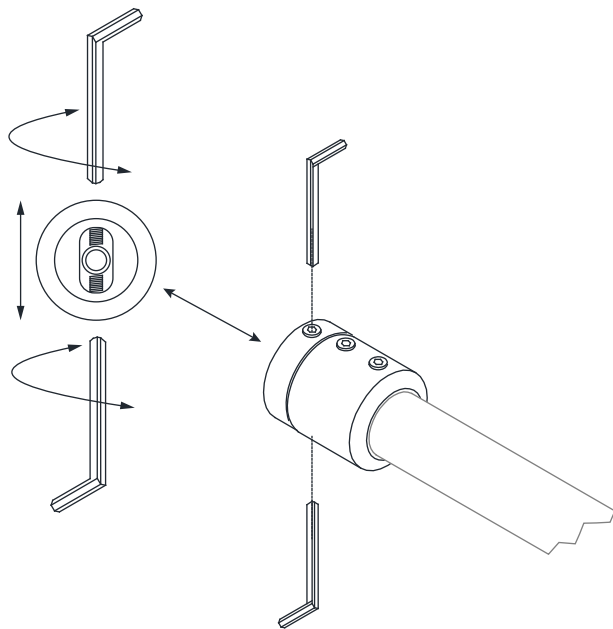
**Fig. 21**

**TIP:** Level the installed **Upper Guide Rail (#03)** as necessary using the **Guide Rail Brackets (#08)** first and then the **Glass Brackets (#07)**. Start adjustments from the door end. (Fig. 22 and Fig. 23)



**Fig. 22**

**NOTE:** Use the **Guide Rail Bracket (#08)** set screws and/or the **Glass Connector (#21)** to adjust the **Guide Rail (#03)** to level.



**Fig. 23**

**To lower the rail using the Guide Rail Bracket:**  
Loosen the top set screw and tighten the bottom set screw.

**To raise the rail:**  
Loosen the bottom set screw and tighten the top set screw.

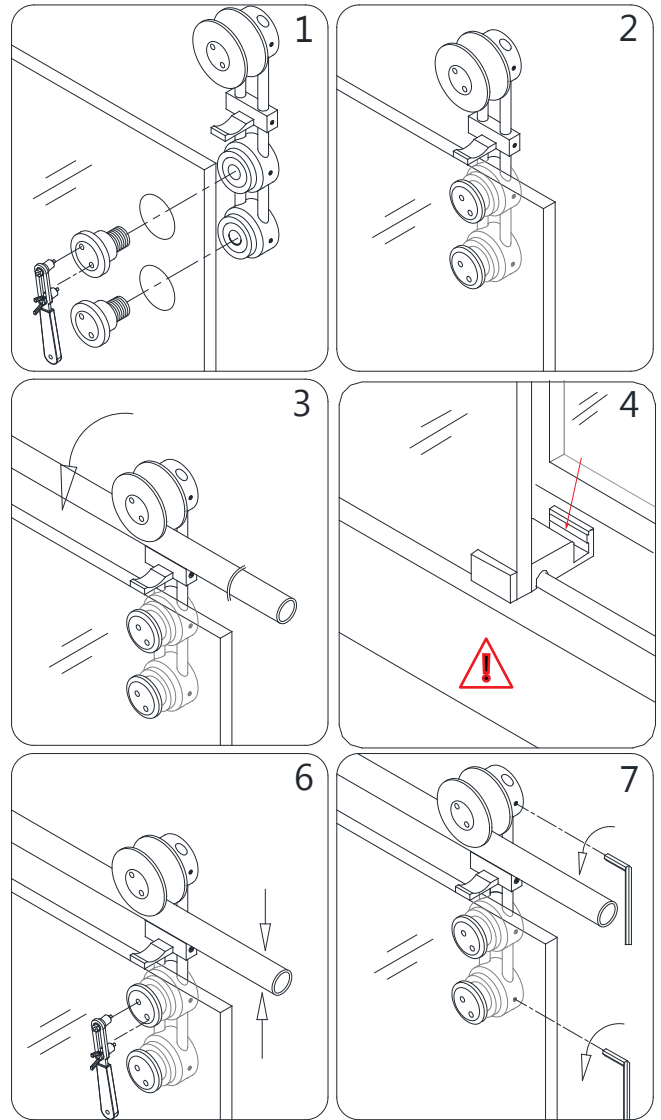
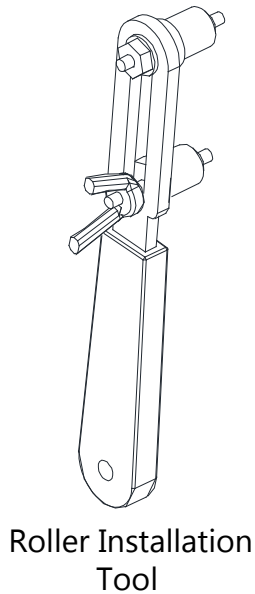
**To raise or lower the rail using the Glass Connector:**  
Loosen the bolt and rotate the disk then tighten the bolt.

**21.** Use the **Roller Installation Tool** to install the two **Roller Assemblies (#04)** onto the **Door Glass (#05)**. (Fig 24.1)

Suspend the door by hanging the **Roller Assemblies (#04)** onto the **Upper Guide Rail (#03)** and sliding the bottom edge of the **Door Glass (#05)** into the groove of the **Guide Block (#12)**.

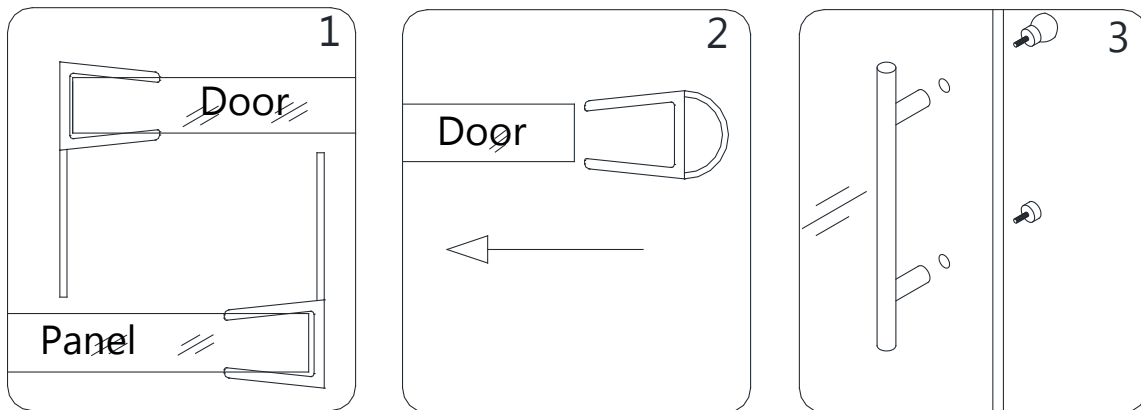
 **Be careful not to damage the bottom edge of the door glass during installation.**

(Fig. 24 and Fig. 25)



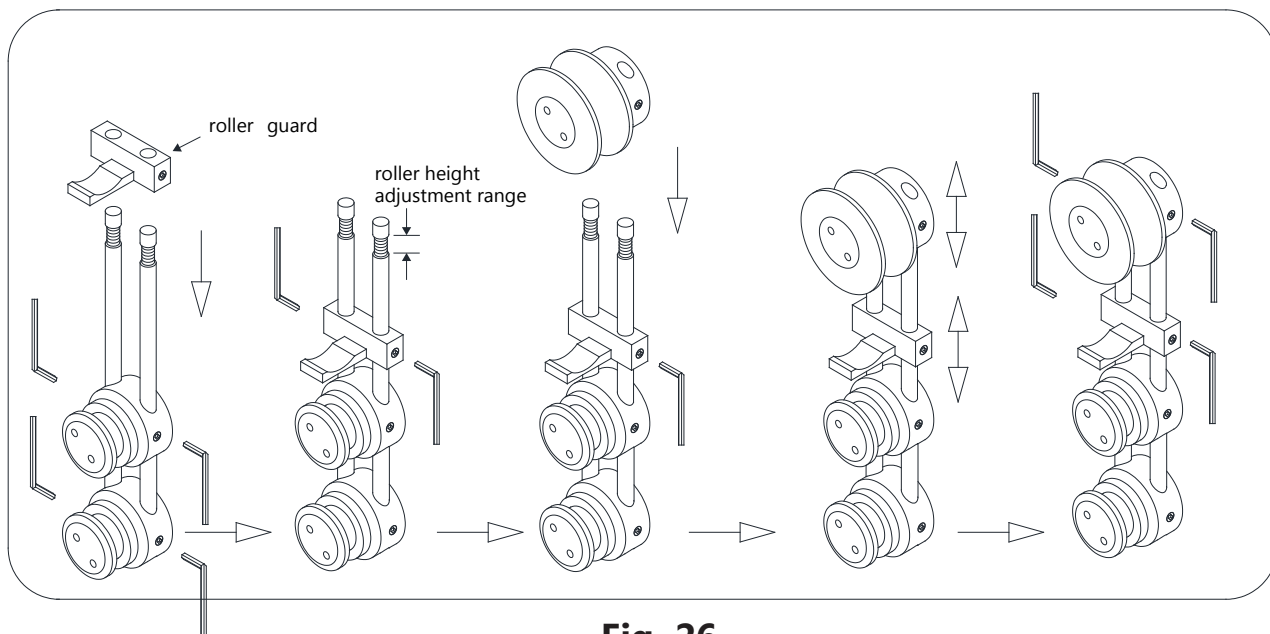
**Fig. 24**

**22.** Press the **Anti-Water Strip (#14)** on the vertical edges of the **Stationary Glass (#02)** and the **Door Glass (#05)**. Also press the **Bumper Seal Strip (#13)** onto the vertical edge of the **Door Glass (#05)**. Attach the **Handle (#06)** to the **Door Glass (#05)**. (Fig. 25)



**Fig. 25**

**23.** If necessary, the door glass can be adjusted to create a better seal with the wall. The **Bumper Seal Strip (#13)** must be installed on the Door Glass before making any adjustments. Use the set screws to raise or lower the wheels. **Fully Tighten all set screws after all adjustments are made.** (Fig. 26)



**Fig. 26**

**NOTE:** The door glass must be supported during this process. Use a 1/4" shim, a glass suction cup and an assistant. Adjust the tilt of the door glass as necessary by loosening the set screws on either side of the wheel. Raise or lower the wheel to the proper height and re-tighten the set screws. Only adjust one wheel at a time.

**TIP:** During door glass adjustment, you must support the door glass so that it does not make contact with the guide block. Leave approximately 1/8" of space between the bottom of the door glass and the guide block. Use a 1/4" shim on the threshold to prevent adjusting the door glass too low.

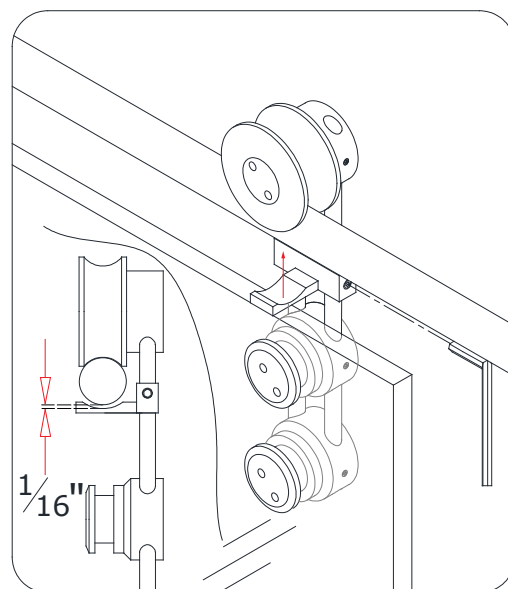


**24.** Position the **Roller Guards (#04)** on both **Roller Assemblies (#04)** to within **1/16"** of the **Upper Guide Rail (#03)** to ensure that the **Door Glass (#05)** is secure. (Fig. 27)



Add **Thread Lock (#20)** to the roller guard set screws to prevent them from loosening.

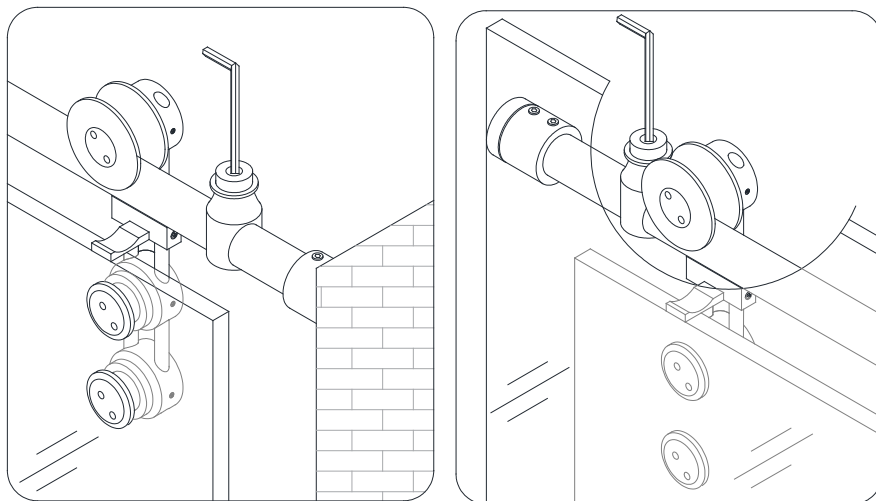
\*Roller guards must be tight and the distance beneath the guide rail should be 1/16".



**Fig. 27**

**25.** Adjust both **Door Stoppers (#01)** to ensure that they are positioned upright and the **Door Glass (#05)** is in its maximum opening and closing range. Apply **Thread Lock Adhesive (#20)** to the set screws and tighten the set screws to fasten them in place. **(Fig. 21)**

Adjust the **Roller Guards (Fig. 18)** on both **Roller Assemblies (#04)** to within 1/16" of the **Upper Guide Rail (#03)** to ensure that the **Door Glass (#05)** is secure. **(Fig. 28a and Fig. 28b)**



**Fig. 28a**

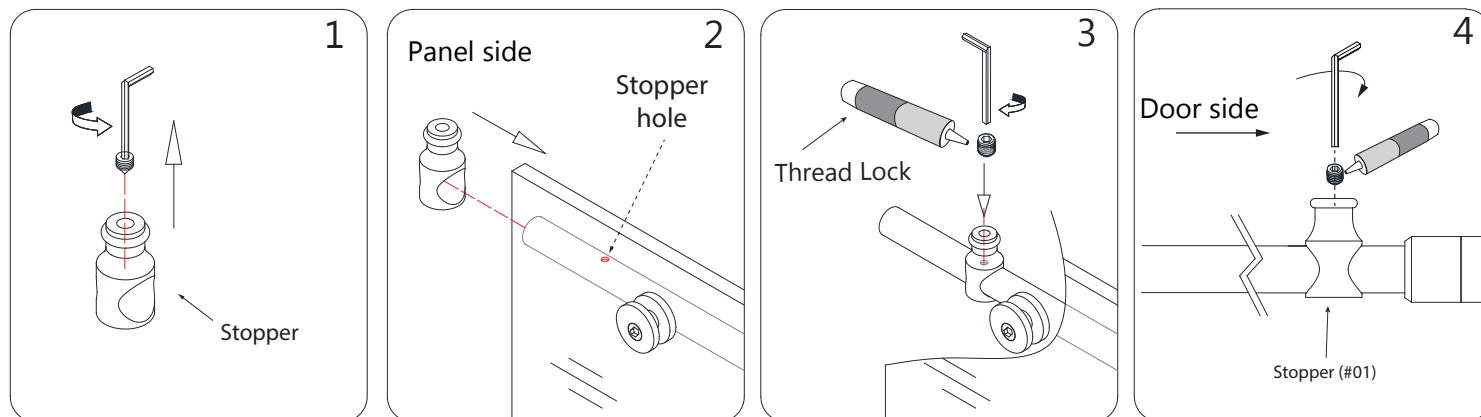


**NOTE:** The **Door Stoppers (#01)** must be positioned correctly to prevent the handle from contacting the **Stationary Glass (#02)** and to stop the **Door Glass (#05)** in a position that allows the bumper strip to create a seal with the return panel glass, but does not allow the door glass to bang into the return panel glass during normal operation. Observe the correct position of these stoppers and re-position if necessary.

### Door Stopper installation position:

1. Remove the set screw
2. Slide the **Door Stopper (#01)** onto the **Upper Guide Rail (#03)**
3. Align with stopper hole in the **Upper Guide Rail (#03)** (stationary panel side only)
4. Apply **Thread Lock Adhesive (#20)** to the set screw threads
5. Tighten screw into the stopper hole (stationary panel side only)
6. Correctly position the door side stopper and tighten the set screw with **Thread Lock Adhesive (#20)**

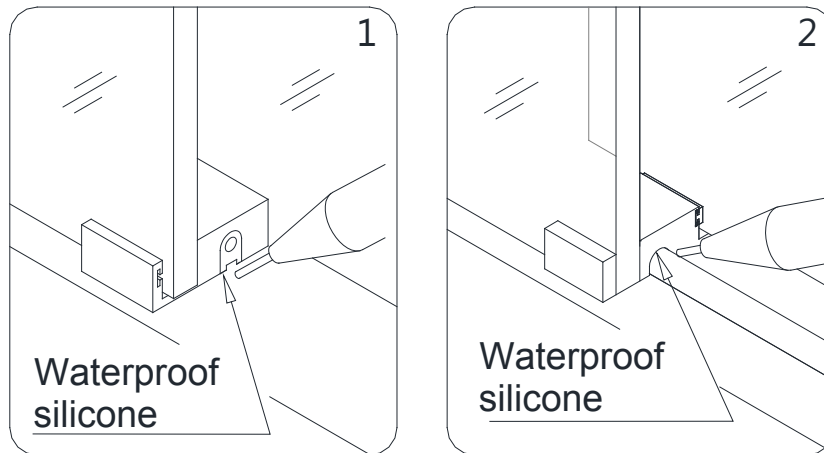
**(Fig. 28b)**



**Fig. 28b**

(Right-hand door installation shown as example)

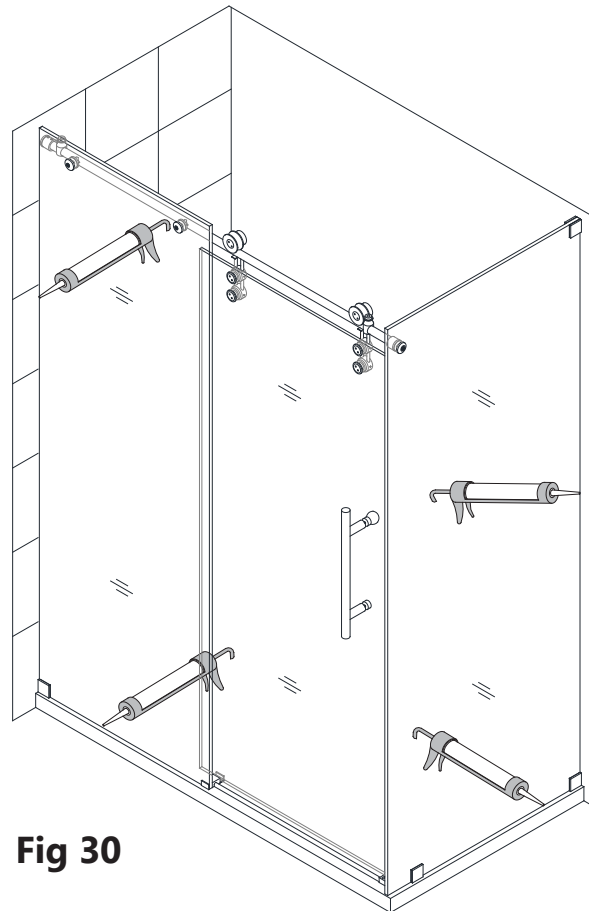
**26.** Apply Waterproof silicone at both ends of the **Anti-Splash Guard (#15)**, around the **Guide Block (#12)** and around the **Anti-Splash Guard Cap (#16)**. (**Fig. 29**)



**Fig. 29**

**27.** Apply a good quality mildew-resistant silicone sealant along the connection of the panel glass with the wall and the threshold. (**Fig. 30**)

**Allow 24 hours for the silicone to fully cure.**



**Fig 30**



Do Not hang or drape a towel or washcloth over the Enigma guide rail as this may cause the roller wheels to get stuck and possibly cause serious damage or injury.



## Product Maintenance

**BASES and BACKWALLS:** To ensure long lasting life for your acrylic back walls: wipe them off after each use with a soft cloth. To clean the acrylic back walls use non-abrasive sprays or cream based cleaners. Avoid the use of aerosol spray cleaners. Never use abrasive cleansers, metal brushes or scrapers that could scratch or dull the surface.

**GLASS:** To ensure long lasting life for your glass shower products: wipe them off after each use with a soft cloth. Rinse and wipe off the glass using either a soft cloth or a squeegee to prevent soap buildup and water spots (Hard water can etch the surface of the glass over time if left to dry). To prevent scratching the surface: never use abrasive cleaners or cleaning products that contain scouring agents. Never use bristle brushes or abrasive sponges that may scratch the surface.

**HARDWARE:** To ensure a long lasting finish: wipe off the metal parts after each use with a soft cloth. Do not use abrasive cleaners or cleaning products containing ammonia, bleach or acid. If accidentally used, rinse the surface as soon as possible to prevent damage to the finish (peeling or corrosion). After cleaning the polished finishes, rinse thoroughly and wipe dry with soft cloth. Clean stainless steel surfaces at least once a week. When applying stainless steel cleaner or polish to stainless steel hardware, work with (not across) the grain. Never use an abrasive sponge or cloth, steel wool or wired brush as these may permanently scratch the surfaces.

**NOTE: To maximize the life of your door, it is important to regularly inspect the glass and other hardware for misalignment, proper attachment, and/or damage. Contact DreamLine® with any questions or concerns.**



TEL: 866-731-2244  
FAX: 866-857-3638  
DREAMLINE.COM

For more information on DreamLine<sup>®</sup> Shower Doors and Enclosures please visit **DreamLine.com**