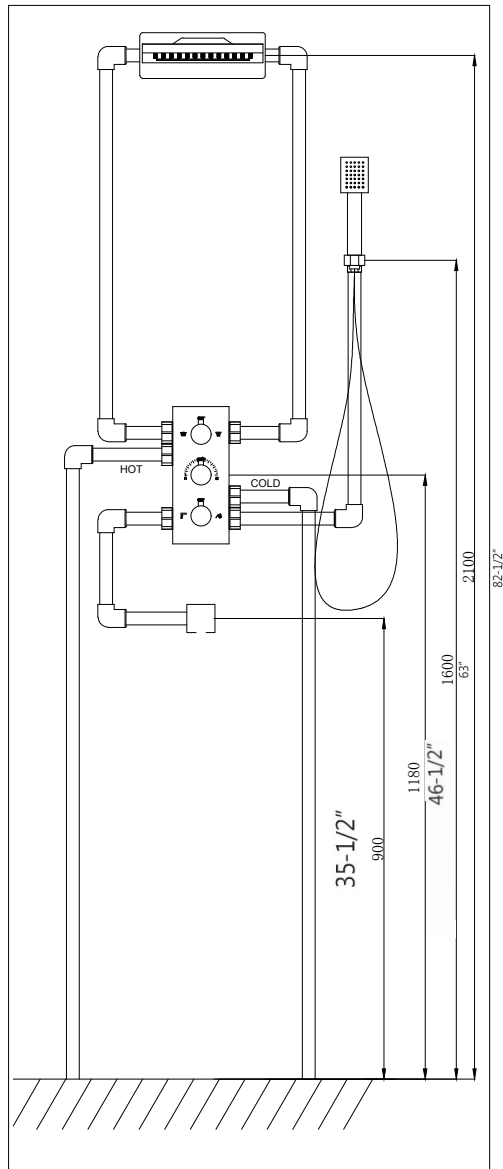


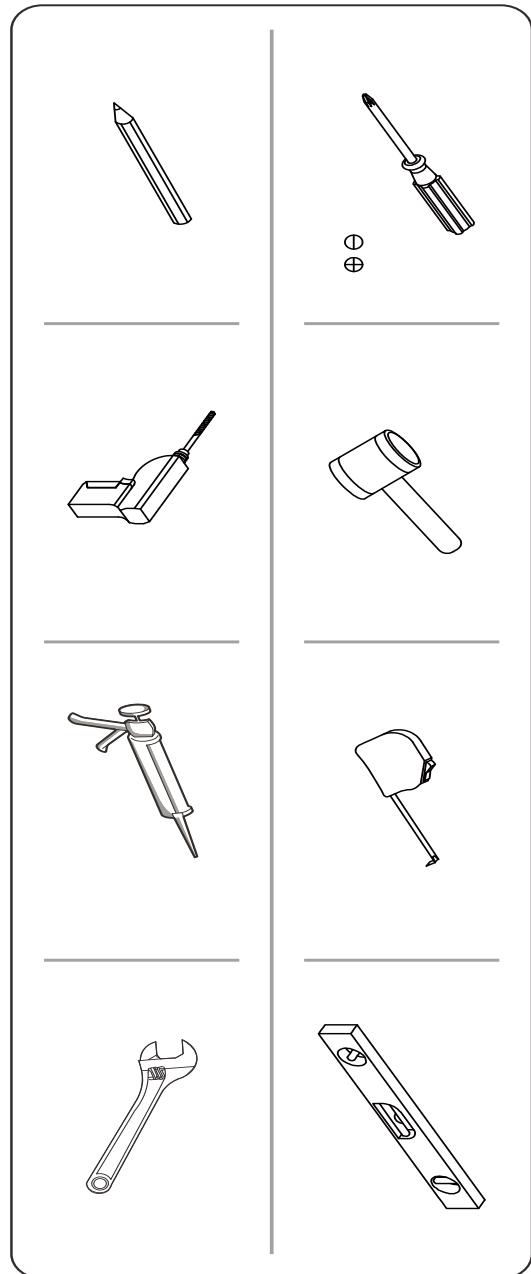
# INSTALLATION INSTRUCTIONS

## 4-Function Concealed Thermostatic Mixer Valve

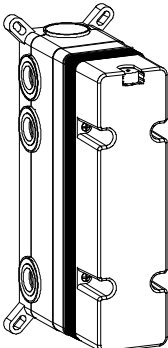
### Plumbing Schematic:



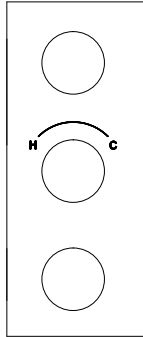
### Tools Needed



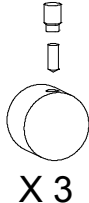
**A**



**B**




**C**

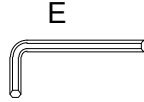


X 3

**D**

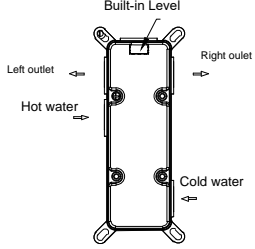


**E**



**Parts List:**

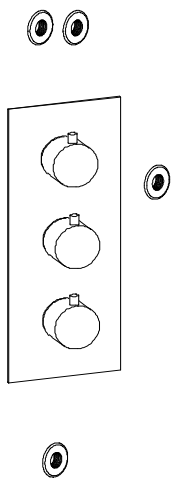
- Mixer Valve body
- Panel
- Spare parts package



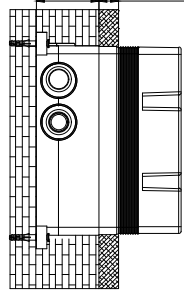
Left outlet  
Hot water  
Right outlet  
Cold water

Built-in Level

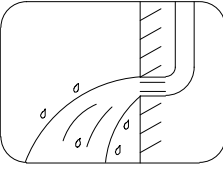
Hidden joints for the upper and lower water outlets must line up with the installed plumbing.



Wall Depth: 2-1/2" (63MM)      Tile thickness range: 3/4"-1-3/8" (20-35mm)

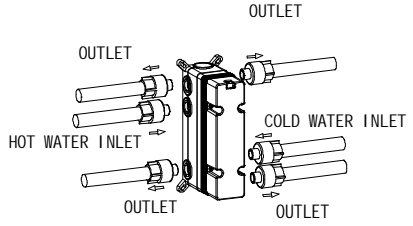


**1**



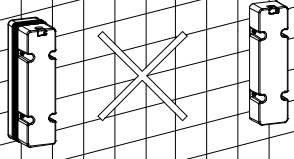
1. The recessed part of the decorative surface should not exceed the adjustable size line. The thickness of the wall should be within the range of 20-35mm.

**2** Correctly connect all hot and cold water pipes.

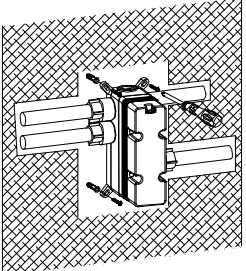


OUTLET  
HOT WATER INLET  
COLD WATER INLET  
OUTLET

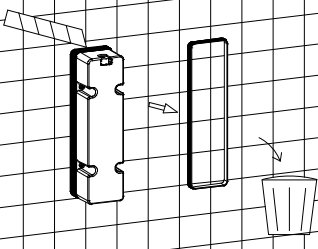
**3** Pay attention to the dimensions provided above. The recessed part of the decorative surface should not exceed the adjustable size line. The thickness of the wall should be within the range of 20-35mm.



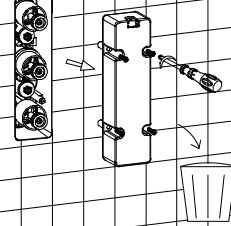
**4** Upon the installation, please open the installation box cover and carefully check the connection of the hot and cold water pipes.



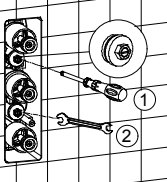
**5** Cut off any excess protective plastic casing beyond the decorative surface and dispose of it.



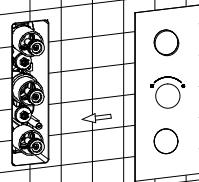
**6** Remove the installation box cover and dispose of it.



**7** For future maintenance purposes, shut-off valves are provided on the mixer valve.

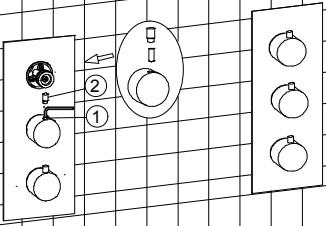


**8** Install the decorative plate.

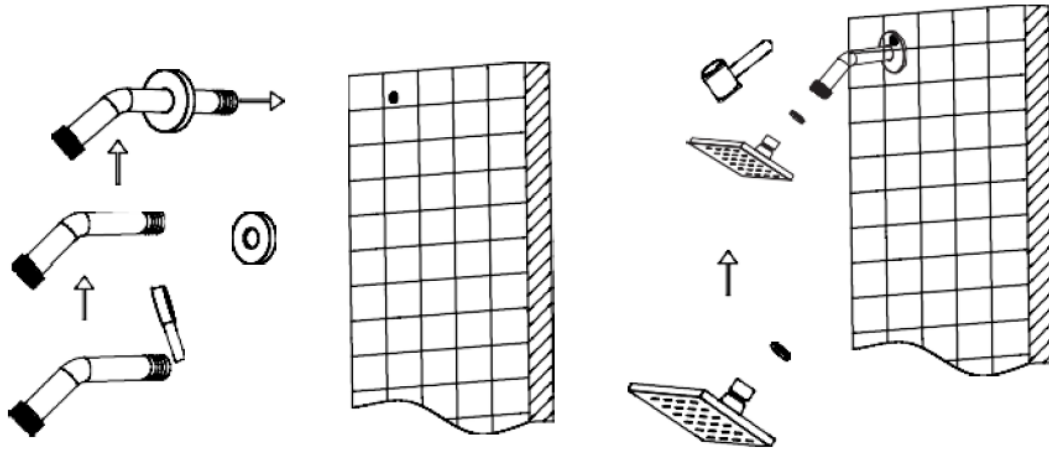


**9**

- Install and tighten the handle.
- Screw the rod into the handle.



## Shower Arm and Shower Head:



1. Apply teflon tape or thread sealant to the threads on the shower arm, then thread it into the prepared fitting in the wall. Protect the finish on the arm with a cloth while tightening with a wrench.

### INSTALLATION TOOLS YOU MAY NEED



Teflon Tape



Thread Sealant

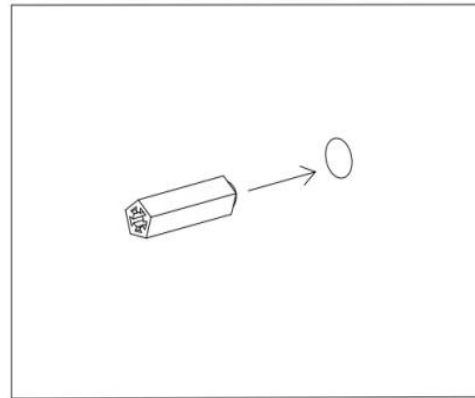
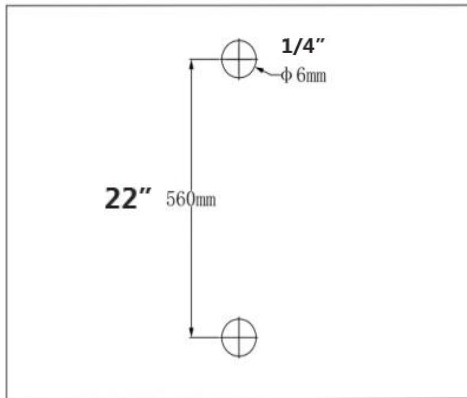
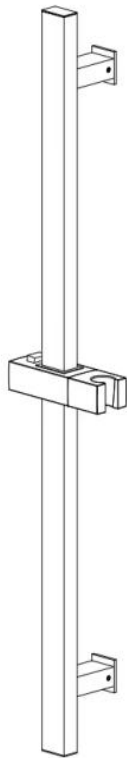


Adjustable  
Wrench



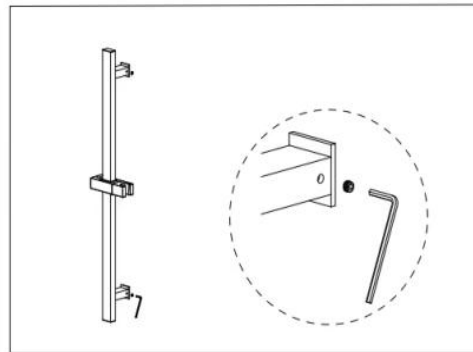
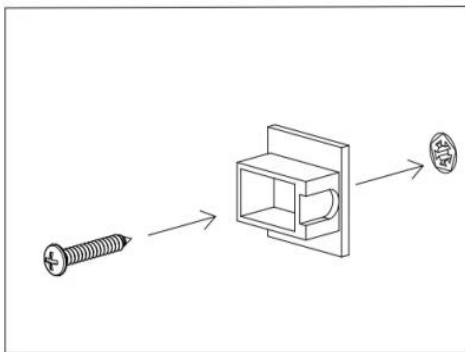
Strap Wrench

# INSTALLATION MANUAL



1. Measure and mark pre-installation holes on the wall, with a distance of 22" (560mm) between the two holes. Drill the holes using a 1/4" (6mm) drill bit.

2. Insert wall anchors.

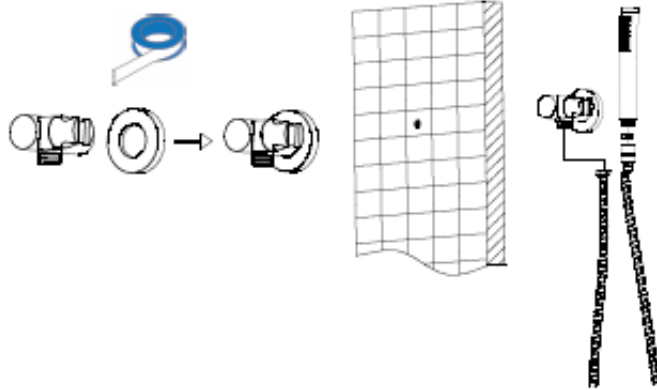


3. Attach the wall brackets using the self-tapping screws, and make sure to align the notches in the wall brackets as shown.

4. Install the telescopic rod and tighten the set screws with an Allen wrench to complete the installation.

## INSTALLATION INSTRUCTIONS

### Elbow and Hand Showers



1. Apply teflon tape or thread sealant to the hand shower's water supply elbow, thread it into the female fitting. Tighten using a wrench or strap wrench.
2. Connect the elbow and hand shower to the shower hose.

Note: Turn the main water supply on and test the completed shower system. Make sure there are no leaks and that all functions are working properly.

## INSTALLATION TOOLS YOU MAY NEED



Teflon Tape



Thread Sealant



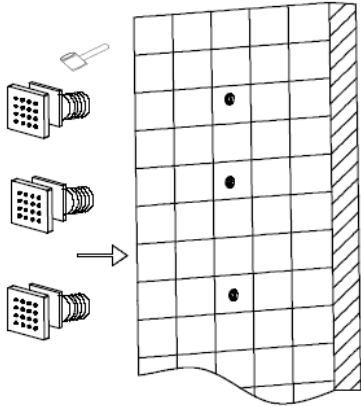
Adjustable  
Wrench



Strap Wrench

# INSTALLATION STEPS

## Body Jets



1. Install each of the body jets by threading them into the prepared female fittings. Be sure to use the decorative escutcheons to conceal the rough-ins. Apply teflon tape or thread sealant to the threads before tightening.

## INSTALLATION TOOLS YOU MAY NEED



Teflon Tape



Thread Sealant



Adjustable  
Wrench



Strap Wrench