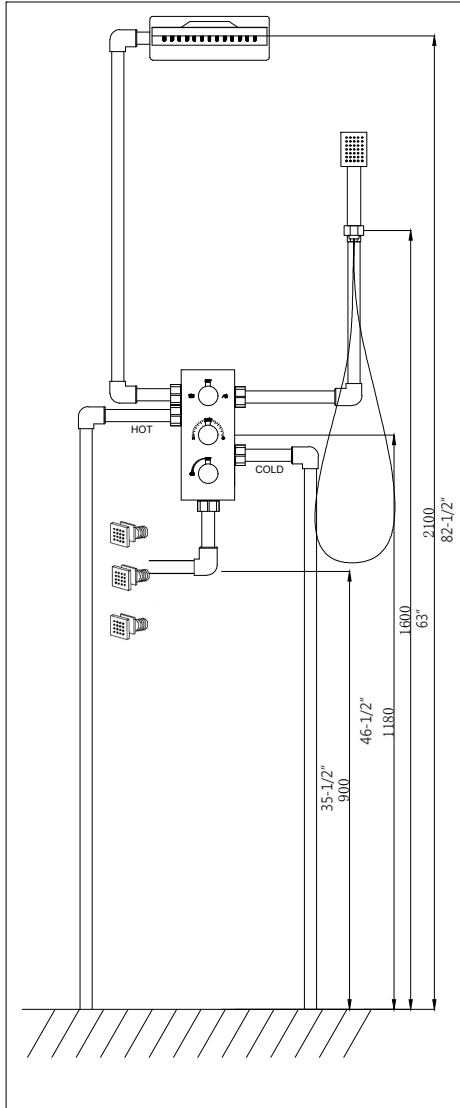


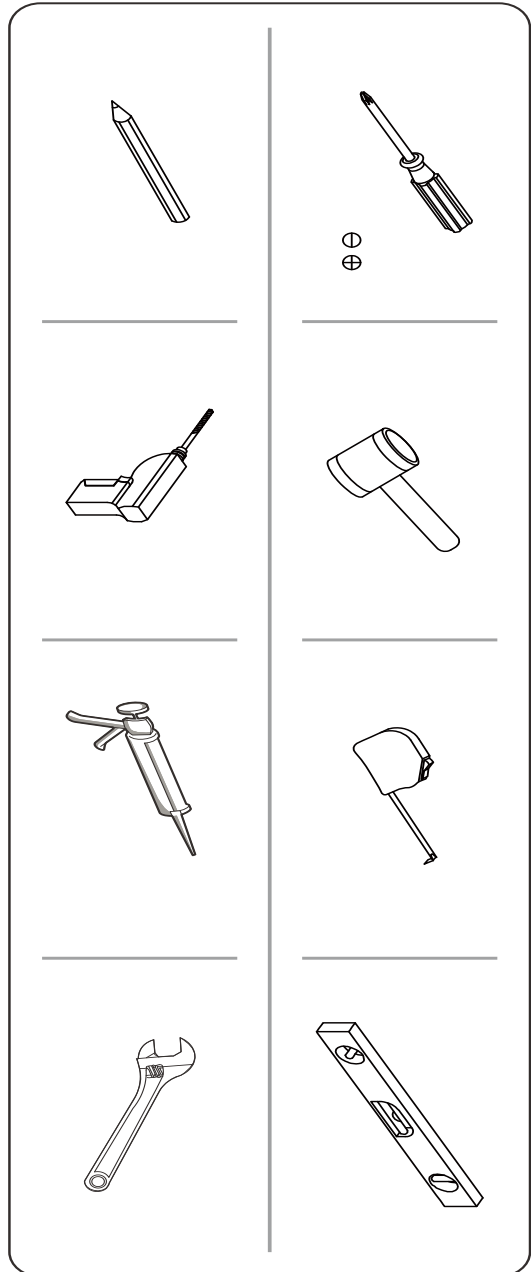
INSTALLATION

Suit for 3 functions concealed thermostatic faucets:

Pipes connecting:



PREINSTALL TOOLS



A

B

C

X 3

D

E

Product List

1. Faucet body
2. Panel
3. Spare parts package

Hidden joints for the upper and lower water outlets must line up with the installed plumbing.

1 Flush the pipelines

1. Turn the handle to the 'H' position and run water for 1-2 minutes to flush the pipes.

2 Correctly connect all hot and cold water pipes.

3 Pay attention to the dimensions provided above. The recessed part of the decorative surface should not exceed the adjustable size line. The thickness of the wall should be within the range of 20-35mm.

4 Turn the handle to the 'H' position and run water for 1-2 minutes to flush the pipes.

Turn the handle to the 'H' position and run water for 1-2 minutes to flush the pipes.

5 Cut off any excess protective plastic casing beyond the decorative surface and dispose of it.

6 Remove the installation box cover and dispose of it.

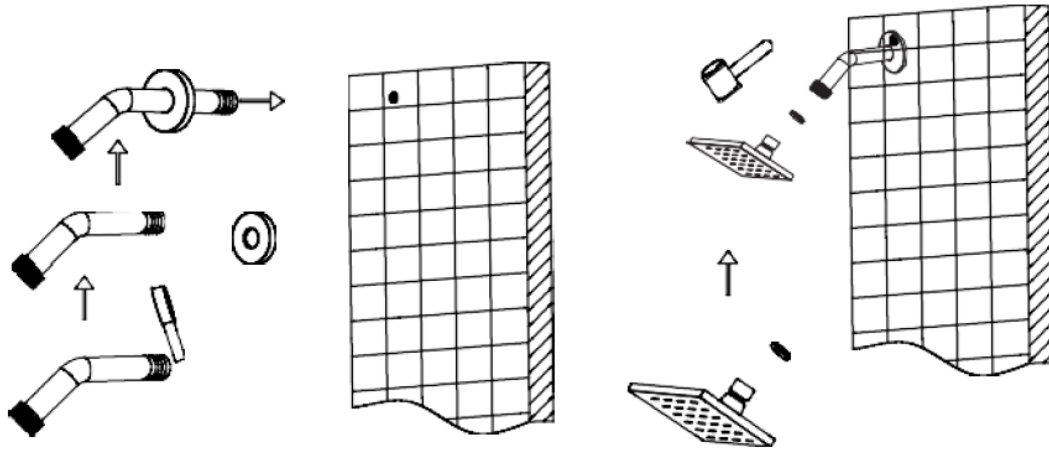
7 For future maintenance purposes, shut-off valves are provided on the mixer valve.

8 Install the decorative plate.

9

1. Install and tighten the handle.
2. Screw the rod into the handle.

Shower Arm and Shower Head:



1. Apply teflon tape or thread sealant to the threads on the shower arm, then thread it into the prepared fitting in the wall. Protect the finish on the arm with a cloth while tightening with a wrench.

INSTALLATION TOOLS YOU MAY NEED



Teflon Tape



Thread Sealant



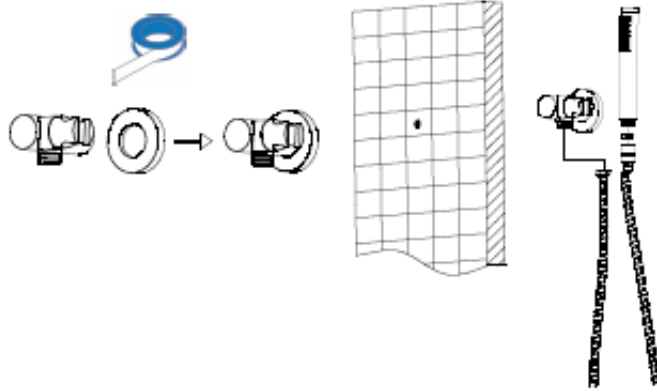
Adjustable Wrench



Strap Wrench

INSTALLATION INSTRUCTIONS

Elbow and Hand Showers



1. Apply teflon tape or thread sealant to the hand shower's water supply elbow, thread it into the female fitting. Tighten using a wrench or strap wrench.
2. Connect the elbow and hand shower to the shower hose.

Note: Turn the main water supply on and test the completed shower system. Make sure there are no leaks and that all functions are working properly.

INSTALLATION TOOLS YOU MAY NEED



Teflon Tape



Thread Sealant

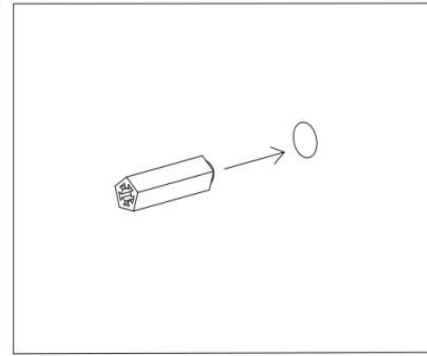
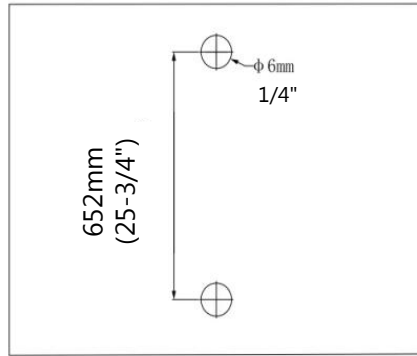


Adjustable
Wrench



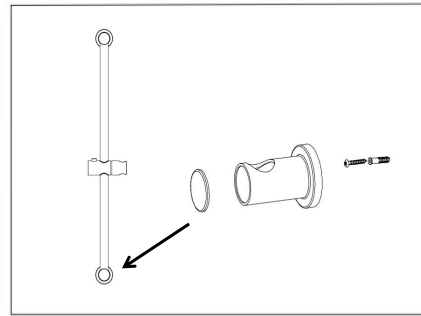
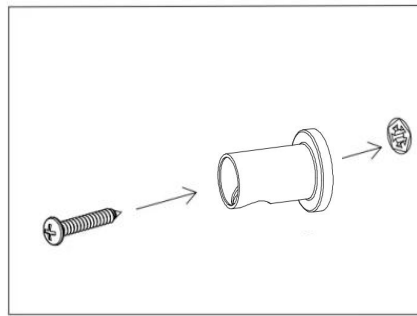
Strap Wrench

INSTALLATION



1. Measure and mark pre-installation holes on the wall, with a distance of 652mm (25-3/4") between the two holes. Drill the holes using a 6mm (1/4") drill bit.

2. Insert anchors

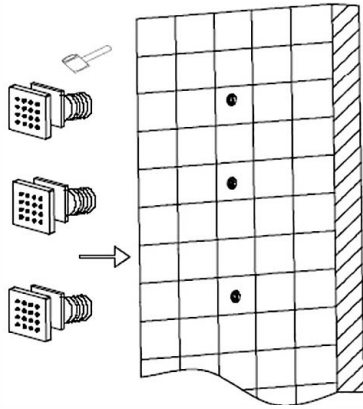


3. Attach the top wall bracket using self-tapping screws, and make sure the notch in the wall bracket faces down.

4. With the bottom wall bracket facing up, install the telescopic rod. Tighten the set screw on the cradle with an Allen wrench to complete the installation.

INSTALLATION STEPS

Body Jets



1. Install each of the body jets by threading them into the prepared female fittings. Be sure to use the decorative escutcheons to conceal the rough-ins. Apply teflon tape or thread sealant to the threads before tightening.

INSTALLATION TOOLS YOU MAY NEED



Teflon Tape



Thread Sealant



Adjustable Wrench



Strap Wrench